

## FT-059 LED

2-functional LED clearance lamp

### lamps **FUNCTIONS:**

- clearance light

Depending on the light color:

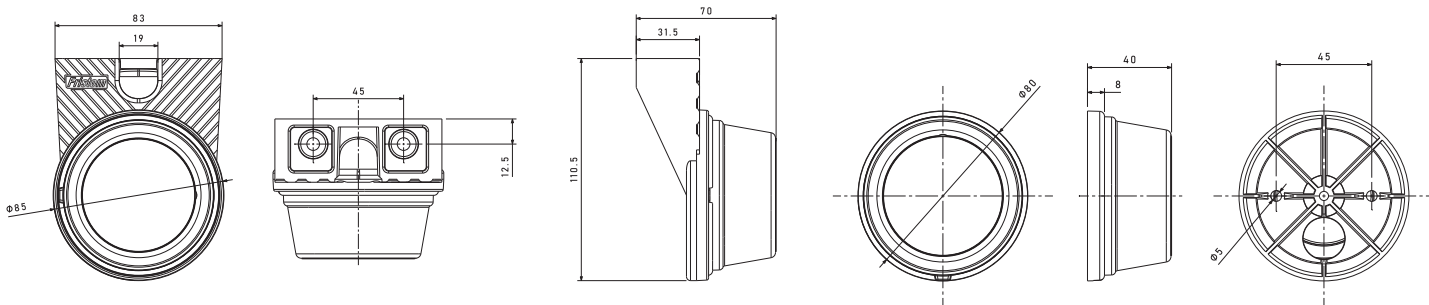
- front clearance light with reflector
- rear clearance light with reflector
- side clearance light with reflector

**Power consumption:**

- 12V/24V = 0.04A/0.04A

**Power consumption / Rated power:**

- 12V/24V = 0.5W/1W



<b>FT-059 B LED</b>	Clearance Lamp LED 12-36V, white with reflector and a loom 0,5m.
<b>FT-059 B LED QS075</b>	Clearance Lamp LED 12-36V, white with reflector a loom length 0,5m and connector QS075.
<b>FT-059 C LED</b>	Clearance Lamp LED 12-36V, RED with reflector and a loom 0,5m.
<b>FT-059 C LED QS075</b>	Clearance Lamp LED 12-36V, RED with reflector a loom length 0,5m and connector QS075.
<b>FT-059 Z LED</b>	Clearance Lamp LED 12-36V, YELLOW with reflector and a loom 0,5m.
<b>FT-059 Z LED QS075</b>	Clearance Lamp LED 12-36V, YELLOW with reflector a loom length 0,5m and connector QS075.
<b>FT-059 B+K LED</b>	Clearance Lamp LED 12-36V, white with reflector and an angle holder, cable 0,5m.
<b>FT-059 B+K LED QS075</b>	Clearance Lamp LED 12-36V, white with reflector and an angle holder, cable 0,5m and connector QS075.
<b>FT-059 C+K LED</b>	Clearance Lamp LED 12-36V, red with reflector and an angle holder, cable 0,5m.
<b>FT-059 C+K LED QS075</b>	Clearance Lamp LED 12-36V, red with reflector and an angle holder, cable 0,5m and connector QS075.
<b>FT-059 Z+K LED</b>	Clearance Lamp LED 12-36V, yellow with reflector and an angle holder, cable 0,5m.
<b>FT-059 Z+K LED QS075</b>	Clearance Lamp LED 12-36V, yellow with reflector and an angle holder, cable 0,5m and connector QS075.