



Fristom



AUTOMOTIVE LIGHTING
MANUFACTURER

2024



VEHICLE LIGHTING MANUFACTURER

PRODUCT CATALOGUE

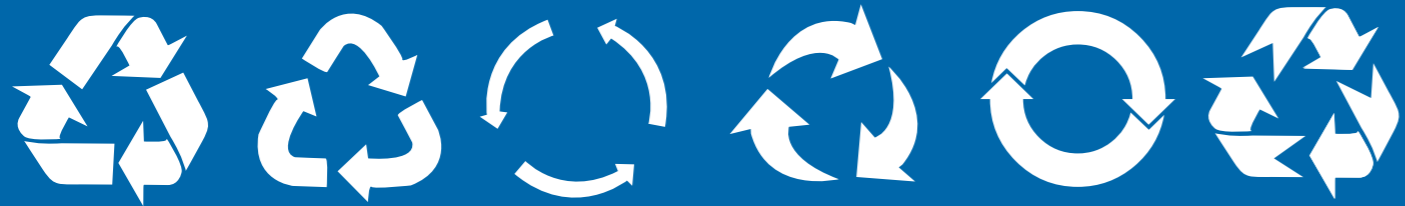
... all you need is light

... all you need is light



FRISTOM Spółka z o.o. Sp. k. is a Company with family traditions, dealing with the production of lighting and electrical harnesses for the Automotive industry. The beginnings of the Company date back to the previous generation, and under the present name “**FRISTOM Spółka z o.o. Sp. k.**” it has been present on the market since **1995**. Through the years we have been constantly improving the quality of our products, and expanding our portfolio and sales range. All the activities we undertake are performed with passion. Our main goal is to provide comprehensive service, and ensure customer satisfaction, by designing, manufacturing, and marketing, the highest-quality lamps. Our products are successfully used in heavy transport, logistics, forwarding, agriculture, and private vehicles. Our main customers are wholesalers and distribution networks, as well as trailer and semi-trailer manufacturers in this country and abroad. The machines and equipment we use are **the absolute best in the Automotive industry**. There is no cutting corners with us, and **we treat each product exceptionally** – it will one day reach the end user, who must be satisfied with it. Therefore, we use not only the best materials, but also the most perfect and modern machines in their production. They provide not only **excellent quality** but also **reliability in the manufactured products**. In order to completely eliminate errors and damage, to increase the efficiency, and therefore the competitiveness, of our Company, we constantly rely on full automation of production. It is thanks to all this that we deliver excellent and reliable products. The quality of our products and work is confirmed by the ISO 9001:2015 certificate





Nowadays, climate care and gradually depleting energy sources have become a great challenge for us. Let's start with ourselves - this is very simple. One way is to use LED technology. This is one of the easiest things we can do for the environment. So, what are the characteristic features of modern LED lighting?

- energy efficiency – consumes 85% less energy than a conventional light bulb
- longer service life – operating times range from 60,000 to 80,000 hours (thanks to such a long service life we reduce the production of so-called electro-waste)
- increased visibility – thanks to this we can reduce the number of street lamps - the lighting from our vehicle is enough
- significant reduction in CO₂ production – LED lighting does not generate heat at all; moreover, substances such as mercury are not used in its production
- simpler and cheaper disposal.

Next time you buy lighting equipment, think about whether you want to help our planet.



... all you need is light



GLOBAL PRESENCE
FRISTOM is present in key markets all around the world, with multiple distribution points.












- SOUTH AFRICA
- ANGOLA
- AUSTRALIA
- AUSTRIA
- BELARUS
- BELGIUM
- BOSNIA AND HERZEGOVINA
- BRAZIL
- BULGARIA
- CHILE
- CHINA
- CROATIA
- CYPRUS
- CZECH REPUBLIC
- DENMARK
- ESTONIA
- FINLAND
- FRANCE
- GREECE
- SPAIN
- INDIA
- IRELAND
- ISRAEL
- JAPAN
- JORDAN
- CANADA
- KAZAKHSTAN
- KYRGYZSTAN
- KOREA, DEMOCRATIC PEOPLE'S REPUBLIC OF
- LIBYA
- LITHUANIA
- LUXEMBOURG
- LATVIA
- MALTA
- MOROCCO
- MEXICO
- MOLDOVA
- NETHERLANDS
- GERMANY
- NORWAY
- NEW ZEALAND
- POLAND
- PORTUGAL
- RUSSIA
- ROMANIA
- SERBIA AND MONTENEGRO
- SLOVAKIA
- SLOVENIA
- UNITED STATES OF AMERICA
- SWITZERLAND
- SWEDEN
- TÜRKIYE
- UKRAINE
- UZBEKISTAN
- HUNGARY
- UNITED KINGDOM
- ITALY



LED WARNING LIGHTS	12 – 23
LED WORK LAMPS	26 – 37
LED DAYTIME RUNNING LAMPS	38 – 39
LED REAR LAMPS	40 – 77
REAR LAMPS BULB VERSION	78 – 83
LED THIRD BREAK LIGHT (STOP)	86 – 87
LED CLEARANCE LAMPS	88 – 146
CLEARANCE LAMPS BULB VERSION	147
LED REVERSING LAMPS	148 – 155
REVERSING LAMPS BULB VERSION	156 – 157
LED FOG LAMPS	158 – 165
FOG LAMPS BULB VERSION	166
LED NUMBER PLATE LIGHT	167 – 177
NUMBER PLATE LIGHT BULB VERSION	178
LED INTERIOR LIGHTING	179 – 185
LED INDICATORS / INDICATORS BULB VERSION	186 – 189
REFLECTORS	190 – 195
ACCESSORIES	196 – 201

SIGN EXPLANATION

 Sidelight	 Indicator	 Number plate light
 Fog light	 Stop light	 LED diode light source
 Reversing light	 Clearance light	 Reflector

ATTENTION!

Please send your orders by e-mail at
bstaniaszek@fristom.com.pl, wtomczak@fristom.com.pl, rcardona@fristom.com.pl, mjanus@fristom.com.pl
 For further information concerning our order policy see "About us" bookmark on our website.

FT-700 LED



... all you need is light



LED WARNING Lights

Yellow light warning lights are intended for garbage trucks, roadside assistance, slurry trucks, combine harvesters, agricultural tractors, road rollers. **Blue beacons** are mandatory equipment of emergency vehicles, such as ambulances, police cars, fire engines or prisoner transport vehicles.

LED warning lamp

FT-210/210 C/210 N LED



Directional **XA1** warning light lamps are equipped with 3 pcs of **OSRAM**'s extremely efficient LEDs. Thanks to the lamp's double lens system, the light emitted by the diodes is focused and pointed in the correct direction. Thanks to this, the light signal will be visible even during difficult weather conditions, at night or during the day. The task of the FRISTOM warning lamp is, above all, to improve road safety, which is why the lamp's efficiency is at an unprecedented level. The lamp makes use of several fully approved warning flashes, which can be changed in a simple and user-friendly way. In addition, all lamps in the FT-210 series are equipped with two groups of synchronisation, so that the light signals emitted by the vehicle are organised and friendly to the observer. **The synchronisation system is compatible with the FT-200 series lamps, which allows them to be connected together.**

The lamp housing is made of impact-resistant material, and in combination with a lampshade made of polycarbonate (PC) creates a product that is extremely durable and resistant to mechanical damage, shocks, as well as moisture, all certified with appropriate certificates. The high reliability, modern shape and compact design of the lamp make this product widely used in modern special-purpose vehicles, e.g. for transporting large-size loads, vehicles participating in repairs and road construction, road assistance, as well as in refuse collection vehicles.

TECHNICAL SPECIFICATION:

- 3 LED **OSRAM** diodes
- supply voltage: **12–36V DC**
- **Power consumption: 12V/24V/ Peak power consumption: 0.3A/0.15A**
- **Power consumption: 12V/24V/ Peak power consumption: 0.6A/0.34A (FT-210 C LED)**
- **Rated power: (Peak) = 4 W**
- **Rated power: (Peak) = 8 W (FT-210 C LED)**
- **ECE no.65 (XA1)** lamps homologation
- Flash frequency: **f = 2.0 Hz** (single, double, triple flash)
- **EMC R10** Certificate
- fully waterproof (**IP68**)
- shock resistance - **IK**
- Operating temperature: **-40 °C to +55 °C**
- reverse polarity protection system
- **GROUND** – white wire; **PLUS** – black wire
- **SYNCHRONIZATION** – yellow wire

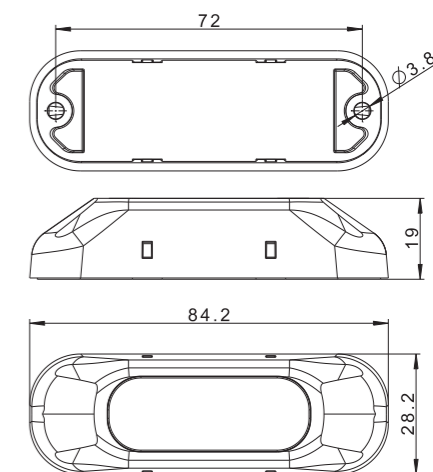
FT-210 LED



FT-210 C LED



FT-210 N LED



ID/EAN	Photo	Description	Unit pack		Multipack / carton			Multipack / pallet		
			qty.	kg	qty.	cm	kg	qty.	cm	kg
FT-210 LED 5907556013872		Yellow LED warning beacon, cable's length 0.25 m.	1	0,048	550	59x39x29	26,40	11000	120x80x165	553,00
FT-210 C LED 5907556029361		Red LED warning beacon, cable's length 0.25 m.	1	0,048	550	59x39x29	26,40	11000	120x80x165	553,00
FT-210 N LED 5907556016323		Blue LED warning beacon, cable's length 0.25 m.	1	0,048	550	59x39x29	26,40	11000	120x80x165	553,00



Category XB1 directional lamps generating emergency light have been fitted with 6 extraordinarily efficient LEDs. Owing to the double lens system implemented in the lamp, the light emitted by the diodes is focused and cast in the right direction. The light signal will therefore be noticed even in dire weather conditions, both during the day and at night. Luminous efficacy of the lamp is at a level never seen before. The lamp emits a few fully certified light flashes that are easily customisable in a user-friendly manner. Additionally, all FT-200N lamps are equipped with two synchronisation groups that render the light signals emitted by the vehicle structured and easy on passers-by.

The lamp housing, made of an impact-resistant material, has been combined with a lampshade made of polycarbonate (PC) to create a product that is extremely durable and resistant to mechanical damage, shocks as well as moisture, all of which is attested by relevant certificates.

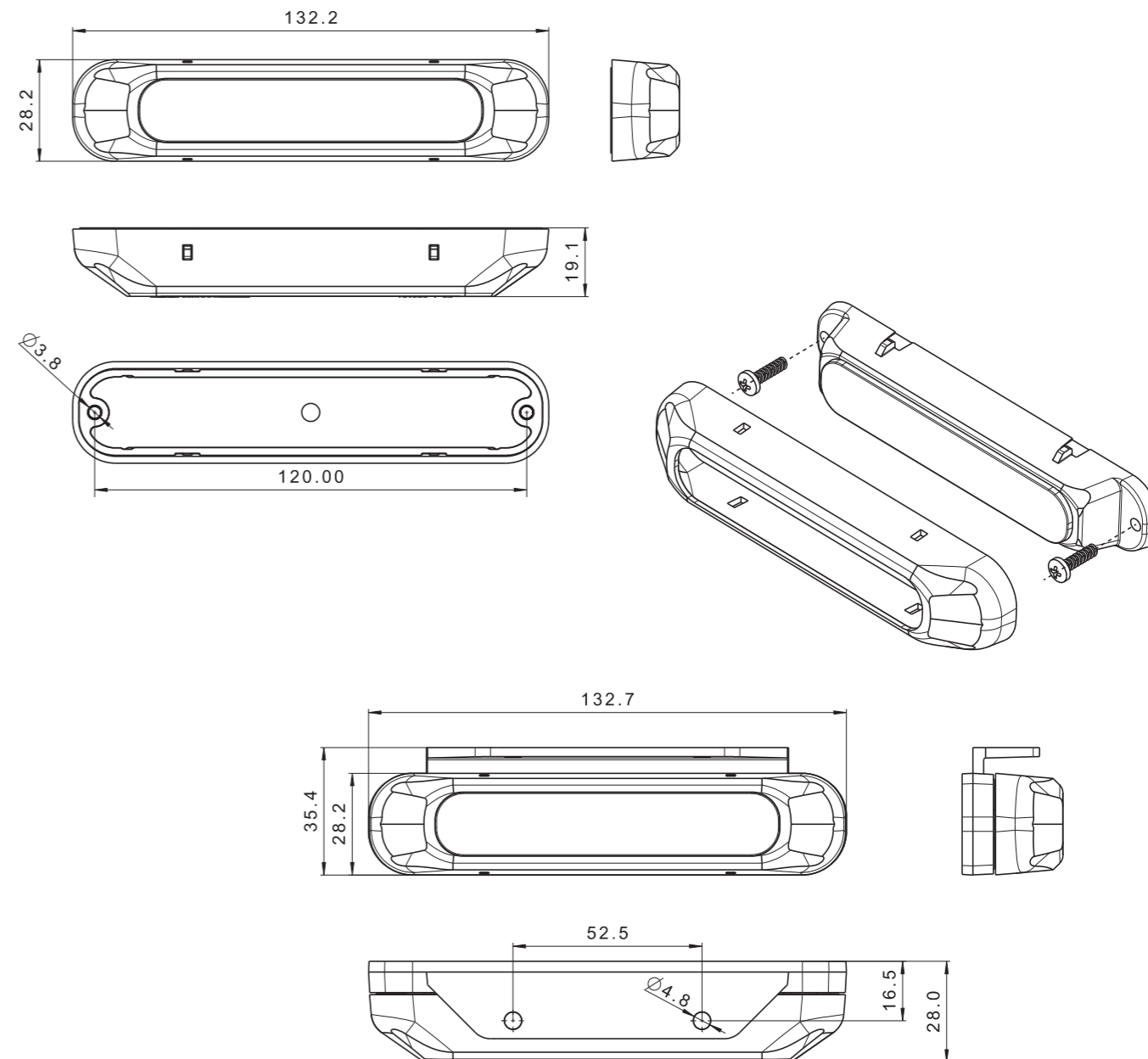
High reliability, modern shape, and compact design of the lamp make this product widely used in a variety of present-day emergency vehicles, e.g. ambulances, financial law enforcement vans, or tankers of sanitisation companies.

Widespread application:

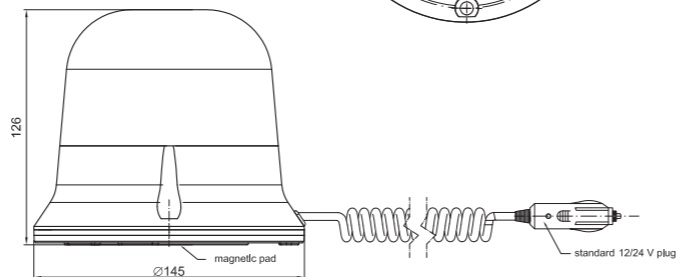
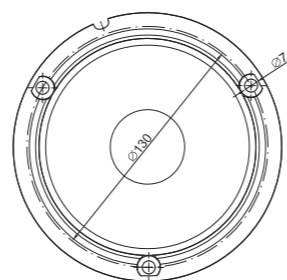
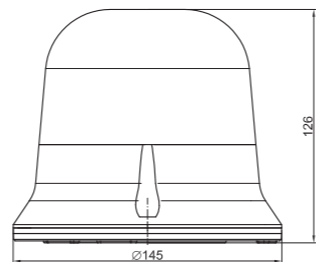
- Bulky loads transportation
- Roadside assistance services
- Security services

Technical specifications:

- 6 LEDs
- Operating voltage range 12–36V DC
- Power consumption: 12V/24V
- Peak power consumption: 0.6A/0.3A (FT-200 LED, FT-200 N LED); 0.8A/0.42A (FT-200 C LED, FT-200 C LED DARK)
- Rated power: Peak: 8 W (FT-200 LED, FT-200 N LED); 10 W (FT-200 C LED, FT-200 C LED DARK)
- Homologation of warning lamps ECE no. 65 (XB1)
- Flash frequency: $f = 2\text{Hz}$ (single, double, triple flash)
- Certificate of electromagnetic compatibility – (EMC)
- Fully waterproof lamp – IP68
- Shock-resistant lamp – IK
- Optimal lamp operating temperature: -40°C to $+55^{\circ}\text{C}$
- The lamp has a reverse polarity protection system
- Ground – white wire; PLUS – black wire
- Synchronisation/programme change – yellow wire
- Different holder assembly possibility
- 6 programmes
- Modern design
- Yellow light
- Different lamps synchronization possibility



ID/EAN	Photo	Description	Unit pack		Multipack / carton			Multipack / pallet		
			qty.	kg	qty.	cm	kg	qty.	cm	kg
FT-200 LED 5907556012516		Yellow LED warning lamp, 12-36V with a 1 m wire.	1	0,138	144	59x39x29	19,87	2880	120x80x165	422,44
FT-200 LED DARK 5907556029330		Yellow LED warning lamp, DARK version, 12-36V with a 1 m wire.	1	0,138	144	59x39x29	19,87	2880	120x80x165	422,44
FT-200 C LED 5907556029347		Red LED warning lamp 12-36V with a 1 m wire.	1	0,138	144	59x39x29	19,87	2880	120x80x165	422,44
FT-200 C LED DARK 5907556029354		Red LED warning lamp, DARK version, 12-36V with a 1 m wire.	1	0,138	144	59x39x29	19,87	2880	120x80x165	422,44
FT-200 N LED 5907556012752		Blue LED warning beacon, 12-36V with a 1 m wire.	1	0,138	144	59x39x29	19,87	2880	120x80x165	422,44



The new series of universal LED warning lamps FT-151 LED is equipped with 9 highly efficient CREE LED's that bring outstanding lighting parameters. It influences significantly on the safety on the road. The housing and other lamp parts are made of top quality materials (PC - polycarbonates) and electronic components highly resistant to both high and low temperatures, mechanical damages and vibrations. High operational reliability, modern design and compact structure make the product popular in the modern, special use vehicles.

FT-151 LED / FT-151 LED DF

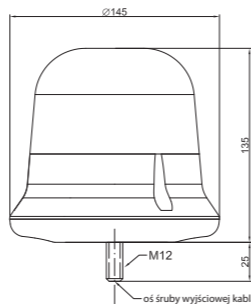
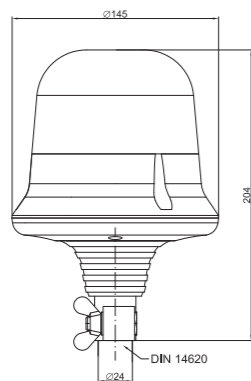
Technical specification

- universal supply voltage: 12 – 36V DC
- Power consumption: 12V/24V/
- Peak power consumption: 1.5A/0.8A
- Peak/average rated power: 12V/24V – 18W/20W
- special warning lamp approval compliant with ECE Regulation 65 (TA1)
- flash frequency: f = 2Hz
- ElectroMagnetic Compatibility – EMC certificate
- full waterproofness (IP68)
- shock-resistance – IK
- operating temperature: -40°C to + 55°C
- reverse polarity protection system
- fixed polarisation: GROUND – white wire; (+) – black wire

FT-151 RO LED

Technical specification:

- universal supply voltage: 12 – 36V DC
- Power consumption: 12V/24V/36V
- Peak power consumption: 0.5A/0.25A/0.2A
- Peak/average rated power: 12V/24V/36V – 6W/6W/7.2W
- special warning lamp approval compliant with ECE Regulation 65 (TA1)
- flash frequency: f = 2Hz
- ElectroMagnetic Compatibility – EMC certificate
- full waterproofness (IP68)
- shock-resistance – IK
- operating temperature: -40°C to + 55°C
- reverse polarity protection system
- fixed polarisation: GROUND – white wire; (+) – black wire



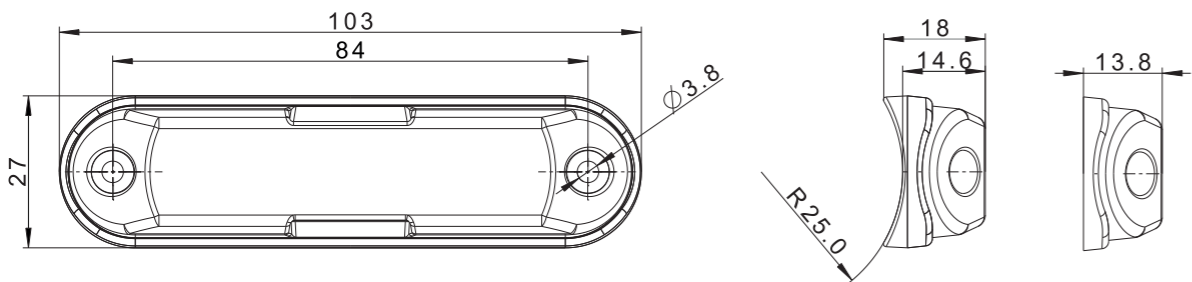
ID/EAN	Photo	Description	Unit pack		Multipack / carton			Multipack / pallet		
			qty.	kg	qty.	cm	kg	qty.	cm	kg
FT-151 3S LED 5907556018570		Yellow LED warning beacon, single flash, mounted on 3 screws. Cable's length 1.5 m.	1	0,72	12	59x39x33	8,64	240	120x80x165	197,80
FT-151 LED MAG M30 5907556018587		Yellow LED warning beacon mounted on a magnet, single flash. Additionally, the lamp is equipped with a spiral cable (unfolded – 3 m, in spiral – 0.6 m) and a standard 12/ 24V lighter plug.	1	1,22	12	59x39x33	14,64	240	120x80x165	317,80
FT-151 LED MAG M78 5907556018594		Yellow LED warning beacon mounted on a magnet, single flash. Additionally, the lamp is equipped with a spiral cable (unfolded – 7.8 m, in spiral – 1.2 m) and a standard 12/ 24V lighter plug.	1	1,42	12	59x39x33	17,04	240	120x80x165	365,80
FT-151 LED PI 5907556018600		Yellow LED warning beacon, single flash. The lamp appears in a stationary LED 12-36V version with a pipe-socket and electrical connector type PLUG-IN (DIN 14620).	1	0,80	12	59x39x33	9,60	240	120x80x165	192,00
FT-151 SC LED 5907556018617		Yellow LED warning beacon, single flash. The lamp appears in a stationary LED 12-36V version with a single bolt and a loom.	1	0,72	12	59x39x33	8,64	240	120x80x165	197,80
FT-151 3S DF LED 5907556018624		Yellow LED warning beacon, double flash, mounted on 3 screws, cable's length 1.5 m.	1	0,72	12	59x39x33	8,64	240	120x80x165	197,80
FT-151 DF LED MAG M30 5907556018631		Yellow LED warning beacon, double flash, portable version mounted on a magnet. The lamp is equipped with a spiral cable (unfolded – 3 m, in spiral – 0.6 m) and a standard 12/ 24V lighter plug.	1	1,22	12	59x39x33	14,64	240	120x80x165	317,80
FT-151 DF LED MAG M78 5907556018648		Yellow LED warning beacon, double flash, portable version mounted on a magnet. The lamp is equipped with a spiral cable (unfolded – 7.8 m, in spiral – 1.2 m) and a standard 12/ 24V lighter plug.	1	1,42	12	59x39x33	17,04	240	120x80x165	365,80
FT-151 DF LED PI 5907556018655		Yellow LED warning beacon, double flash. The lamp appears in a stationary LED 12-36V version with a pipe-socket and electrical connector type PLUG-IN (DIN 14620).	1	0,80	12	59x39x33	9,60	240	120x80x165	192,00
FT-151 SC DF LED 5907556018662		Yellow LED warning beacon, double flash. The lamp appears in a stationary LED 12-36V version with a single bolt and a loom.	1	0,70	18	59x39x29	12,60	360	120x80x165	277,00
FT-151 3S RO LED 5907556018679		Yellow LED warning beacon, rotation flash, mounted on 3 screws. Cable's length 1.5 m.	1	0,72	12	59x39x33	8,64	240	120x80x165	197,80
FT-151 RO LED MAG M30 5907556018686		Yellow LED warning beacon mounted on a magnet, rotation flash. Additionally, the lamp is equipped with a spiral cable (unfolded – 3 m, in spiral – 0.6 m) and a standard 12/ 24V lighter plug.	1	1,22	12	59x39x33	14,64	240	120x80x165	317,80
FT-151 RO LED MAG M78 5907556018693		Yellow LED warning beacon mounted on a magnet, rotation flash. Additionally, the lamp is equipped with a spiral cable (unfolded – 7.8 m, in spiral – 1.2 m) and a standard 12/ 24V lighter plug.	1	1,42	12	59x39x33	17,04	240	120x80x165	365,80
FT-151 RO LED PI 5907556018709		Yellow LED warning beacon, rotation flash. The lamp appears in a stationary LED 12-36V version with a pipe-socket and electrical connector type PLUG-IN (DIN 14620).	1	0,80	12	59x39x33	9,60	240	120x80x165	192,00
FT-151 SC RO LED 5907556018716		Yellow LED warning beacon, rotation flash. The lamp appears in a stationary LED 12-36V version with a single bolt and a loom.	1	0,70	18	59x39x29	12,60	360	120x80x165	277,00



The new series of universal LED warning lamps FT-205 LED is equipped with 6 highly efficient Pc_Amber LED's that bring outstanding lighting parameters. It influences significantly on the safety on the road. The housing and other lamp parts are made of top quality materials (PC - polycarbonates) and electronic components highly resistant to both high and low temperatures, mechanical damages and vibrations. High operational reliability, modern design and compact structure make the product popular in the modern, special use vehicles.

Technical specification:

- Application of 6 Pc_Amber LED diodes
- Universal supply voltage 12-24V
- Peak power consumption: 0.65A/0.35A
- Peak/average rated power: 8.5W
- Special warning lamp approval compliant with ECE Regulation 65 (TA1)
- Flash frequency: f = 2,0 Hz (single flash)
- Full waterproofness (IP68)
- Shock-resistance – IK
- ElectroMagnetic Compatibility – EMC certificate
- Operating temperature -40°C to +55°C
- Reverse polarity protection
- Ground (-) white wire; Plus (+) black wire



ID/EAN	Photo	Description	Unit pack		Multipack / carton			Multipack / pallet		
			qty.	kg	qty.	cm	kg	qty.	cm	kg
FT-205 LED 5907556028968		Yellow LED warning beacon, 4 programs – possibility of synchronizing, cable's length 0,15m.	1			59x39x29			120x80x165	
FT-205 LED ECO 5907556028975		Yellow LED warning beacon, 1 program – double flash, cable's length 0,15m.	1			59x39x29			120x80x165	





FT-150 DF 3S N LED



FT-150 DF N LED PI

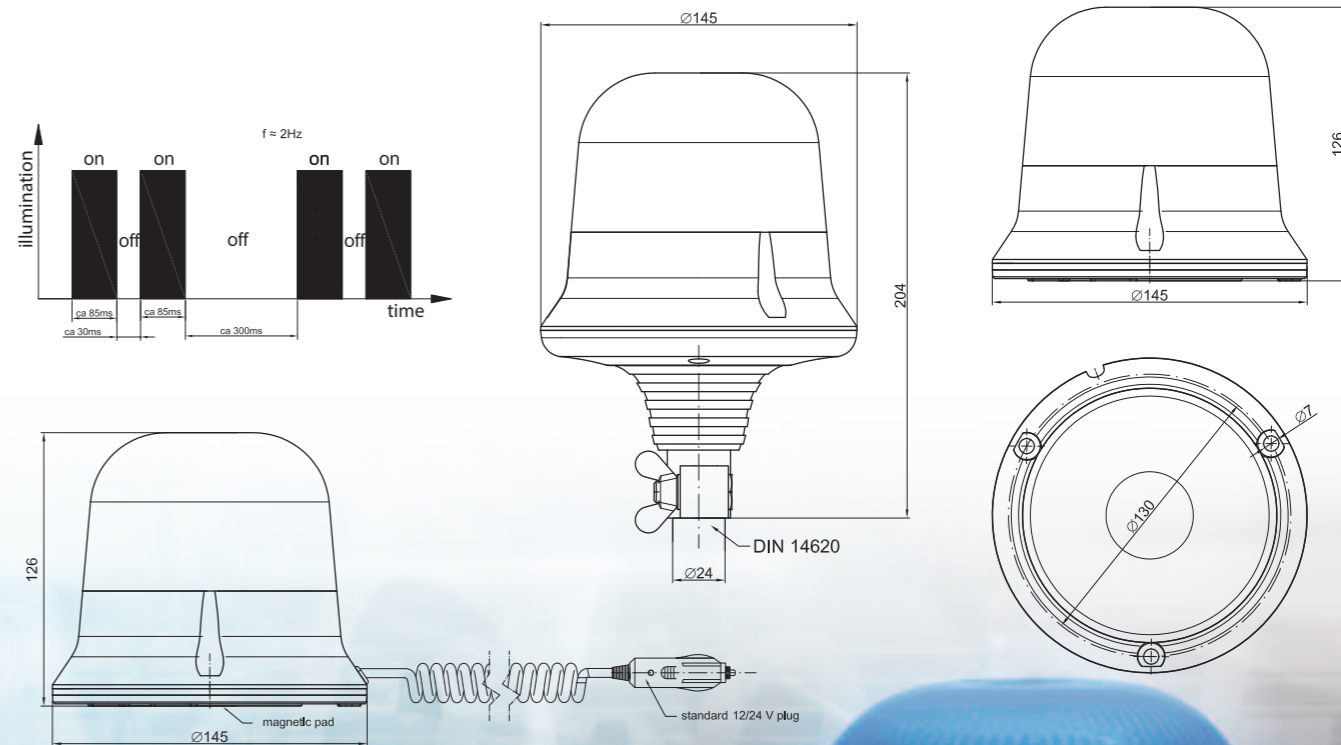
The new series of universal LED warning lamps is equipped with 9 highly efficient CREE LED's that bring outstanding lighting parameters. It influences significantly on the safety on the road. The housing and other lamp parts are made of top quality materials (PC - polycarbonates) and electronic components highly resistant to both high and low temperatures, mechanical damages and vibrations. High operational reliability and compact structure make the product popular in the modern, special use vehicles.

Technical specification:

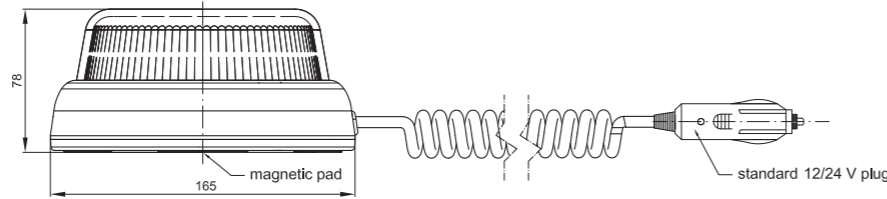
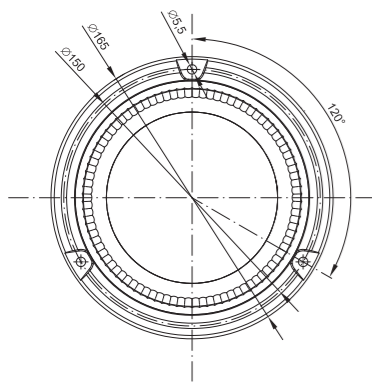
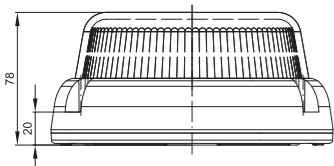
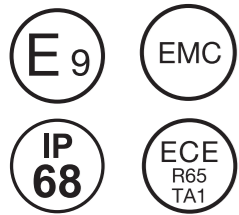
- Application of 9 CREE LED diodes
- Universal supply voltage 12-24V
- Peak power consumption: 1.2A/0.6A
average power consumption: 0.5A/0.25A
- Peak/average rated power: 15W/6W
- Special warning lamp approval compliant with ECE Regulation 65 (TB1)
- Flash frequency: f = 2.0 Hz (double flash)
- Full waterproofness
- Shock-resistance
- ElectroMagnetic Compatibility – EMC certificate
- Operating temperature -40°C to +55°C
- Reverse polarity protection
- Ground (-) white wire; Plus (+) black wire



FT-150 DF N LED MAG M30
FT-150 DF N LED MAG M78



ID/EAN	Photo	Description	Unit pack		Multipack / carton			Multipack / pallet		
			qty.	kg	qty.	cm	kg	qty.	cm	kg
FT-150 3S DF N LED 5907556015821		Blue LED warning beacon, double flash, mounted on 3 screws, cable's length 1.5 m.	1	0.72	12	59x39x33	8.64	240	120x80x165	197.80
FT-150 DF N LED MAG M30 5907556015838		Blue LED warning beacon, double flash, portable version mounted on a magnet. The lamp is equipped with a spiral cable max 3 m.	1	1.22	12	59x39x33	14.64	240	120x80x165	317.80
FT-150 DF N LED MAG M78 5907556015845		Blue LED warning beacon, double flash, portable version mounted on a magnet. The lamp is equipped with a spiral cable max 7.8 m.	1	1.42	12	59x39x33	17.04	240	120x80x165	365.80
FT-150 DF N LED PI 5907556015852		Blue LED warning beacon, double flash. The lamp appears in a stationary LED 12-55V version with a pipe-socket and electrical connector type PLUG-IN.	1	0.80	12	59x39x33	9.60	240	120x80x165	192.00



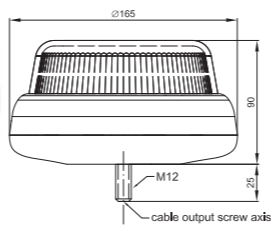
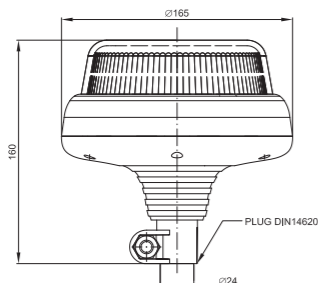
Series of warning lamps **FT-101 LED** is equipped with 20 highly efficient **CREE** diodes that considerably influence on optimal targeted beam of light visible even under severe weather conditions. The body is made of impact-resistant material and along with the lampshade made of polycarbonate (PC) forms an extremely solid and resistant to mechanical damage, moisture and shock product that is confirmed with the relevant certificate. High reliability, modern shape and compact design go perfectly with the modern special-purpose vehicles.

FT-101 LED / FT-101 LED DF
Technical specification

- universal supply voltage: **12 – 36V DC**
- **Power consumption: 12V/24V/**
- **Peak power consumption: 1.5A/0.8A**
- Peak/average rated power: **12V/24V – 18W/20W**
- special warning lamp approval compliant with **ECE Regulation 65 (TA1)**
- flash frequency: **f = 2Hz**
- ElectroMagnetic Compatibility – **EMC** certificate
- full waterproofness (**IP68**)
- shock-resistance – **IK**
- operating temperature: **-40°C to + 55°C**
- reverse polarity protection system
- fixed polarisation: **GROUND** – white wire; (+) – black wire

FT-101 RO LED

- Technical specification:**
- universal supply voltage: **12 – 36V DC**
 - **Power consumption: 12V/24V/36**
 - **Peak power consumption: 0.5A/0.25A/0.2A**
 - Peak/average rated power: **12V/24V/36V – 6W/6W/7.2W**
 - special warning lamp approval compliant with **ECE Regulation 65 (TA1)**
 - flash frequency: **f = 2Hz**
 - ElectroMagnetic Compatibility – **EMC** certificate
 - full waterproofness (**IP68**)
 - shock-resistance – **IK**
 - operating temperature: **-40°C to + 55°C**
 - reverse polarity protection system
 - fixed polarisation: **GROUND** – white wire; (+) – black wire



ID/EAN	Photo	Description	Unit pack		Multipack / carton			Multipack / pallet		
			qty.	kg	qty.	cm	kg	qty.	cm	kg
FT-101 3S DF LED 5907556017597		Yellow LED warning beacon, double flash, mounted on 3 screws, cable's length 1.5 m.	1	0,70	18	59x39x29	12,60	360	120x80x165	277,00
FT-101 DF LED MAG M30 5907556017603		Yellow LED warning beacon, double flash, portable version mounted on a magnet pad. The lamp is equipped with a spiral cable (unfolded - 3 m, in spiral - 0.6 m) and a standard 12/ 24V lighter plug.	1	1,35	18	59x39x29	24,30	360	120x80x165	511,00
FT-101 DF LED MAG M78 5907556017610		Yellow LED warning beacon, double flash, portable version mounted on a magnet pad. The lamp is equipped with a spiral cable (unfolded - 7,8m, in spiral - 1,2 m) and a standard 12/ 24V lighter plug.	1	1,55	18	59x39x29	27,90	360	120x80x165	583,00
FT-101 DF LED PI 5907556017627		Yellow LED warning beacon, double flash. The lamp appears in a stationary version with a pipe-socket.	1	1,35	10	59x39x29	13,50	200	120x80x165	295,00
FT-101 SC DF LED 5907556018044		Yellow LED warning beacon, double flash, mounted on central screw, version with a single bolt and a loom.	1	0,70	18	59x39x29	12,60	360	120x80x165	277,00
FT-101 3S RO LED 5907556017634		Yellow LED warning beacon, rotation flash, mounted on 3 screws, cable's length 1.5 m.	1	0,70	18	59x39x29	12,60	360	120x80x165	277,00
FT-101 RO LED MAG M30 5907556017641		Yellow LED warning beacon, rotation flash, portable version mounted on a magnet pad. The lamp is equipped with a spiral cable (unfolded - 3 m, in spiral - 0.6 m) and a standard 12/ 24V lighter plug.	1	1,35	18	59x39x29	24,30	360	120x80x165	511,00
FT-101 RO LED MAG M78 5907556017658		Yellow LED warning beacon, rotation flash, portable version mounted on a magnet pad. The lamp is equipped with a spiral cable (unfolded - 7,8m, in spiral - 1,2m) and a standard 12/ 24V lighter plug.	1	1,55	18	59x39x29	27,90	360	120x80x165	583,00
FT-101 RO LED PI 5907556017665		Yellow LED warning beacon, rotation flash. The lamp appears in a stationary version with a pipe-socket.	1	1,35	10	59x39x29	13,50	200	120x80x165	295,00
FT-101 3S LED 5907556017672		Yellow LED warning beacon, single flash, mounted on 3 screws, cable's length 1.5 m.	1	0,70	18	59x39x29	12,60	360	120x80x165	277,00
FT-101 LED MAG M30 5907556017689		Yellow LED warning beacon, single flash, portable version mounted on a magnet pad. The lamp is equipped with a spiral cable (unfolded - 3 m, in spiral - 0.6 m) and a standard 12/ 24V lighter plug.	1	1,35	18	59x39x29	24,30	360	120x80x165	511,00
FT-101 LED MAG M78 5907556017696		Yellow LED warning beacon, single flash, portable version mounted on a magnet pad. The lamp is equipped with a spiral cable (unfolded - 7,8m, in spiral - 1,2m) and a standard 12/ 24V lighter plug.	1	1,55	18	59x39x29	27,90	360	120x80x165	583,00
FT-101 LED PI 5907556017702		Yellow LED warning beacon, single flash. The lamp appears in a stationary version with a pipe-socket.	1	1,35	10	59x39x29	13,50	200	120x80x165	295,00

MANUFACTURER OF LIGHTING AND CABLE HARNESSSES

FRISTOM Spółka z o.o. Sp. k. is a Company with family traditions, dealing with production of lighting and electric harnesses for the automotive industry. The beginnings of the company's activity go back to an earlier generation, and under the current name of "**FRISTOM Spółka z o.o. Sp. k.**" has been operating on the market since **1995**.

Why FRISTOM?

*You will receive comprehensive service with us.
We will provide an cable harnesses, rear lamps,
number plate lighting, marker lamps ...,
all electrics that are necessary in 12V trailers.
We are specialists in this field.
All lamps are EMC certified
authorizing the installation of our products
on trailers. We have extensive technical knowledge
thanks to which we will help you choose the right
one lighting and cable harnesses in accordance with
the regulations, adjusted to the length of the trailer.
We have been trusted by many companies not only
from Poland, but also from Europe.*

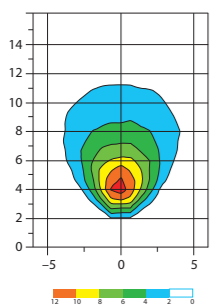
A FAMILY COMPANY — A GLOBAL BRAND





LED WORK Lamps

All lamps in our offer are characterized
by the highest quality
– **they have a robust body and small dimensions.**
They are equipped
with extremely efficient LEDs of high light output.



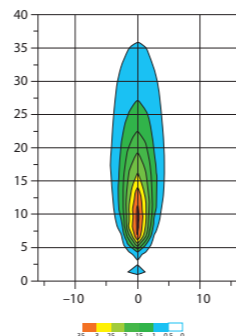
60°

FT-362 LED



1200 LM

FT-363 LED



10°

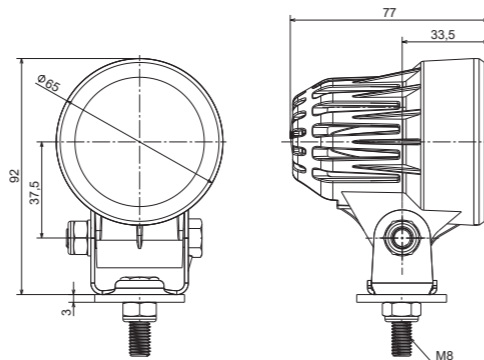


A new series of universal work lamps.

FT-362 LED – beam angle 60°
Enables intense illumination of a short-range working area.

FT-363 LED – beam angle 10°
A narrow beam of light allows for precise illumination of distant areas.

Operating voltage range from **12V** up to **32V DC**
Current consumption: **12V/24V = 0.9A/0.45A**
Rated Power: **21W**
Light color temperature approx. **5700K**
Lamp luminous flux **after 5 minutes 1200 lm** (minimum flux **1100 lm**)
Electromagnetic compatibility certificate – **EMC**
The lamp is completely waterproof **IP69**
Shock and vibration resistant
Lamp Optimal lamp operating temperature: **-40°C to +35°C**



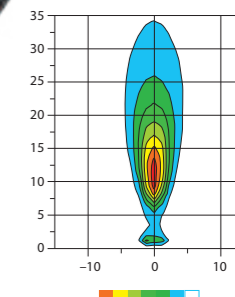
60°

FT-364 LED



2500 LM

FT-365 LED



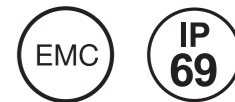
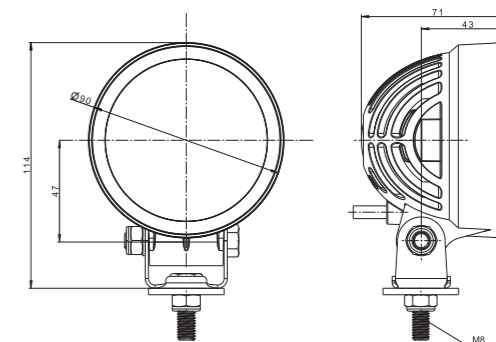
10°

A new series of universal work lamps.

FT-364 LED – beam angle 60°
Enables intense illumination of a short-range working area.

FT-365 LED – beam angle 10°
A narrow beam of light allows for precise illumination of distant areas.

Operating voltage range from **12V** up to **32V DC**
Current consumption: **12V/24V = 1.8A/0.9A**
Rated Power: **22W**
Light color temperature approx. **5700K**
Lamp luminous flux **after 5 minutes 2500 lm** (minimum flux **2200 lm**)
Electromagnetic compatibility certificate – **EMC**
The lamp is completely waterproof **IP69**
Shock and vibration resistant
Lamp Optimal lamp operating temperature: **-40°C to +55°C**



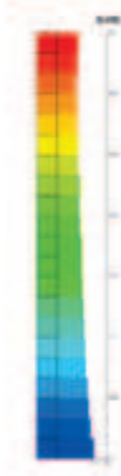
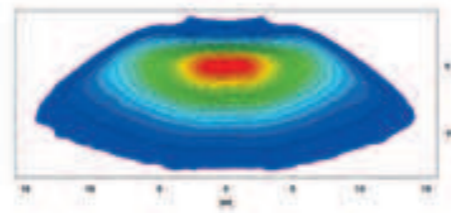
ID/EAN	Photo	Description	Unit pack		Multipack / carton			Multipack / pallet		
			qty.	kg	qty.	cm	kg	qty.	cm	kg
FT-362 LED 5907556031296		Universal LED work lamps, round, wide luminous flux, 1200 lm , joint holder, cable 1,5m.	1			59x39x29				120x80x165
FT-362 DS LED 5907556031302		Universal LED work lamps, round, wide luminous flux, 1200 lm , joint holder, DEUTSCH STECKER socket built-in.	1			59x39x29				120x80x165
FT-363 LED 5907556031319		Universal LED work lamps, round, focused light beam, 1200 lm , joint holder, cable 1,5m.	1			59x39x29				120x80x165
FT-363 DS LED 5907556031326		Universal LED work lamps, round, focused light beam, 1200 lm , joint holder, DEUTSCH STECKER socket built-in.	1			59x39x29				120x80x165



ID/EAN	Photo	Description	Unit pack		Multipack / carton			Multipack / pallet		
			qty.	kg	qty.	cm	kg	qty.	cm	kg
FT-364 LED 5907556030091		Universal LED work lamps, round, wide luminous flux, 2500 lm , joint holder, cable 1,5m.	1	0,45		59x39x29				120x80x165
FT-364 DS LED 5907556030107		Universal LED work lamps, round, wide luminous flux, 2500 lm , joint holder, DEUTSCH STECKER socket built-in.	1			59x39x29				120x80x165
FT-364 LED MAG M30 5907556030114		Universal LED work lamps, round, wide luminous flux, 2500 lm , magnetic pad, spiral cable with a maximum length of 3m.	1			59x39x29				120x80x165
FT-364 LED MAG M78 5907556030121		Universal LED work lamps, round, wide luminous flux, 2500 lm , magnetic pad, spiral cable with a maximum length of 7,8m.	1			59x39x29				120x80x165
FT-365 LED 5907556030138		Universal LED work lamps, round, focused light beam, 2500 lm , joint holder, cable 1,5m.	1	0,45		59x39x29				120x80x165
FT-365 DS LED 5907556030145		Universal LED work lamps, round, focused light beam, 2500 lm , joint holder, DEUTSCH STECKER socket built-in.	1			59x39x29				120x80x165
FT-365 LED MAG M30 5907556030152		Universal LED work lamps, round, focused light beam, 2500 lm , magnetic pad, spiral cable with a maximum length of 3m.	1			59x39x29				120x80x165
FT-365 LED MAG M78 5907556030169		Universal LED work lamps, round, focused light beam, 2500 lm , magnetic pad, spiral cable with a maximum length of 7,8m.	1			59x39x29				120x80x165



4100 LM



EMC IP 68

The new series of FRISTOM universal LED work lamps FT-360 LED and FT-361 LED is equipped with highly efficient LED diodes of CREE. Installed in an aluminum housing in order to create optimal working conditions that guarantee high and constant parameters of brightness, reliability and long-term durability of the product. These lamps have already found a very wide application in land and water transport, agriculture and construction. The housing and other lamp parts are made of top quality materials and electronic components highly resistant to both high and low temperatures, mechanical damages and vibrations. The small dimensions of the lamp allow it to be mounted even in the most inaccessible locations.

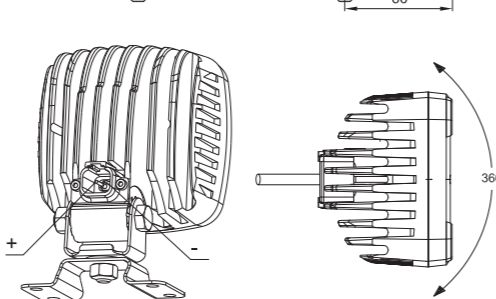
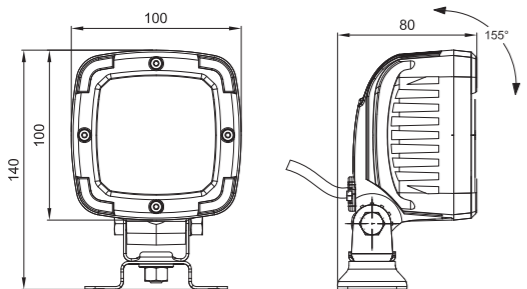
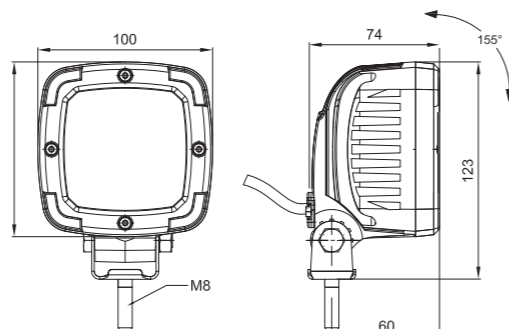
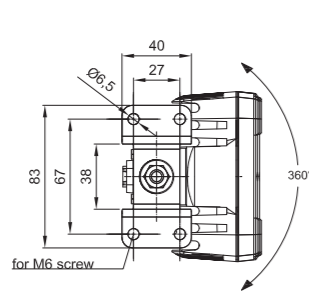
FT-360 LED – wide lighting beam (illumination of close working area).
 FT-361 LED – focused beam of light (illumination of the far working field).

Technical specification:

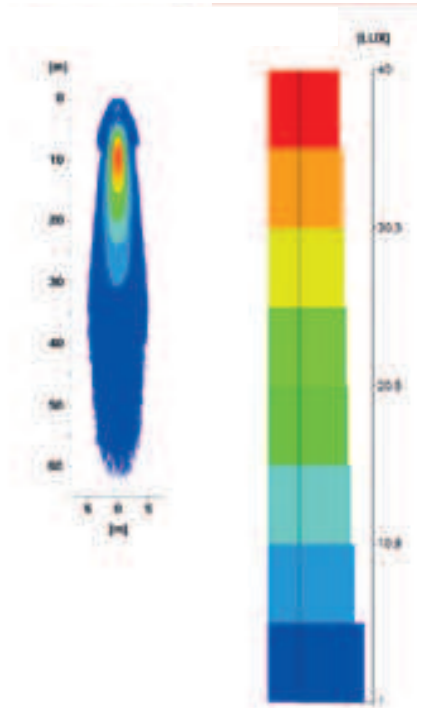
- Wide operating voltage range of 12–36V DC
- Power consumption: 12V/24V/48V = 3.2A/1.6A/0.8A
- Rated power: 38 W
- Light color temperature about 5700K (natural color, optimal to human eyes)
- Theoretical light beam 4100 lm (Effective light beam 3500 lm)
- Electromagnetic Compatibility Certificate – EMC
- Optimum work temperature: –40°C to +35°C
- Ground – white wire; PLUS – black wire

WARNING!

The housing of the FT-360 LED and FT-361 LED lamps also functions as a thermal radiator and can therefore heat up significantly!



4100 LM



EMC IP 68

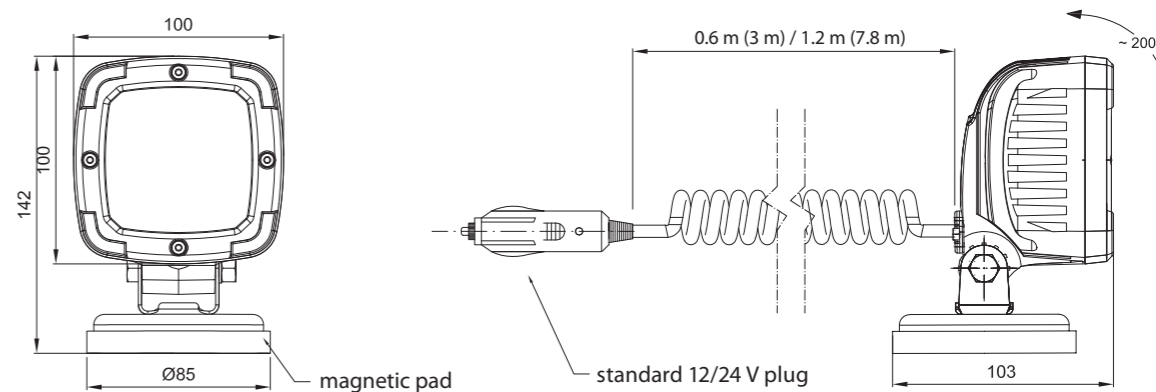
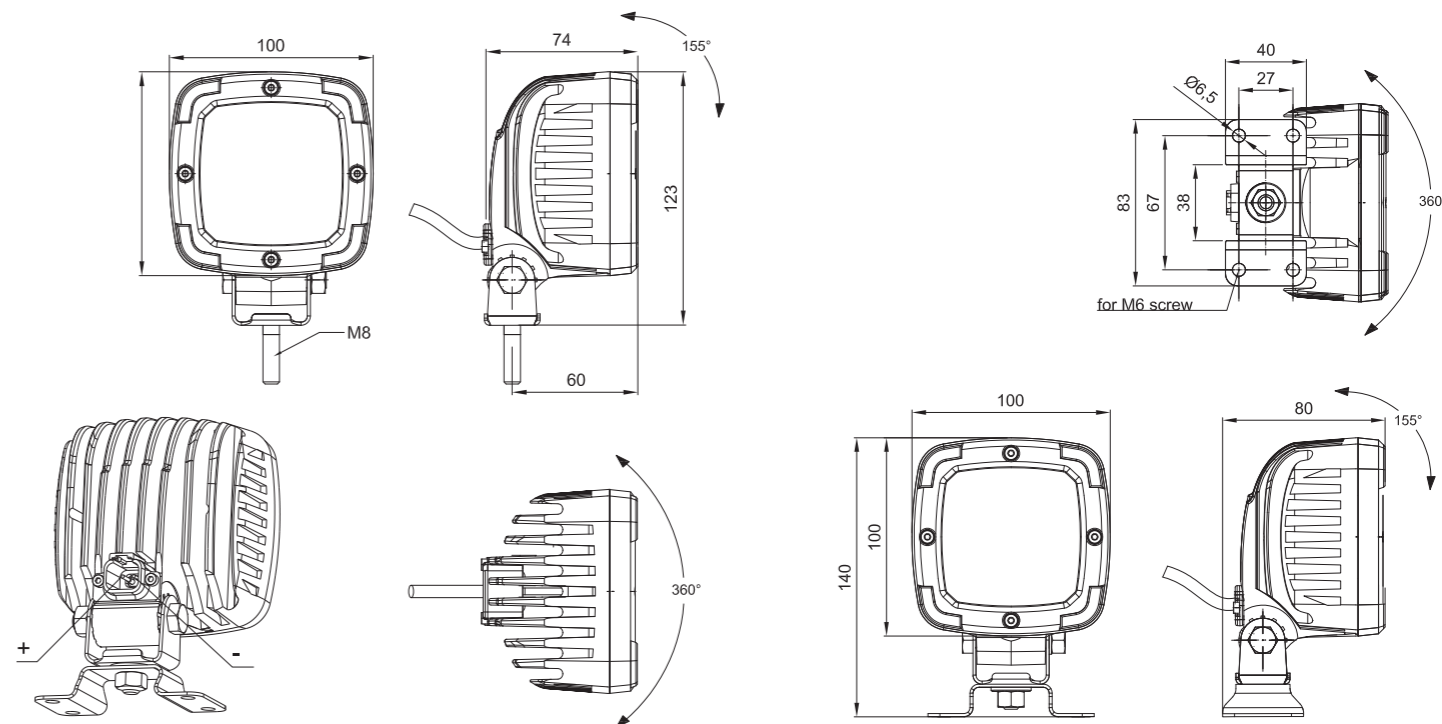
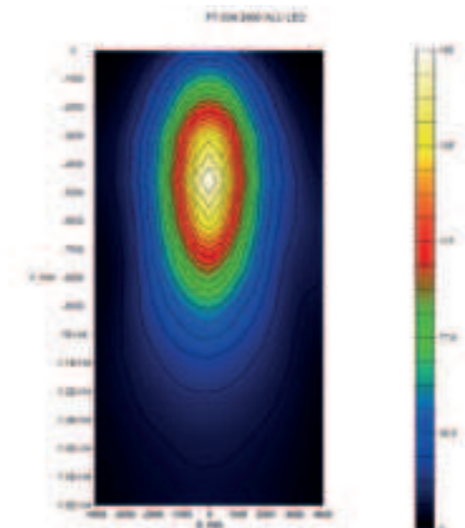
ID/EAN	Photo	Description	Unit pack		Multipack / carton			Multipack / pallet		
			qty.	kg	qty.	cm	kg	qty.	cm	kg
FT-360 LED 5907556015876		Universal LED work lamps, wide luminous flux, 4100 lm, black aluminium housing, red frame, joint holder, cable 1,5m.	1	0,824	50	59x39x29	41,90	1000	120x80x165	863,00
FT-360 DS LED 5907556016408		Universal LED work lamps, wide luminous flux, 4100 lm, black aluminium housing, red frame, joint holder, DEUTSCH STECKER SOCKET built-in.	1	0,824	50	59x39x29	41,90	1000	120x80x165	863,00
FT-360 LED MAG M30 KN 5907556016538		Universal LED work lamps, wide luminous flux, 4100 lm, magnetic joint holder, black aluminium housing, red frame, joint holder, The lamp is additionally equipped with a 3m long spiral lead (in spiral 0.6 m).	1	1,360	22	59x39x29	29,92	440	120x80x165	623,40
FT-360 LED MAG M78 KN 5907556016545		Universal LED work lamps, wide luminous flux, 4100 lm, magnetic joint holder, black aluminium housing, red frame, joint holder, The lamp is additionally equipped with a 7,8m long spiral lead.	1	1,560	22	59x39x29	34,32	440	120x80x165	711,40
FT-361 LED 5907556015913		Universal LED work lamps, focused light beam, 4100 lm, black aluminium housing, red frame, joint holder, cable 1,5m.	1	0,824	50	59x39x29	41,90	1000	120x80x165	863,00
FT-361 DS LED 5907556015920		Universal LED work lamps, focused light beam, 4100 lm, black aluminium housing, red frame, joint holder, DEUTSCH STECKER SOCKET built-in.	1	0,824	50	59x39x29	41,90	1000	120x80x165	863,00
FT-361 LED MAG M30 KN 5907556016552		Universal LED work lamps, focused light beam, 4100 lm, magnetic joint holder, black aluminium housing, red frame. The lamp is additionally equipped with a 3m long spiral lead.	1	1,360	22	59x39x29	29,92	440	120x80x165	623,40
FT-361 LED MAG M78 KN 5907556016569		Universal LED work lamps, focused light beam, 4100 lm, magnetic joint holder, black aluminium housing, red frame. The lamp is additionally equipped with a 7,8m long spiral lead.	1	1,560	22	59x39x29	34,32	440	120x80x165	711,40



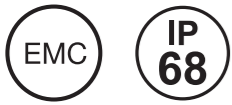
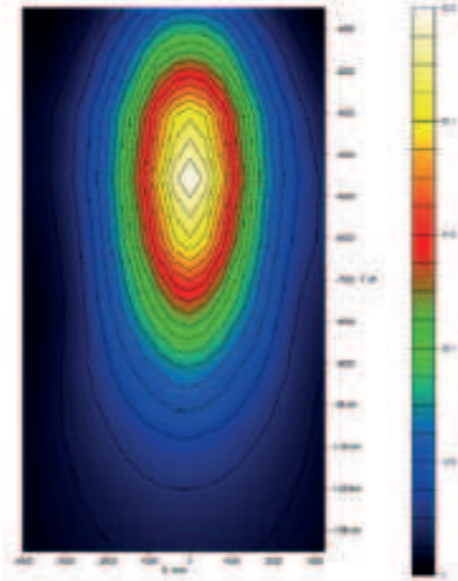
The new series of universal LED work lamps FT-036 LED ALU 2800 is equipped with highly efficient CREE LED's and an aluminium housing that brings outstanding lighting parameters. Friscom work lamps are widely used both in road and water transportation, agriculture, construction and water sports. They are characterised by relatively low power consumption. Rated power of FT-036 LED ALU 2800 lamps fluctuate around 34W! Small overall dimensions make possible to mount the lamps in the most inaccessible locations. The housing and other lamp parts are made of top quality materials and electronic components highly resistant to both high and low temperatures, mechanical damages and vibrations.

- Technical specification:**
- universal supply voltage – from 12V up to 36V DC
 - power consumption: 12V/24V/48V = 2.8A/1.4A/0.7A
 - rated power: 34W
 - color temperature: around 6.000K (Kelvin)
 - effective (measured) light beam – min. 2.800 lm
 - lamp with an aluminium housing, 9 x CREE LED's
 - ElectroMagnetic Compatibility – EMC certificate
 - full waterproofness (IP68)
 - shock-resistance – IK
 - operating temperature: -40°C to +35°C
 - reverse polarity protection system
 - fixed polarisation: GROUND – white wire; (+) – black wire

WARNING!
The aluminium housing of FT-036 LED ALU 2800 work lamps also performs the function of the heat sink and may become very hot!

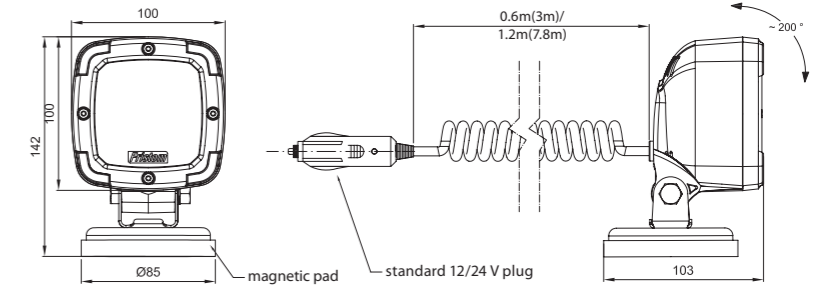
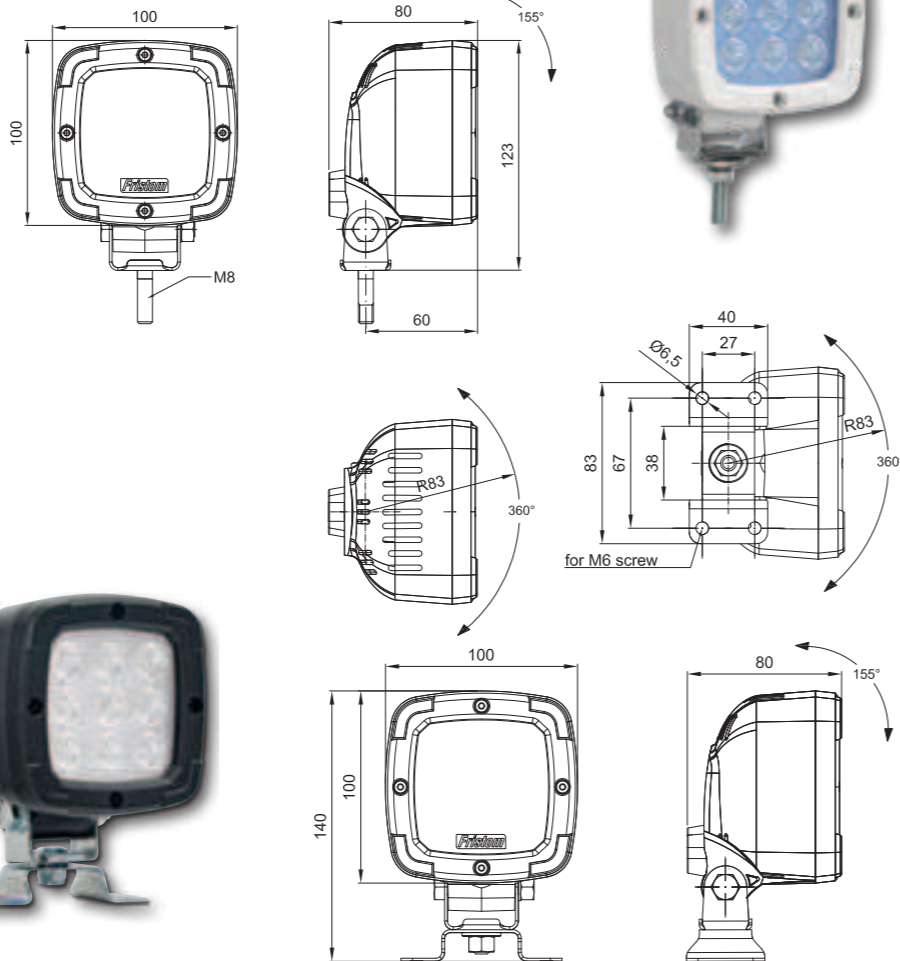


ID/EAN	Photo	Description	Unit pack		Multipack / carton			Multipack / pallet		
			qty.	kg	qty.	cm	kg	qty.	cm	kg
FT-036 LED ALU 2800 5907556008540		Universal LED work lamps, 9 diodes, min. 2800 lm, black aluminium housing, joint holder.	1	0.78	50	59x39x29	39.00	1000	120x80x165	805.00
FT-036 LED ALU 2800 MAG M30 5907556008564		Universal LED work lamps, 9 diodes, min. 2800 lm, black aluminium housing, magnetic pad, joint holder. The lamp is additionally equipped with a 3 m long spiral cable (0.6 m in spiral) with a standard 12/24V cigarette lighter plug.	1	1.35	22	59x39x29	29.70	440	120x80x165	619.00
FT-036 LED ALU 2800 MAG M78 5907556008571		Universal LED work lamps, 9 diodes, min. 2800 lm, black aluminium housing, magnetic pad, joint holder. The lamp is additionally equipped with a 7.8 m long spiral cable (1.2 m in spiral) with a standard 12/24V cigarette lighter plug.	1	1.55	22	59x39x29	34.10	440	120x80x165	707.00
FT-036 DS LED ALU 2800 5907556008786		Universal LED work lamps, min 2800 lm, 9 diodes, joint holder, black frame. The lamp is additionally equipped with DEUTSCH STECKER SOCKET built-in.	1	0.78	50	59x39x29	39.00	1000	120x80x165	805.00



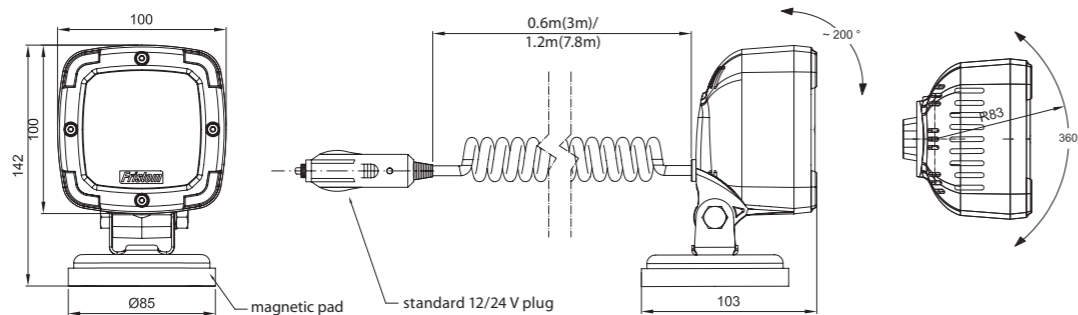
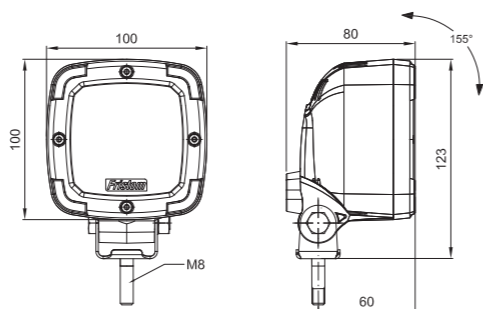
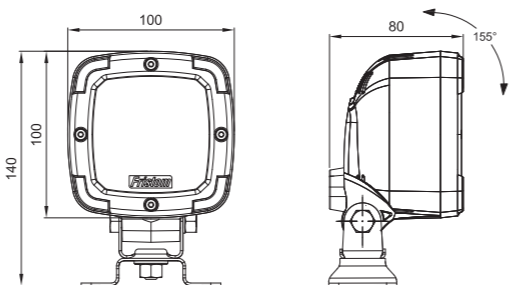
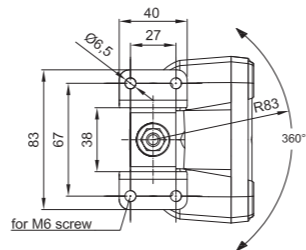
Series of universal LED work lamps FT-036 is equipped with highly efficient LED diodes made by OSRAM. That process allowed us to obtain high light paramtres, about 1800 lm for rated power consumption 13.5W. Those lamps are widely used in both road and water transportation, agriculture, construction and in every sphere where severe atmospheric conditions occur including high humidity. The body is made of shock proof material and along with the lampshade made of polycarbonate (PC) form an extremely solid and resistant to mechanical damage, moisture and shock product that is confirmed with the relevant certificate. The small size allows the lamp to be placed in even the most inaccessible places.

- Technical specification:**
- universal supply votlage – from 12V up to 36V DC
 - power consumption: 12V/24V/48V = 1.1A/0.55A/0.28A
 - rated power: 13.5W
 - color temperature: around 6.000K (Kelvin)
 - effective (measured) light beam – 1.800 lm (the minimum value is 1500 lm, after 60 minutes of continuous use)
 - 9 x OSRAM LED's
 - ElectroMagnetic Compatibility – EMC certificate
 - full waterproofness (IP68)
 - shock-resistance – IK
 - operating temperature: -40°C to +35°C
 - reverse polarity protection system
 - fixed polarisation: GROUND - white wire; (+) - black wire

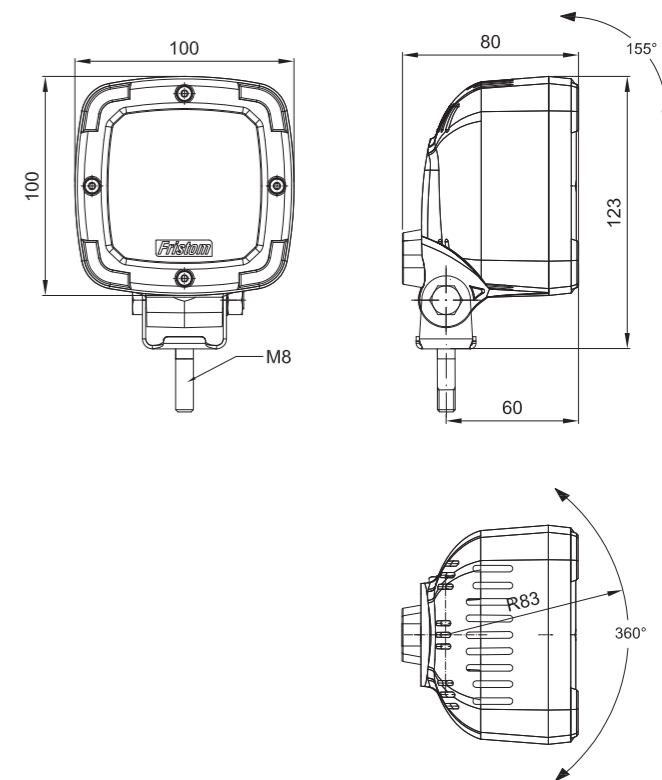


ID/EAN	Photo	Description	Unit pack		Multipack / carton			Multipack / pallet		
			qty.	kg	qty.	cm	kg	qty.	cm	kg
FT-036 LED 5907556005617		Universal LED work lamps, joint holder, black colour casing. The lamp meets ADR requirements.	1	0.56	50	59x39x29	28.00	1000	120x80x165	585.00
FT-036 B LED 5907556005655		Universal LED work lamps, joint holder, white colour casing. Made by applying acid-resistant mounting elements. Designed especially for watercraft.	1	0.49	50	59x39x29	24.50	1000	120x80x165	515.00
FT-036 LED MAG M30 5907556005693		Universal LED work lamps, 9 diods, magnetic joint holder, black colour casing. The lamp is additionally equipped with a 3 m long spiral lead (in spiral 0.6 m) with a standard 12/24 V cigarette lighter socket plug.	1	1.10	22	59x39x29	24.20	440	120x80x165	509.00
FT-036 LED MAG M78 5907556005709		Universal LED work lamps, 9 diods, magnetic joint bracket, black colour casing. The lamp is additionally equipped with a 7.8 m long spiral lead (in spiral 1.2 m) with a standard 12/24 V cigarette lighter socket plug.	1	1.30	22	59x39x29	28.60	440	120x80x165	597.00
FT-036 DS LED 5907556007963		Universal LED work lamps 1800 lm, 9 diodes, joint holder, black colour housing with a Deutsch Stecker socket.	1	0,56	50	59x39x29	28.00	1000	120x80x165	585.00





ID/EAN	Photo	Description	Unit pack		Multipack / carton			Multipack / pallet		
			qty.	kg	qty.	cm	kg	qty.	cm	kg
FT-063 LED 5907556010192		Universal LED work lamps 650 lm, joint holder, black colour casing.	1	0.42	50	59x39x29	21.00	1000	120x80x165	445.00
FT-063 LED MAG M30 5907556010222		Universal LED work lamps 650 lm, 9 diods, magnetic joint holder, black colour casing. The lamp is additionally equipped with a 3 m long spiral lead (in spiral 0.6 m) with a standard 12/24 V cigarette lighter socket plug.	1	0.96	22	59x39x29	22.96	440	120x80x165	447.40
FT-063 LED MAG M78 5907556010239		Universal LED work lamps 650 lm, 9 diods, magnetic joint bracket, black colour casing. The lamp is additionally equipped with a 7.8 m long spiral lead (in spiral 1.2 m) with a standard 12/24 V cigarette lighter socket plug.	1	1.16	22	59x39x29	25.52	440	120x80x165	535.40



2-functional LED lamp – low power consumption
European E9 homologation – reversing light function
ElectroMagnetic Compatibility – EMC certificate
Shock-resistance – PC lampshade
Polarity connection is not optional

Lamp functions:
- reversing light – red wire loom
- universal work field illumination – black wire loom
- ground – white wire loom

Lamp parameters:
- universal supply voltage – from 12V up to 36V DC
- operating temperature: -40°C to +55°C
- effective (measured) light beam – 380 lm (reversing light)
- effective (measured) light beam – 650 lm (work field)
- lamp is resistant to any weather conditions
- lamp is fully airtight

Power consumption:
- reversing light/work light: 12V/24V = 0.5A/0.25A

Power consumption (rated power):
- reversing light/work light: 12V/24V = 6W/6W



ID/EAN	Photo	Description	Unit pack		Multipack / carton			Multipack / pallet		
			qty.	kg	qty.	cm	kg	qty.	cm	kg
FT-064 LED 5907556010208		Universal LED work lamps 650 lm with reversing light function (350 lm), joint holder, black colour casing.	1	0.40	50	59x39x29	20.00	1000	120x80x165	425.00



LED DAYTIME RUNNING Lamps

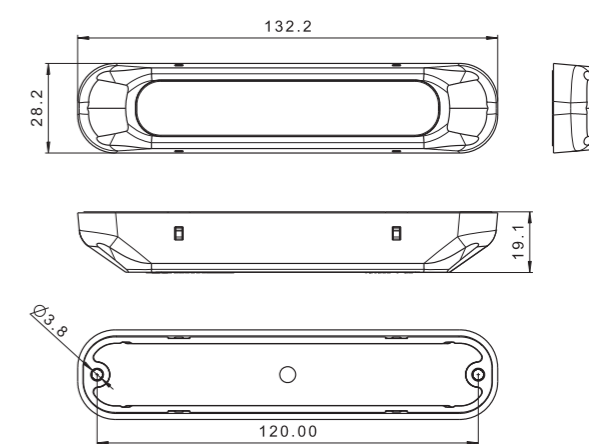
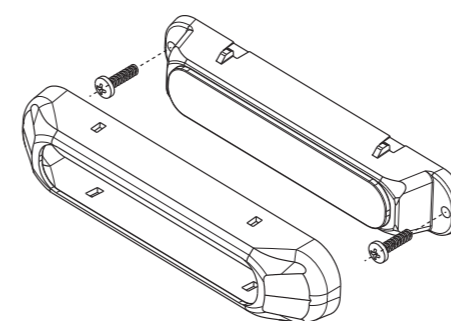
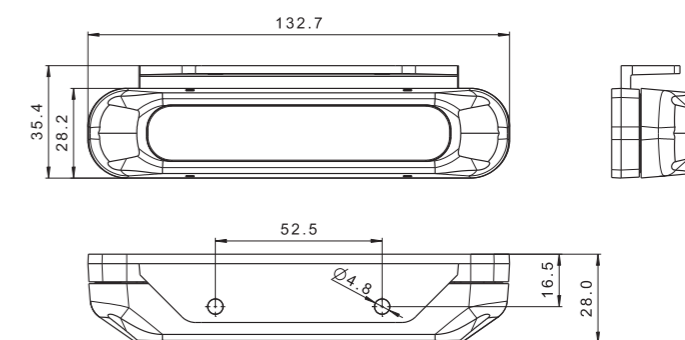
Daytime running lights are a type of **automotive lighting designed for daytime driving**. They can be used in conditions of good air transparency – from dawn to dusk. They provide motor vehicle drivers with adequate visibility of the road and the roadside.



LED daytime running lamp – low power consumption.
 - reverse polarity protection system
 - surge arrester
 - automatic switching-off of daytime running lamps at vehicle start (**STANDBY** system)
 - cable: 3.5 m

Technical specification:
 - supply voltage: **12–36V**
 - operating temperature: **-40°C do +55°C**
 - lamp is resistant to any weather conditions
 - lamp is fully airtight

Power consumption / Rated power consumption:
 - 12V/24V = 0.25A/3W; 0.125A/3W

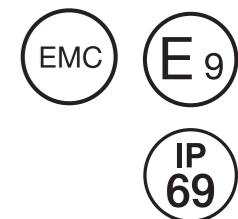


ID/EAN	Photo	Description	Unit pack		Multipack / carton			Multipack / pallet		
			qty.	kg	qty.	cm	kg	qty.	cm	kg
FT-300 LED 5907556012721		Set of daytime running LED lamps, cable's length 3.5 m.	2	0.50	32	59x39x29	16.00	640	120x80x165	345.00



REAR Lamps

Rear lamps are **mandatory** equipment on every vehicle. They are an important element of lighting of trucks, trailers and car carriers. They ensure adequate visibility on the road and safety of all road users.



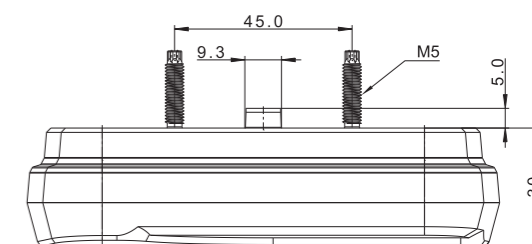
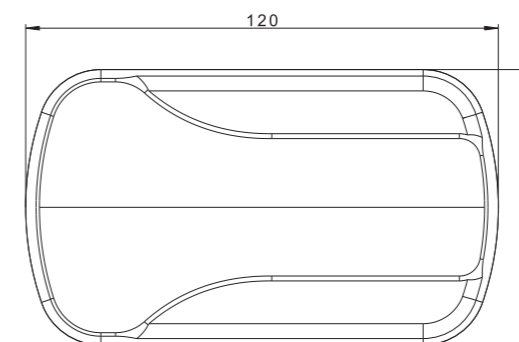
3-functional universal LED rear lamp with NEON position light!
 European E9 homologation
 ElectroMagnetic Compatibility – EMC certificate
 Shock-resistance – PC lampshade
 Reverse polarity protection system
Vertical / horizontal approval

Technical specification:
 - supply voltage: 12–36V DC
 - operating temperature: –40°C to +55°C
 - lamp is resistant to any weather conditions
 - lamp is fully airtight IP69
 - cable out 1 m

Lamp functions:
 - rear position light
 - STOP light
 - indicator

Power consumption:
 - rear position light: 12V/24V = 0,14A/0,07A
 - STOP light: 12V/24V = 0,22A/0,11A
 - indicator: 0,16A/0,08AA

Power consumption / Rated power:
 - rear position light: 12V/24V = 1,7W/1,7W
 - STOP light: 12V/24V = 2,6W/2,6W
 - indicator: 12V/24V = 12V/24V = 2W/2W



ID/EAN	Photo	Description	Unit pack		Multipack / carton		Multipack / pallet			
			qty.	kg	qty.	cm	kg	qty.	cm	kg
FT-350 LED 5907556033412		Universal LED rear lamp 12-36V, 3-functional STOP/POSITIONAL/INDICATOR, 1 m cable.	1	0,246	84	59x39x29	20,664	1680	120x80x165	438,28



3-functional universal LED rear lamp
European E9 homologation
ElectroMagnetic Compatibility – EMC certificate
Shock-resistance – PC lampshade
Reverse polarity protection system

Technical specification:

- supply voltage: 12–36V DC
- operating temperature: –40°C to +55°C
- lamp is resistant to any weather conditions
- lamp is fully airtight IP69
- cable out 1 m

Lamp functions:

- rear position light
- STOP light
- indicator

Power consumption:

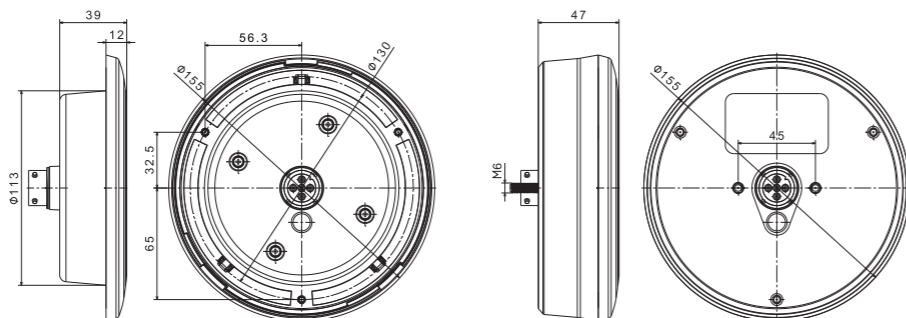
- rear position light : 12V/24V = 0.25A/0.125A
- STOP light: 12V/24V = 0.1A/0.1A
- indicator: 12V/24V = 0.2A/0.1A

Power consumption / Rated power:

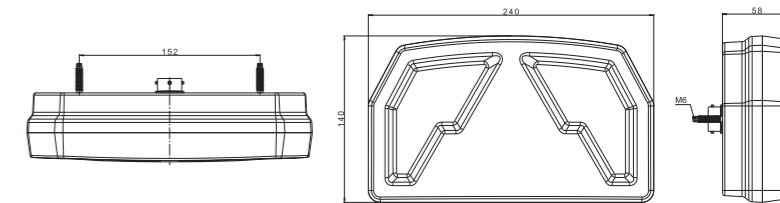
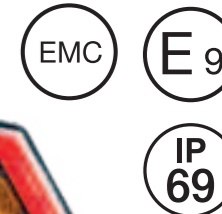
- rear position light : 12V/24V = 3W/3W
- STOP light: 12V/24V = 1.2W/2.4W
- indicator: 12V/24V = 2.4W/2.4W

The products are available in two frame colors:

- **BLACK** - made of high Quality plastic
- **CHROME** - covered with a high Quality *microporus nickel*, coating ensuring corrosion resistance, and a premium chrome coating dedicated to the Automotive industry



ID/EAN	Photo	Description	Unit pack		Multipack / carton			Multipack / pallet		
			qty.	kg	qty.	cm	kg	qty.	cm	kg
FT-313 LED CHROME 5907556031487		Universal LED 3-functional rear lamp, rear position, stop, indicator lights, 12/36V, round recessed lamp, cable 1m.	1	0,400	31	59x39x29	12,400	620	120x80x165	248,00
FT-313 LED CHROME BAJONET 5907556031494		Universal LED 3-functional rear lamp, rear position, stop, indicator lights, 12/36V, round recessed lamp, 5PIN bayonet connector.	1	0,352	31	59x39x29	10,912	620	120x80x165	218,24
FT-313 LED BLACK 5907556031500		Universal LED 3-functional rear lamp, rear position, stop, indicator lights, 12/36V, round recessed lamp, cable 1m.	1	0,390	31	59x39x29	12,090	620	120x80x165	241,80
FT-313 LED BLACK BAJONET 5907556031517		Universal LED 3-functional rear lamp, rear position, stop, indicator lights, 12/36V, round recessed lamp, 5PIN bayonet connector.	1	0,342	31	65x53x47	10,602	620	120x80x165	212,04
FT-313/314 CHROME FRAME 5907556031562		Frame with chrome coating for FT-313 LED and FT-314 LED lamps.	1	0,032		65x53x47			120x80x165	
FT-313/314 BLACK FRAME 5907556031579		Black frame for FT-313 LED and FT-314 LED lamps.	1	0,022		65x53x47			120x80x165	
FT-313/314 COVER 5907556031586		Rear lamp housing for flat mounting of FT-313 LED and FT-314 LED lamps.	1	0,104		65x53x47			120x80x165	



7-functional universal LED lamp – low power consumption
- european homologation E9
- ElectroMagnetic Compatibility (EMC) homologation
- shock-resistance – PC lampshade
- reverse polarity protection system

Technical specification:

- rear running light
- number plate light
- STOP light
- indicator
- fog light
- reflector
- reversing light

Technical specification:

- supply voltage: 12–36V DC
- operating temperature: –40°C to +55°C
- lamp is resistant to any weather conditions
- lamp is fully airtight

Power consumption:

- rear running light + number plate light – 12V/ 24V = 0.25A/ 0.15A
- STOP light – 12V/ 24V = 0.15A/0.08A
- indicator – 12V/ 24V = 0.2A/0.1A
- reversing light – 12V/ 24V = 0.2A/ 0.1A
- fog light – 12V/ 24V = 0.2A/ 0.1A
- version without number plate light: 12V/24V = 0.2A / 0.1A

Power consumption / Rated power:

- rear running light + number plate light – 12/ 24V = 3W/ 3.6W
- STOP light – 12V/ 24V = 2W/ 2W
- indicator – 12V/ 24V = 2.4W/2.4W
- reversing light – 12/ 24V = 2.4W/2.4W
- fog light – 12V/ 24V = 2.4W/2.4W
- version without number plate light: 12V/24V = 2.4W / 2.4W



ID/EAN	Photo	Description	Unit pack		Multipack / carton			Multipack / pallet		
			qty.	kg	qty.	cm	kg	qty.	cm	kg
FT-372 L NT LED 5907556030015		Universal LED rear lamp 12-36V, 6-functional, left without number plate light, 1 m cable.	1			59x39x29			120x80x165	
FT-372 P NT LED 5907556030022		Universal LED rear lamp 12-36V, 6-functional, right without number plate light, 1 m cable.	1			59x39x29			120x80x165	
FT-372 L NT LED BAJONET 6PIN 5907556030039		Universal LED rear lamp 12-36V, 6-functional, left without number plate light, 6 PIN Bayonet connector.	1			59x39x29			120x80x165	
FT-372 P NT LED BAJONET 6PIN 5907556030046		Universal LED rear lamp 12-36V, 6-functional, right without number plate light, 6 PIN Bayonet connector.	1			59x39x29			120x80x165	
FT-372 L TD LED 5907556030053		Universal LED rear lamp 12-36V, 7-functional, left z with bottom number plate light, 1 m cable.	1			65x53x47			120x80x165	
FT-372 P TD LED 5907556030060		Universal LED rear lamp 12-36V, 7-functional, right z with bottom number plate light, 1 m cable.	1			65x53x47			120x80x165	
FT-372 L TD LED BAJONET 6PIN 5907556030077		Universal LED rear lamp 12-36V, 7-functional, left with bottom number plate light, 6 PIN Bayonet connector.	1			65x53x47			120x80x165	
FT-372 P TD LED BAJONET 6PIN 5907556030084		Universal LED rear lamp 12-36V, 7-functional, right with bottom number plate light, 6 PIN Bayonet connector.	1			65x53x47			120x80x165	

LED Control System



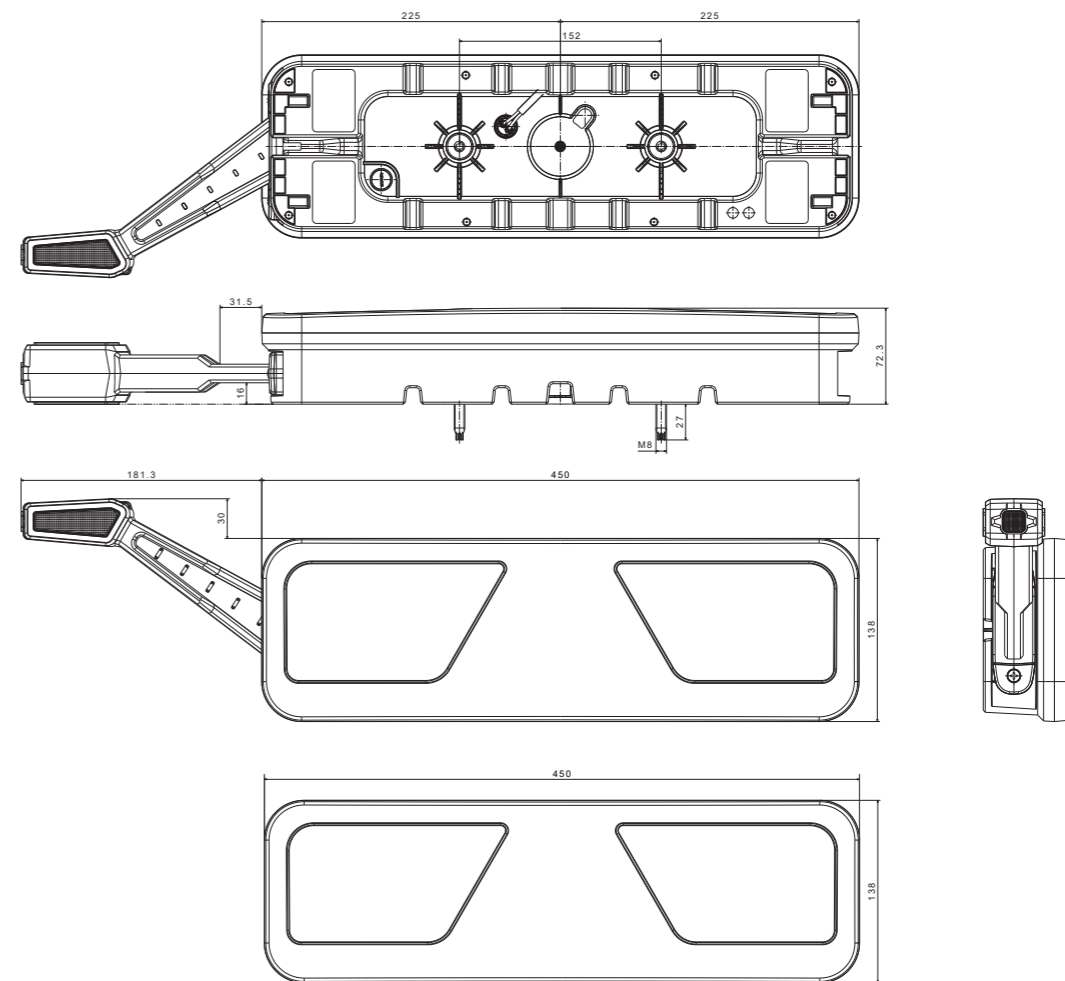
6-functional universal LED lamp – low power consumption
 European homologation E9
 ElectroMagnetic Compatibility (EMC) homologation
 shock-resistance – PC lampshade, ABS enclosure with M8 neck bolts
 Optimised light performance – the patented Amphenol pressure bleeding valve
 Reverse polarity protection system
Integrated LED light control system, which is compatible with vehicle electronic onboard systems to prevent onboard malfunctions and DTCs

Lamp functions:
 - rear running light
 - STOP light
 - indicator
 - reversing light
 - fog light
 - reflector

Lamp parameters:
 - supply voltage: **24V DC**
 - operating temperature: **-40°C to +55°C**
 - lamp is resistant to any weather conditions
 - lamp is fully airtight

Power consumption:
 - rear light: **24V = 0.2A**
 - STOP light: **24V = 0.8A**
 - indicator: **24V = 0.85A**
 - reversing light: **24V = 0.25A**
 - fog light: **24V = 0.2A**

Power consumption / Rated power:
 - rear light: **24V = 5W**
 - STOP light: **24V = 20W**
 - indicator: **24V = 21W**
 - reversing light: **24V = 6.5W**
 - fog light: **24V = 5W**



ID/EAN	Photo	Description	Unit pack		Multipack / carton		Multipack / pallet			
			qty.	kg	qty.	cm	kg	qty.	cm	kg
FT-700-066 L LED 5907556016651		Universal LED rear lamp, left, 24V, 6-functional, STOP/ POSITION/ INDICATOR/ REVERSING/ FOG/ REFLECTIVE TRIANGLE, 2.5 m cable.	1	1,740	6	59x39x29	11,00	120	120x80x165	220,00
FT-700-066 P LED 5907556016668		Universal LED rear lamp, right, 24V, 6-functional, STOP/ POSITION/ INDICATOR/ REVERSING/ FOG/ REFLECTIVE TRIANGLE, 2.5 m cable.	1	1,740	6	59x39x29	11,00	120	120x80x165	220,00
FT-700-066 L LED AMP 7PIN 5907556017719		Universal LED rear lamp, left, 24V, 6-functional, STOP/ POSITION/ INDICATOR/ REVERSING/ FOG/ REFLECTIVE TRIANGLE, AMP 7PIN connector.	1	1,740	6	59x39x29	11,00	120	120x80x165	220,00
FT-700-066 P LED AMP 7PIN 5907556017726		Universal LED rear lamp, right, 24V, 6-functional, STOP/ POSITION/ INDICATOR/ REVERSING/ FOG/ REFLECTIVE TRIANGLE, AMP 7PIN connector.	1	1,740	6	59x39x29	11,00	120	120x80x165	220,00
FT-700-146 L LED 5907556016675		Universal LED rear lamp, left, 24V, 6-functional, STOP/ POSITION/ INDICATOR/ REVERSING/ FOG/ REFLECTIVE TRIANGLE, outline marker lamp, 2.5 m cable.	1	2,000	12	65x53x47	24,00	72	120x80x165	144,00
FT-700-146 P LED 5907556016682		Universal LED rear lamp, right, 24V, 6-functional, STOP/ POSITION/ INDICATOR/ REVERSING/ FOG/ REFLECTIVE TRIANGLE, outline marker lamp, 2.5 m cable.	1	2,000	12	65x53x47	24,00	72	120x80x165	144,00
FT-700-146 L LED AMP 7PIN 5907556017733		Universal LED rear lamp, left, 24V, 6-functional, STOP/ POSITION/ INDICATOR/ REVERSING/ FOG/ REFLECTIVE TRIANGLE, outline marker lamp, AMP 7PIN connector.	1	2,000	12	65x53x47	24,00	72	120x80x165	144,00
FT-700-146 P LED AMP 7PIN 5907556017740		Universal LED rear lamp, right, 24V, 6-functional, STOP/ POSITION/ INDICATOR/ REVERSING/ FOG/ REFLECTIVE TRIANGLE, outline marker lamp, AMP 7PIN connector.	1	2,000	12	65x53x47	24,00	72	120x80x165	144,00



12V



ONE lamp, TWO faces!

A NEW LAMP available with LIGHT CONTROL SYSTEM.

Universal LED lamp – low power consumption
European homology E9
ElectroMagnetic Compatibility (EMC) homologate on shock-resistance – PC lampshade reverse polarity protection system

Lamp functions:

- rear running light
- STOP light
- indicator
- reversing light
- fog light
- reflector

Technical specification:

- supply voltage: 12–15V DC
- operating temperature: -40°C to +55°C
- lamp is resistant to any weather conditions

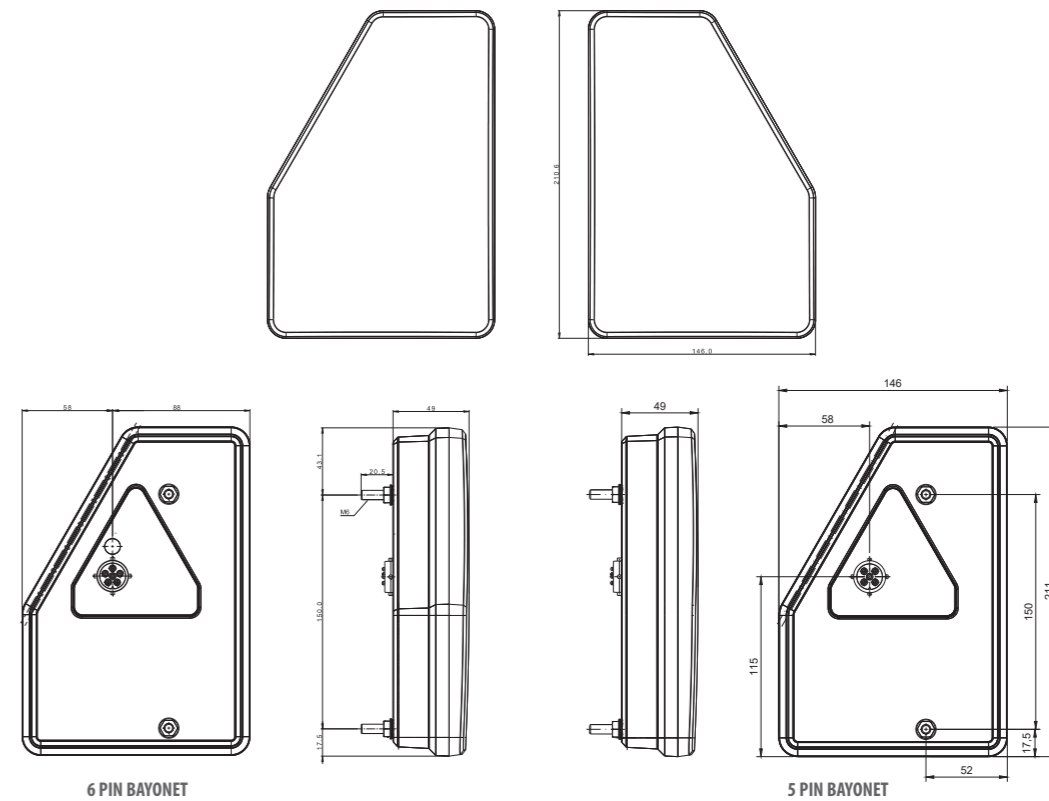
Power consumption:

- rear running light
- STOP light:
- indicator:
- reversing light:
- fog light:

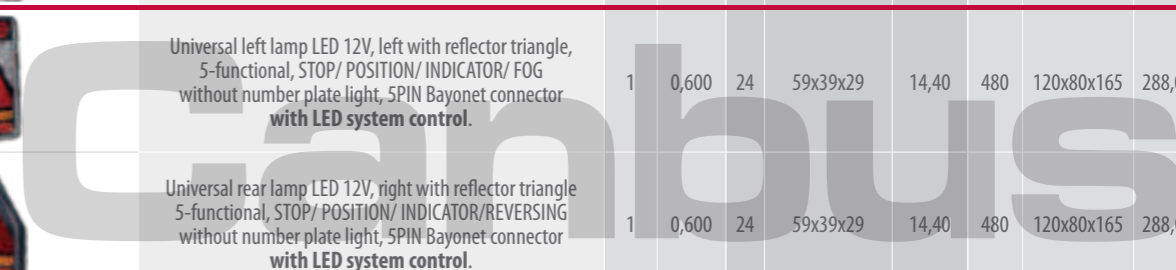
Power consumption / Rated power:

- rear running light
- STOP light:
- indicator:
- reversing light:
- fog light:

FT-270 LED	FT-270 LED with light control system – system CANBUS
12V = 0.1A	12V = 0.4A
12V = 0.3A	12V = 0.4A
12V = 0.35A	12V = 1.25A
12V = 0.25A	12V = 0.35A
12V = 0.35A	12V = 0.4A
12V = 1.2W	12V = 5W
12V = 3.6W	12V = 5W
12V = 4.2W	12V = 15W
12V = 3W	12V = 4W
12V = 4.2W	12V = 5W



ID/EAN	Photo	Description	Unit pack		Multipack / carton		Multipack / pallet			
			qty.	kg	qty.	cm	kg	qty.	cm	kg
FT-277 L LED 5907556016125		Universal left lamp LED 12V, left with reflector triangle, 6-functional STOP/ POSITION/ INDICATOR/ FOG/ REVERSING, without number plate light., 1 m wire loom.	1	0,650	24	59x39x29	15,60	480	120x80x165	308,00
FT-277 L LED BAJONET 6PIN 5907556016149		Universal left lamp LED 12V, left with reflector triangle, 6-functional STOP/ POSITION/ INDICATOR/ FOG/ REVERSING, without number plate light., 6 PIN BAYONET connector.	1	0,600	24	59x39x29	14,40	480	120x80x165	288,00
FT-277 P LED 5907556016163		Universal rear lamp LED 12V, right with reflector triangle, 6-functional STOP/ POSITION/ INDICATOR/ FOG/ REVERSING, without number plate light., 1 m wire loom.	1	0,650	24	59x39x29	15,60	480	120x80x165	308,00
FT-277 P LED BAJONET 6PIN 5907556016187		Universal rear lamp LED 12V, right with reflector triangle, 6-functional STOP/ POSITION/ INDICATOR/ FOG/ REVERSING, without number plate light., 6 PIN BAYONET connector.	1	0,600	24	59x39x29	14,40	480	120x80x165	288,00
FT-277 L LED SPKPM BAJONET 5PIN 5907556017085		Universal left lamp LED 12V, left with reflector triangle, 5-functional, STOP/ POSITION/ INDICATOR/ FOG without number plate light, 5PIN Bayonet connector.	1	0,600	24	59x39x29	14,40	480	120x80x165	288,00
FT-277 P LED SPKCOF BAJONET 5PIN 5907556017092		Universal rear lamp LED 12V, right with reflector triangle, 5-functional, STOP/ POSITION/ INDICATOR/ REVERSING without number plate light, 5PIN Bayonet connector.	1	0,600	24	59x39x29	14,40	480	120x80x165	288,00
FT-277 L LED O SPKPM BAJONET 5PIN 5907556018372		Universal left lamp LED 12V, left with reflector triangle, 5-functional, STOP/ POSITION/ INDICATOR/ FOG without number plate light, 5PIN Bayonet connector with LED system control.	1	0,600	24	59x39x29	14,40	480	120x80x165	288,00
FT-277 P LED O SPKCOF BAJONET 5PIN 5907556018389		Universal rear lamp LED 12V, right with reflector triangle, 5-functional, STOP/ POSITION/ INDICATOR/ REVERSING without number plate light, 5PIN Bayonet connector with LED system control.	1	0,600	24	59x39x29	14,40	480	120x80x165	288,00



FT-600 LED
(version for vehicle)



WWW

VIDEO

INTELLIGENT STOP LIGHT

As a new trend on the market the lamp uses intelligent STOP light technology. When the fog light is on, the STOP function beams partly to meet requirements for approval.

dynamic indicator

FT-610 LED
(version for trailer)



WWW

VIDEO



7-functional universal LED lamp – low power consumption
European homologation E9
ElectroMagnetic Compatibility (EMC) homologation
Shock-resistance – PC lampshade
Reverse polarity protection system

Lamp functions:

- rear running light
- number plate light (bottom)
- STOP light
- indicator
- reversing light
- fog light
- reflector

Technical specification:

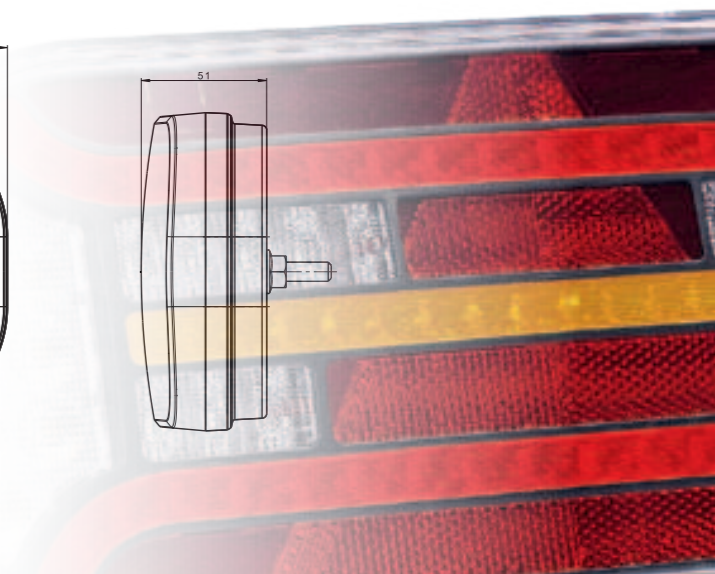
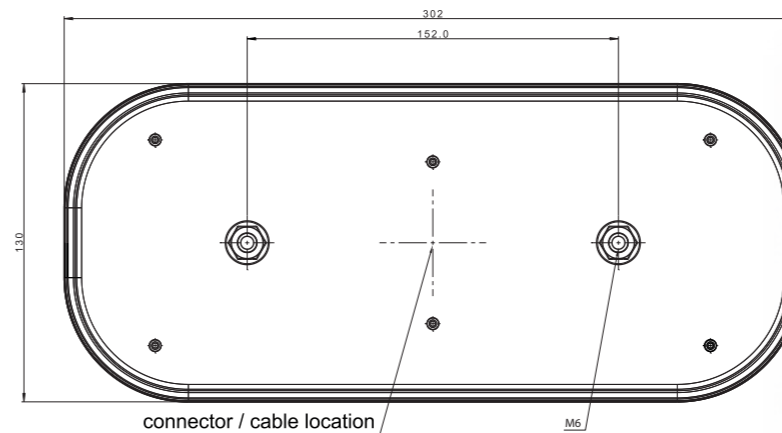
- supply voltage: 12–36V DC
- operating temperature: -40°C do +55°C
- lamp is resistant to any weather conditions
- lamp is fully airtight

Power consumption:

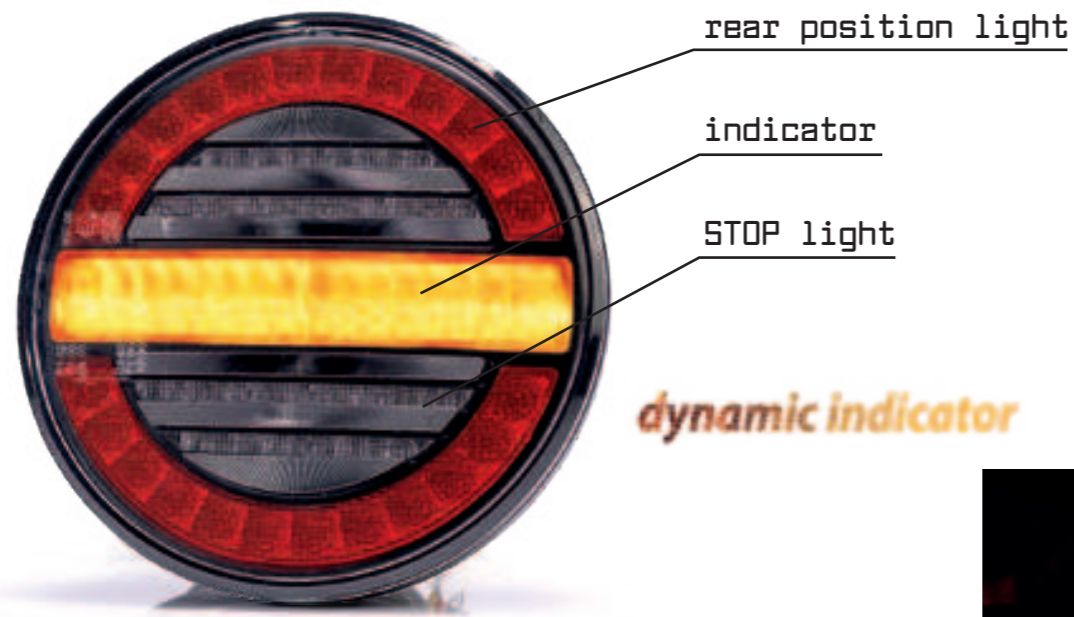
- rear running light + number plate light: 12V/24V = 0.2A/0.2A
- STOP light: 12V/24V = 0.3A/0.3A
- indicator: 12V/24V = 0.85A/0.85A
- reversing light: 12V/24V = 0.2A/0.25A
- fog light: 12V/24V = 0.15A/0.15A

Power consumption / Rated power:

- rear running light + number plate light: 12V/24V = 2.5W/5W
- STOP light: 12V/24V = 4W/8W
- indicator: 12V/24V = 10W/20W
- reversing light: 12V/24V = 2.5W/6W
- fog light: 12V/24V = 2W/4W



ID/EAN	Photo	Description	Unit pack		Multipack / carton			Multipack / pallet		
			qty.	kg	qty.	cm	kg	qty.	cm	kg
FT-600 L LED DI 5907556014886		Universal LED rear lamp 12-36V, left 6-functional, stop/ position/ indicator/ reversing/ fog/ reflector without number plate light, 1 m cable.	1	1,05	20	59x39x29	20,50	400	120x80x165	410,00
FT-600 LT LED DI 5907556014893		Universal LED rear lamp 12-36V, left 7-functional, stop/ position/ indicator/ reversing/ fog/ reflector with number plate light, 1 m cable.	1	0,95	20	59x39x29	20,30	400	120x80x165	406,00
FT-600 P LED DI 5907556014909		Universal LED rear lamp 12-36V, right 6-functional, stop/ position/ indicator/ reversing/ fog/ reflector without number plate light, 1 m cable.	1	1,05	20	59x39x29	20,50	400	120x80x165	410,00
FT-600 PT LED DI 5907556014916		Universal LED rear lamp 12-36V, right 7-functional, stop/ position/ indicator/ reversing/ fog/ reflector with number plate light, 1 m cable.	1	0,95	20	59x39x29	20,30	400	120x80x165	406,00
FT-600 L LED DI BAJONET 6PIN 5907556017788		Universal LED rear lamp 12-36V, left 6-functional, stop/ position/ indicator/ reversing/ fog/ reflector without number plate light, bajonet 6PIN connector.	1			59x39x29			120x80x165	
FT-600 P LED DI BAJONET 6PIN 5907556017795		Universal LED rear lamp 12-36V, right 6-functional, stop/ position/ indicator/ reversing/ fog/ reflector without number plate light, bajonet 6PIN connector.	1			59x39x29			120x80x165	
FT-610 L LED DI 5907556015005		Universal LED rear lamp with reflective triangle, 12-36V, left 6-functional, stop/ position/ indicator/ reversing/ fog without number plate light, 1 m cable.	1	0,95	20	59x39x29	20,30	400	120x80x165	406,00
FT-610 LT LED DI 5907556015012		Universal LED rear lamp with reflective triangle, 12-36V, left 6-functional, stop/ position/ indicator/ reversing/ fog with number plate light, 1 m cable.	1	1,05	20	59x39x29	20,50	400	120x80x165	410,00
FT-610 P LED DI 5907556015029		Universal LED rear lamp with reflective triangle, 12-36V, right 6-functional, stop/ position/ indicator/ reversing/ fog without number plate light, 1 m cable.	1	0,95	20	59x39x29	20,30	400	120x80x165	406,00
FT-610 PT LED DI 5907556015036		Universal LED rear lamp with reflective triangle, 12-36V, right 6-functional, stop/ position/ indicator/ reversing/ fog with number plate light, 1 m cable.	1	1,05	20	59x39x29	20,50	400	120x80x165	410,00
FT-610 L LED DI BAJONET 6PIN 5907556017801		Universal LED rear lamp with reflective triangle, 12-36V, left 6-functional, stop/ position/ indicator/ reversing/ fog without number plate light, bajonet 6PIN connector.	1	0,95	20	59x39x29	20,30	400	120x80x165	406,00
FT-610 P LED DI BAJONET 6PIN 5907556017818		Universal LED rear lamp with reflective triangle, 12-36V, right 6-functional, stop/ position/ indicator/ reversing/ fog without number plate light, bajonet 6PIN connector.	1	0,95	20	59x39x29	20,30	400	120x80x165	406,00



3-functional universal LED rear lamp – low power consumption
 European E9 homologation
 ElectroMagnetic Compatibility – EMC certificate
 Shock-resistance – PC lampshade
 Reverse polarity protection system
 The lamp depth is only 35 mm
Dynamic indicator
Crystal-like position light

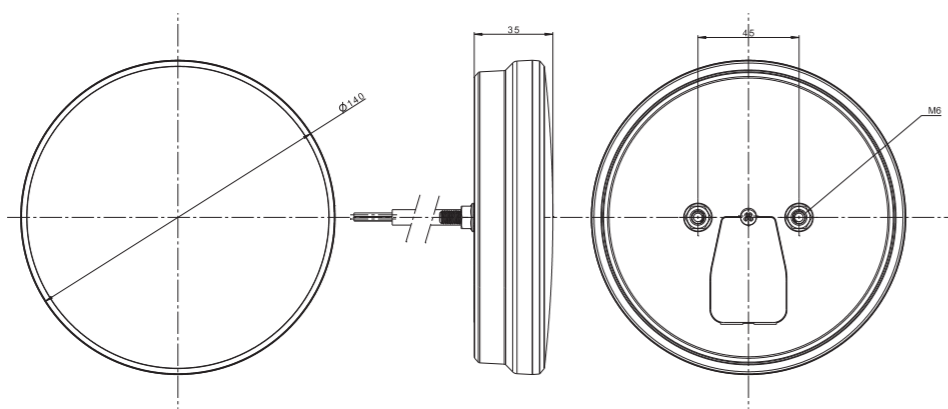
In the lamp it has been used an innovative position light that imitates microcrystals. This solution creates the illusion of living light, even while looking at the lamp from different angles.

Lamp functions:
 - rear position light
 - STOP light
 - indicator

Technical specification:
 - supply voltage: 12–36V DC
 - operating temperature: –40°C to +55°C
 - lamp is resistant to any weather conditions
 - lamp is fully airtight
 - cable out 1 m

Power consumption:
 - rear position light : 12V/24V = 0.05A/0.05A
 - STOP light: 12V/24V = 0.2A/0.2A
 - indicator: 12V/24V = 0.35A/0.35A

Power consumption / Rated power:
 - rear position light : 12V/24V = 0.6W/1.2W
 - STOP light: 12V/24V = 2.5W/5W
 - indicator: 12V/24V = 4.5W/9W



ID/EAN	Photo	Description	Unit pack		Multipack / carton			Multipack / pallet		
			qty.	kg	qty.	cm	kg	qty.	cm	kg
FT-213 LED DI 5907556015302		Universal LED 3-functional rear lamp 12/24V, round for separate mounting, rear position, stop, indicator lights, cable 1 m.	1	0,384	50	59x39x29	19,40	1000	120x80x165	413,00



dynamic indicator

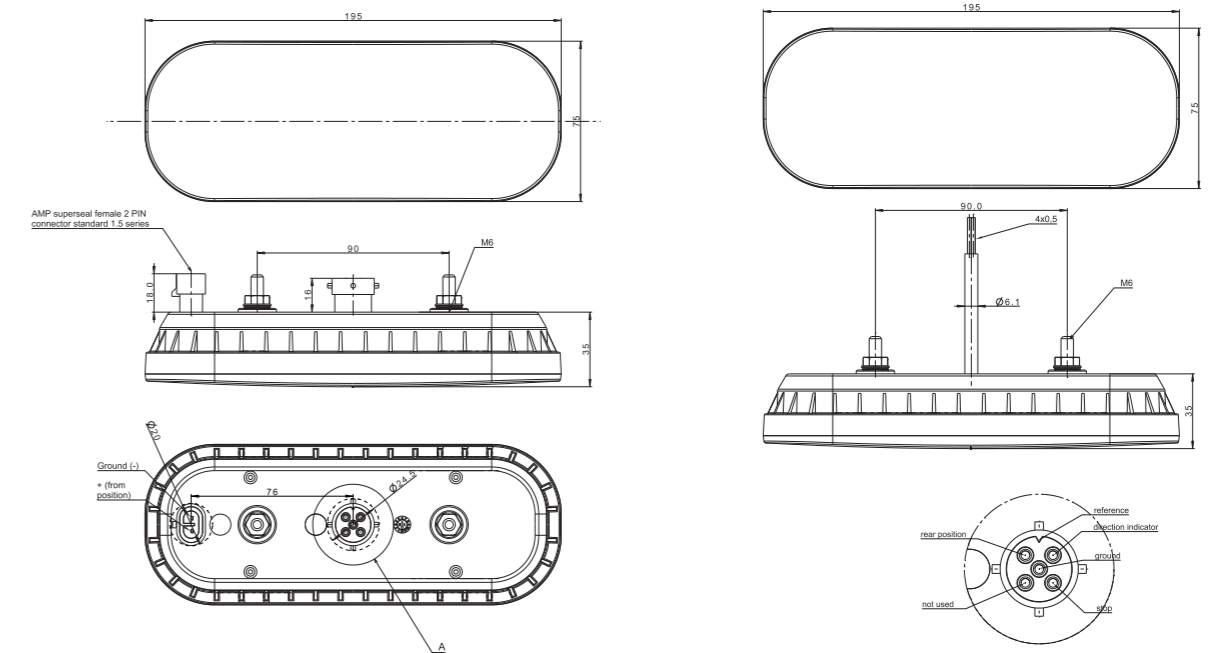
3-functional LED lamp – low power consumption
 European homologation E9 – horizontal assembly only
 ElectroMagnetic Compatibility (EMC); R10 homologation
 Shock-resistance – PC lampshade
 Reverse polarity protection system
 Dynamic indicator

Lamp functions:
 - Rear running light
 - STOP light
 - Indicator

Technical specification:
 - supply voltage: 12–36V DC
 - operating temperature: –40°C to +55°C
 - lamp is resistant to any weather conditions
 - lamp is fully airtight

Power consumption:
 - rear running light: 12V/24V = 0.1A/0.1A
 - STOP light: 12V/24V = 0.2A/0.2A
 - indicator: 12V/24V = 0.35A/0.35A

Power consumption (rated power):
 - rear running light: 12V/24V = 1.5W/3W
 - STOP light: 12V/24V = 2.5W/5W
 - indicator: 12V/24V = 4.5W/9W



ID/EAN	Photo	Description	Unit pack		Multipack / carton			Multipack / pallet		
			qty.	kg	qty.	cm	kg	qty.	cm	kg
FT-320 LED DI 5907556013803		Universal LED rear lamp with a wiring loom, smoked lampshade.	1	0.384	60	59x39x29	23.04	1200	120x80x165	485.80
FT-320 LED DI BAJONET 5907556013810		Universal LED rear lamp, with a bayonet connector, smoked lampshade.	1	0.316	60	59x39x29	18.96	1200	120x80x165	404.20
FT-320 LED DI BAJONET + SS 5907556013827		Universal LED rear lamp with a bayonet connector and an additional Super Seal socket for fog or reverse light.	1	0.326	60	59x39x29	19.56	1200	120x80x165	416.20

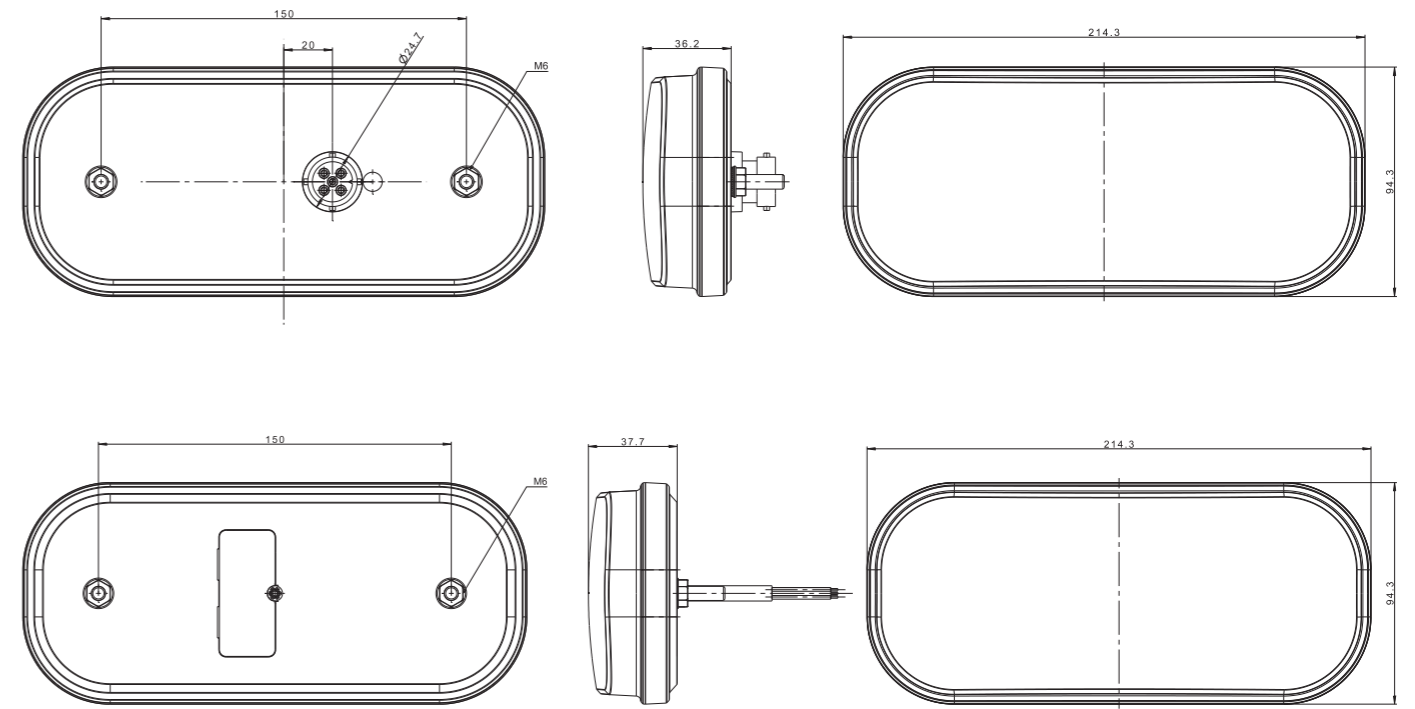
FT-230 PM LED DI



dynamic indicator



FT-230 COF LED DI



- 6-functional LED rear lamp - low power consumption
- European homologation E9
- ElectroMagnetic Compatibility (EMC) homologation R10
- shock-resistance – PC lampshade
- reverse polarity protection system

- Lamp functions:**
- rear running light
 - number plate light homologated on an universal performance 34.4 mm <<X>> 102.2 mm; version NT – has no function of number plate light
 - STOP light
 - indicator
 - reversing light (version COF), or fog light (version PM)
 - reflector

- Technical specification:**
- supply voltage: 12–36V DC
 - operating temperature: –40°C to +55°C
 - lamp is resistant to any weather conditions
 - lamp is fully airtight

- Power consumption:**
- rear running light + number plate light: 12V/24V = 0.12A/0.12A
 - STOP light: 12V/24V = 0.12A/0.12A
 - indicator: 12V/24V = 0.35A/0.35A
 - reversing light: 12V/24V = 0.22A/0.22A
 - fog light: 12V/24V = 0.16A/0.16A

- Power consumption / Rated power:**
- rear running light + number plate light: 12V/24V = 1.5W/3W
 - STOP light: 12V/24V = 1.5W/3W
 - indicator: 12V/24V = 4.5W/9W
 - reversing light: 12V/24V = 2.8W/5.5W
 - fog light: 12V/24V = 2W/4W



ID/EAN	Photo	Description	Unit pack		Multipack / carton		Multipack / pallet			
			qty.	kg	qty.	cm	kg	qty.	cm	kg
FT-230 COF LED DI 5907556014169		Universal LED rear lamp 12-36V, 6-functional, STOP/POSITION/INDICATOR/REVERSING/NUMBER PLATE LIGHT/REFLECTOR, dynamic indicator, 1 m wire loom.	1	0.48	40	59x39x29	19.20	800	120x80x165	409.00
FT-230 COF LED DI BAJONET 5PIN 5907556014176		Universal LED rear lamp 12-36V, 6-functional STOP/POSITION/INDICATOR/REVERSING/NUMBER PLATE LIGHT/REFLECTOR, dynamic indicator, 5 PIN bayonet connector.	1	0.41	40	59x39x29	16.40	800	120x80x165	353.00
FT-230 PM LED DI 5907556014183		Universal LED rear lamp 12-36V, 6-functional STOP/POSITION/INDICATOR/FOG/NUMBER PLATE LIGHT/REFLECTOR, dynamic indicator, 1 m wire loom.	1	0.48	40	59x39x29	19.20	800	120x80x165	409.00
FT-230 PM LED DI BAJONET 5PIN 5907556014190		Universal LED rear lamp 12-36V, 6-functional STOP/POSITION/INDICATOR/FOG/NUMBER PLATE LIGHT/REFLECTOR, dynamic indicator, 5 PIN bayonet connector.	1	0.41	40	59x39x29	16.40	800	120x80x165	353.00
FT-230 NT COF LED DI 5907556014206		Universal LED rear lamp 12-36V, 5-functional STOP/POSITION/INDICATOR/REVERSING/REFLECTOR without number plate light., dynamic indicator, 1 m wire loom.	1	0.48	40	59x39x29	19.20	800	120x80x165	409.00
FT-230 NT COF LED DI BAJONET 5PIN 5907556014213		Universal LED rear lamp 12-36V, 5-functional STOP/POSITION/INDICATOR/REVERSING/REFLECTOR without number plate light., dynamic indicator, 5 PIN bayonet connector.	1	0.41	40	59x39x29	16.40	800	120x80x165	353.00
FT-230 NT PM LED DI 5907556014220		Universal LED rear lamp 12-36V, 5-functional STOP/POSITION/INDICATOR/FOG/REFLECTOR without number plate light., dynamic indicator, 1 m wire loom.	1	0.48	40	59x39x29	19.20	800	120x80x165	409.00
FT-230 NT PM LED DI BAJONET 5 PIN 5907556014237		Universal LED rear lamp 12-36V, 5-functional STOP/POSITION/INDICATOR/FOG/REFLECTOR without number plate light., dynamic indicator, 5 PIN bayonet connector.	1	0.41	40	59x39x29	16.40	800	120x80x165	353.00



12V



ONE lamp, TWO faces!

A NEW LAMP available with LIGHT CONTROL SYSTEM.

Universal LED lamp – low power consumption
European homologation E9
ElectroMagnetic Compatibility (EMC) homologate on shock-resistance – PC lampshade reverse polarity protection system

Lamp functions:

- rear running light
- number plate light
- STOP light
- indicator
- fog light (depending on the version)
- reversing light (depending on the version)
- reflector (triangle)

Technical specification:

- supply voltage: 12–15V DC
- operating temperature: –40°C to +55°C
- lamp is resistant to any weather conditions
- lamp is fully airtight

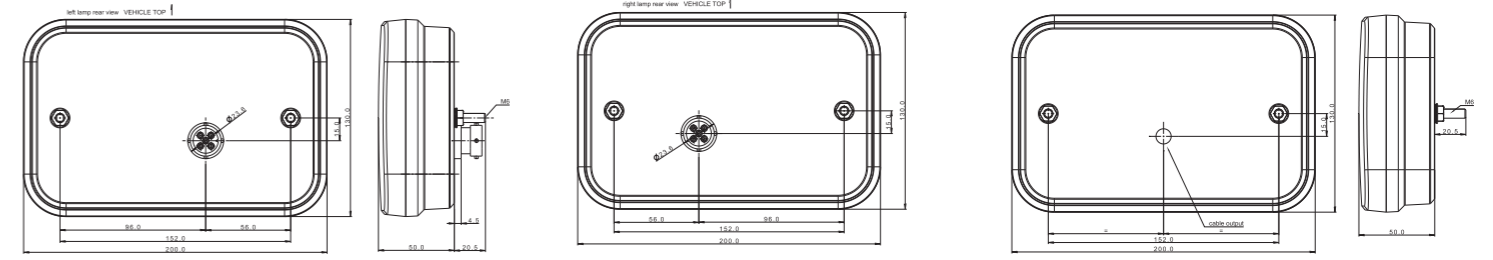
Power consumption:

- rear running light
- + number plate light:
- version without number plate light:
- STOP light:
- indicator:
- reversing light:
- fog light:

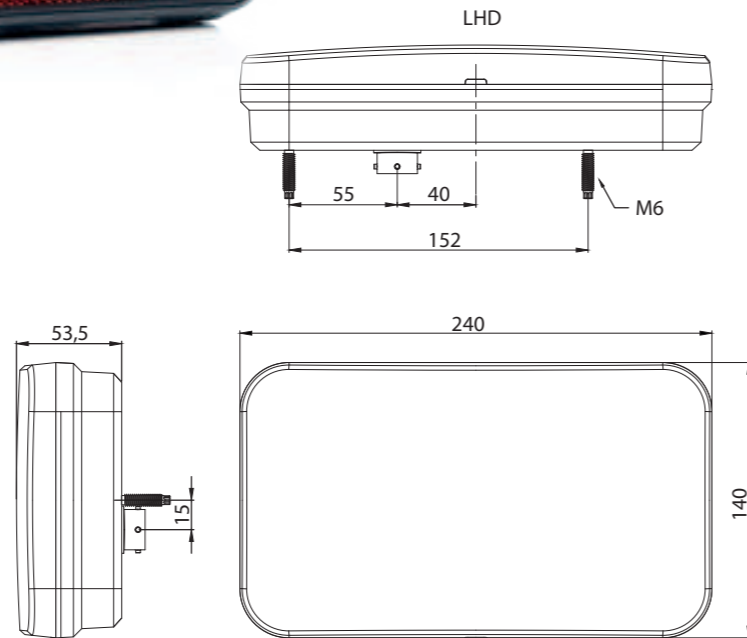
Power consumption / Rated power:

- rear running light
- + number plate light:
- version without number plate light:
- STOP light:
- indicator:
- reversing light:
- fog light:

FT-270 LED	FT-270 LED with light control system – system CANBUS
12V = 0.1A	12V = 0.4A
12V = 0.05A	12V = 0.35A
12V = 0.2A	12V = 0.4A
12V = 0.2A	12V = 1.25A
12V = 0.2A	12V = 0.35A
12V = 0.2A	12V = 0.4A
12V = 1.2W	12V = 5W
12V = 0.6W	12V = 4W
12V = 2.4W	12V = 5W
12V = 2.4W	12V = 15W
12V = 2.4W	12V = 4W
12V = 2.4W	12V = 5W



ID/EAN	Photo	Description	Unit pack		Multipack / carton		Multipack / pallet			
			qty.	kg	qty.	cm	kg	qty.	cm	kg
FT-270 L NT LED PM 5907556014510		Universal rear lamp LED 12V, left with reflector triangle, 5-functional STOP/ POSITION/INDICATOR /FOG, without number plate light., 1 m wire loom.	1	0.65	22	59x39x29	14.30	440	120x80x165	311.00
FT-270 L NT LED PM BAJONET 5 PIN 5907556014534		Universal rear lamp LED 12V, left with reflector triangle, 5-functional STOP/ POSITION/INDICATOR /FOG, without number plate light., 5 PIN BAYONET connector.	1	0.60	22	59x39x29	13.20	440	120x80x165	289.00
FT-270 L TB LED PM 5907556014558		Universal rear lamp LED 12V, left with reflector triangle, 6-functional STOP/ POSITION/INDICATOR /FOG, with number plate light., 1 m wire loom.	1	0.65	22	59x39x29	14.30	440	120x80x165	311.00
FT-270 L TB LED PM BAJONET 5PIN 5907556014572		Universal rear lamp LED 12V, left with reflector triangle, 6-functional STOP/ POSITION/INDICATOR /FOG, with number plate light., 5 PIN BAYONET connector.	1	0.60	22	59x39x29	13.20	440	120x80x165	289.00
FT-270 P NT LED COF 5907556014527		Universal rear lamp LED 12V, right with reflector triangle, 5-functional STOP/ POSITION/INDICATOR /REVERSING, without number plate light., 1 m wire loom.	1	0.65	22	59x39x29	14.30	440	120x80x165	311.00
FT-270 P NT LED COF BAJONET 5PIN 5907556014541		Universal rear lamp LED 12V, right with reflector triangle, 5-functional STOP/ POSITION/INDICATOR /REVERSING, without number plate light., 5 PIN BAYONET connector.	1	0.60	22	59x39x29	13.20	440	120x80x165	289.00
FT-270 P TB LED COF 5907556014565		Universal rear lamp LED 12V, right with reflector triangle, 6-functional STOP/ POSITION/INDICATOR /REVERSING, with number plate light., 1 m wire loom.	1	0.65	22	59x39x29	14.30	440	120x80x165	311.00
FT-270 P TB LED COF BAJONET 5 PIN 5907556014589		Universal rear lamp LED 12V, right with reflector triangle, 6-functional STOP/ POSITION/INDICATOR /REVERSING, with number plate light., 5 PIN BAYONET connector.	1	0.60	22	59x39x29	13.20	440	120x80x165	289.00
FT-270 L NT LED O PM BAJONET 5 PIN 5907556016200		Universal rear lamp LED 12V, left with reflective triangle, 5-functional, STOP/ POSITION/ INDICATOR/ FOG without number plate light, 5 PIN Bayonet connector, with LED control system.	1	0.60	22	59x39x29	13.20	440	120x80x165	289.00
FT-270 L TB LED O PM BAJONET 5PIN 5907556016217		Universal rear lamp LED 12V, left with reflective triangle, 6-functional, STOP/ POSITION/ INDICATOR/ FOG with side number plate light, 5 PIN Bayonet connector, with LED system control.	1	0.60	22	59x39x29	13.20	440	120x80x165	289.00
FT-270 P NT LED O COF BAJONET 5PIN 5907556016224		Universal rear lamp LED 12V, right with reflective triangle, 5-functional, STOP/ POSITION/ INDICATOR/ REVERSING without number plate light, 5 PIN Bayonet connector, with LED system control.	1	0.60	22	59x39x29	13.20	440	120x80x165	289.00
FT-270 P TB LED O COF BAJONET 5 PIN 5907556016231		Universal rear lamp LED 12V, right with reflective triangle, 6-functional, STOP/ POSITION/ INDICATOR /REVERSING with side number plate light, 5 PIN Bayonet connector, with LED system control.	1	0.60	22	59x39x29	13.20	440	120x80x165	289.00



ONE lamp, TWO faces!

LIGHT CONTROL SYSTEM

Universal LED lamp – low power consumption
European homologation E9
ElectroMagnetic Compatibility (EMC) homologate on shock-resistance – PC lampshade reverse polarity protection system

Lamp functions:

- rear running light
- STOP light
- indicator
- fog light
- reversing light
- number plate light (depending on the version)
- reflector (triangle) kat. IIIA

Technical specification:

- supply voltage: 12–36V DC, (FT-371 LED 0: 12–15V DC)
- operating temperature: –40°C to +55°C
- lamp is resistant to any weather conditions
- lamp is fully airtight

Power consumption:

- rear running light:
- STOP light:
- indicator:
- reversing light:
- fog light:

Power consumption / Rated power:

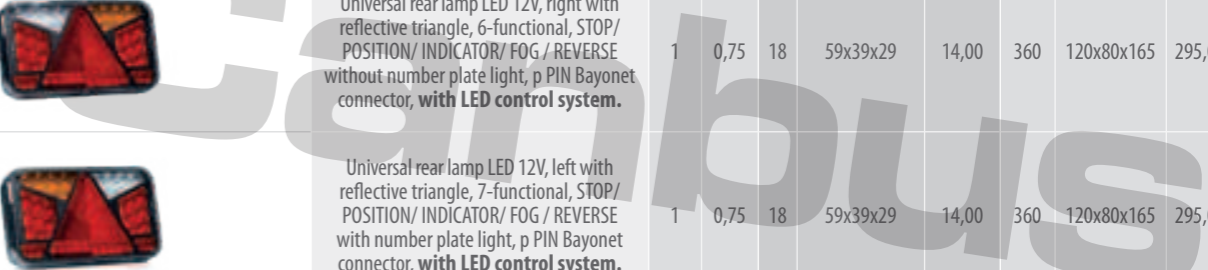
- rear running light:
- STOP light:
- indicator:
- reversing light:
- fog light:

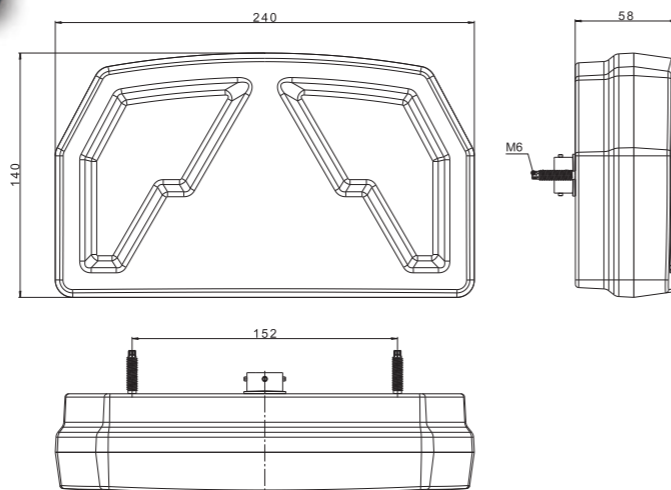
FT-370 LED	
12V/24V – 0.1A/0.1A	
12V/24V – 0.15A/0.08A	
12V/24V – 0.3A/0.3A	
12V/24V – 0.2A/0.1A	
12V/24V – 0.3A/0.15A	

FT-370 LED 0 with light control system – system CANBUS	
12V = 0.4A	
12V = 0.55A	
12V = 1.2A	
12V = 0.3A	
12V = 0.3A	



ID/EAN	Photo	Description	Unit pack		Multipack / carton			Multipack / pallet		
			qty.	kg	qty.	cm	kg	qty.	cm	kg
FT-370 L NT LED 5907556017184		Universal rear lamp LED 12-36V, left with reflective triangle, 6-functional STOP / POSITION / INDICATOR / FOG / REVERSE, without number plate light., 1 m cable.	1	0,80	18	59x39x29	14,90	360	120x80x165	313,00
FT-370 P NT LED 5907556017191		Universal rear lamp LED 12-36V, right with reflective triangle, 6-functional STOP / POSITION / INDICATOR / FOG / REVERSE, without number plate light., 1 m cable.	1	0,80	18	59x39x29	14,90	360	120x80x165	313,00
FT-370 L NT LED BAJONET 6PIN 5907556017207		Universal rear lamp LED 12-36V, left with reflective triangle, 6-functional STOP / POSITION / INDICATOR / FOG / REVERSE, without number plate light., 6 PIN Bayonet connector.	1	0,75	18	59x39x29	14,00	360	120x80x165	295,00
FT-370 P NT LED BAJONET 6PIN 5907556017214		Universal rear lamp LED 12-36V, right with reflective triangle, 6-functional STOP / POSITION / INDICATOR / FOG / REVERSE, without number plate light., 6 PIN Bayonet connector.	1	0,75	18	59x39x29	14,00	360	120x80x165	295,00
FT-370 L TB LED 5907556017221		Universal rear lamp LED 12-36V, left with reflective triangle, 7-functional STOP / POSITION / INDICATOR / FOG / REVERSE, with number plate light., 1 m cable.	1	0,80	18	59x39x29	14,90	360	120x80x165	313,00
FT-370 P TB LED 5907556017238		Universal rear lamp LED 12-36V, right with reflective triangle, 7-functional STOP / POSITION / INDICATOR / FOG / REVERSE, with number plate light., 1 m cable.	1	0,80	18	59x39x29	14,90	360	120x80x165	313,00
FT-370 L TB LED BAJONET 6PIN 5907556017245		Universal rear lamp LED 12-36V, left with reflective triangle, 7-functional STOP / POSITION / INDICATOR / FOG / REVERSE, with number plate light., 6 PIN Bayonet connector.	1	0,75	18	59x39x29	14,00	360	120x80x165	295,00
FT-370 P TB LED BAJONET 6PIN 5907556017252		Universal rear lamp LED 12-36V, right with reflective triangle, 7-functional STOP / POSITION / INDICATOR / FOG / REVERSE, with number plate light., 6 PIN Bayonet connector.	1	0,75	18	59x39x29	14,00	360	120x80x165	295,00
FT-370 L NT LED 0 BAJONET 6PIN 12V 5907556017283		Universal rear lamp LED 12V, left with reflective triangle, 6-functional, STOP/ POSITION/ INDICATOR/ FOG / REVERSE without number plate light, p PIN Bayonet connector, with LED control system.	1	0,75	18	59x39x29	14,00	360	120x80x165	295,00
FT-370 P NT LED 0 BAJONET 6PIN 12V 5907556017290		Universal rear lamp LED 12V, right with reflective triangle, 6-functional, STOP/ POSITION/ INDICATOR/ FOG / REVERSE without number plate light, p PIN Bayonet connector, with LED control system.	1	0,75	18	59x39x29	14,00	360	120x80x165	295,00
FT-370 L TB LED 0 BAJONET 6PIN 12V 5907556017320		Universal rear lamp LED 12V, left with reflective triangle, 7-functional, STOP/ POSITION/ INDICATOR/ FOG / REVERSE with number plate light, p PIN Bayonet connector, with LED control system.	1	0,75	18	59x39x29	14,00	360	120x80x165	295,00
FT-370 P TB LED 0 BAJONET 6PIN 12V 5907556017337		Universal rear lamp LED 12V, right with reflective triangle, 7-functional, STOP/ POSITION/ INDICATOR/ FOG / REVERSE with number plate light, p PIN Bayonet connector, with LED control system.	1	0,75	18	59x39x29	14,00	360	120x80x165	295,00





LIGHT CONTROL SYSTEM

FT-371 LED 0
with light control system
- system CANBUS

Power consumption:
- rear running light:
12V = 0.5A
- STOP light:
12V = 0.5A
- indicator:
12V = 1.2A

Power consumption / Rated power:
- rear running light:
12V = 6W
- STOP light:
12V = 6W
- indicator:
12V = 15W

3-functional universal LED lamp
European homologation E9
ElectroMagnetic Compatibility (EMC) homologate on
shock-resistance – PC lampshade
reverse polarity protection system

Lamp functions:
- rear running light
- STOP light
- indicator
- number plate light (depending on the version)
- reflector (triangle) kat. IIIA

Technical specification:
- supply voltage: 12–15V DC
- operating temperature: –40°C to +55°C
- lamp is resistant to any weather conditions
- lamp is fully airtight



ID/EAN	Photo	Description	Unit pack		Multipack / carton			Multipack / pallet		
			qty.	kg	qty.	cm	kg	qty.	cm	kg
FT-371 NT LED 0 5907556018051		Universal LED rear lamp 12V, 3-functional, left/right without number plate light, 1 m cable, with LED system control.	1	0,75	59x39x29		120x80x165			
FT-371 TD LED 0 5907556018068		Universal LED rear lamp 12V, 4-functional, left/right with bottom number plate light, 1 m cable, with LED system control.	1	0,75	59x39x29		120x80x165			
FT-371 NT LED 0 BAJONET 5PIN 5907556018099		Universal LED rear lamp 12V, 3-functional, left/right without number plate light, bayonet 5PIN connector, with LED system control.	1	0,70	59x39x29		120x80x165			
FT-371 TD LED 0 BAJONET 5PIN 5907556018105		Universal LED rear lamp 12V, 4-functional, left/right with bottom number plate light, bayonet 5PIN connector, with LED system control.	1	0,70	59x39x29		120x80x165			



FT-340 LED



FT-341 LED

3-functional universal LED lamp (FT-340 LED)
2-functional universal LED lamp (FT-341 LED)
European homologation E9
horizontal and vertical approval
ElectroMagnetic Compatibility (EMC) homologate on
shock-resistance – PC lampshade
reverse polarity protection system

Technical specification:
- supply voltage: 12–36V DC
- operating temperature: –40°C to +55°C
- lamp is resistant to any weather conditions
- lamp is fully airtight

Lamp functions:
FT-340 LED
- rear running light
- STOP light
- indicator

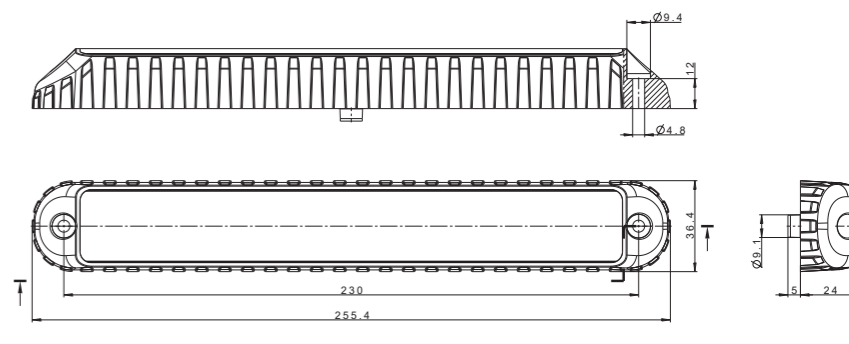
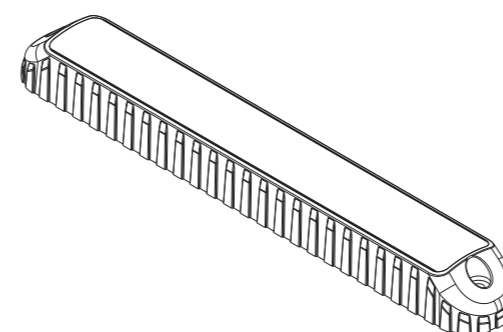
Power consumption:
- rear running light: 12V/24V = 0.02A/0.02A
- STOP light: 12V/24V = 0.1A/0.1A
- indicator: 12V/24V = 0.1A/0.1A

Power consumption / Rated power:
- rear running light: 12V/24V = 0.25W/0.5W
- STOP light: 12V/24V = 1.25W/2.5W
- indicator: 12V/24V = 1.25W/2.5W

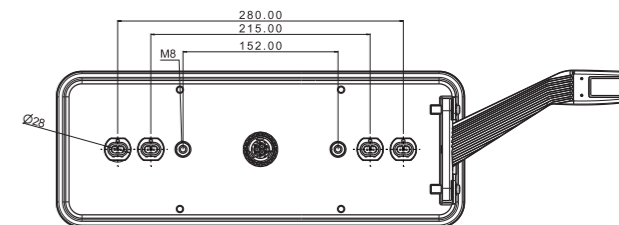
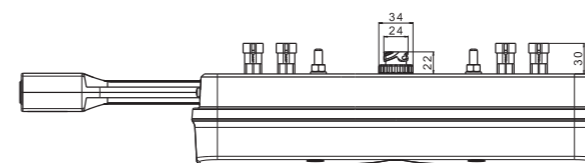
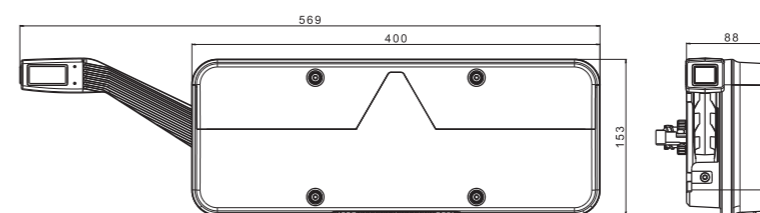
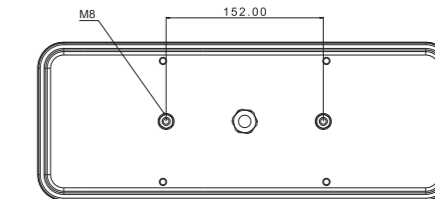
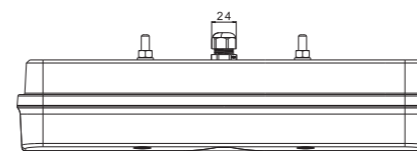
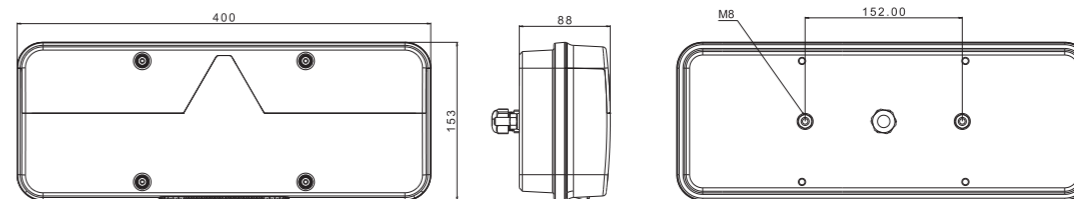
Lamp functions:
FT-341 LED
- reversing light
- fog light

Power consumption:
- reversing light: 12V/24V = 0.16A/0.08A
- fog light: 12V/24V = 0.3A/0.15A

Power consumption / Rated power:
- reversing light: 12V/24V = 2W/2W
- fog light: 12V/24V = 3.6W/3.6W



ID/EAN	Photo	Description	Unit pack		Multipack / carton			Multipack / pallet		
			qty.	kg	qty.	cm	kg	qty.	cm	kg
FT-340 LED 5907556019614		Universal LED rear lamp 12V/24V, 3-functional STOP/POSITIONAL/INDICATOR, 1 m cable.	1	0,15	59x39x29		120x80x165			
FT-341 LED 5907556019621		Universal LED rear lamp 12V/24V, 2-functional REVERSING/FOG, 1 m cable.	1	0,15	59x39x29		120x80x165			



Rear Combination Lamp, 7 function – full LED version

LAMP FUNCTIONS:

- rear position light
- number plate light
- brake light (STOP)
- direction indicator
- reverse light
- rear fog light
- triangle reflex reflector

TECHNICAL SPECIFICATION:

- supply voltage: 12–36V DC
- operating temperature: -40°C to +55°C
- reverse polarity protection
- the lamp is equipped with the interchangeable anti-shock modules resistant to any weather conditions

LED POWER CONSUMPTION:

- rear position light + number plate light
12V/24V = 0,12A / 0,12A
- brake light (STOP): 12V/24V = 0.34A/0.17A
- direction indicator: 12V/24V = 0.4A/0.2A
- reverse light: 12V/24V = 0.1A/0.05A
- rear fog light: 12V/24V = 0.34A/0.17A

POWER CONSUMPTION (RATED POWER):

- rear position light + number plate light
12V/24V = 1.5W / 3.0W
- brake light (STOP): 12V/24V = 4.1W/4.1W
- direction indicator: 12V/24V = 5W/5W
- reverse light: 12V/24V = 1.2W/1.2W
- rear fog light: 12V/24V = 4.1W/4.1W

LED version	1	2	3	4	5	6	7	8
ID/EAN	left	right	end outline marker lamp	number plate light	wire	AMP connector	superseal connector	back-up alarm
FT-500-15 LED 5907556013087	•				•			
FT-500-145 LED 5907556013100	•			•	•			
FT-500-16 LED 5907556013117	•					•		
FT-500-146 LED 5907556013131	•			•		•		
FT-500-135 LED 5907556013148	•		•		•			
FT-500-136 LED 5907556013155	•		•			•		
FT-500-25 LED 5907556013094		•			•			
FT-500-26 LED 5907556013124		•				•		
FT-500-235 LED 5907556013216		•	•		•			
FT-500-236 LED 5907556013162		•	•			•		

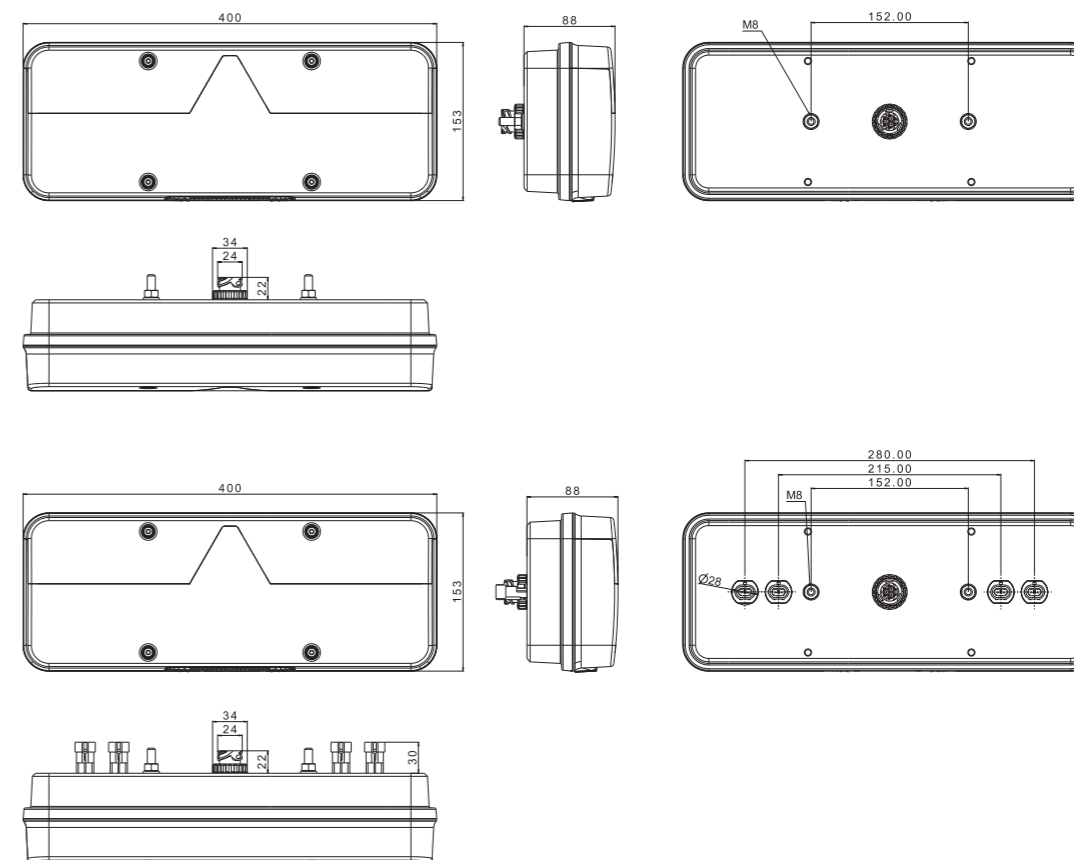


Rear Combination Lamp, 7 function – bulb version

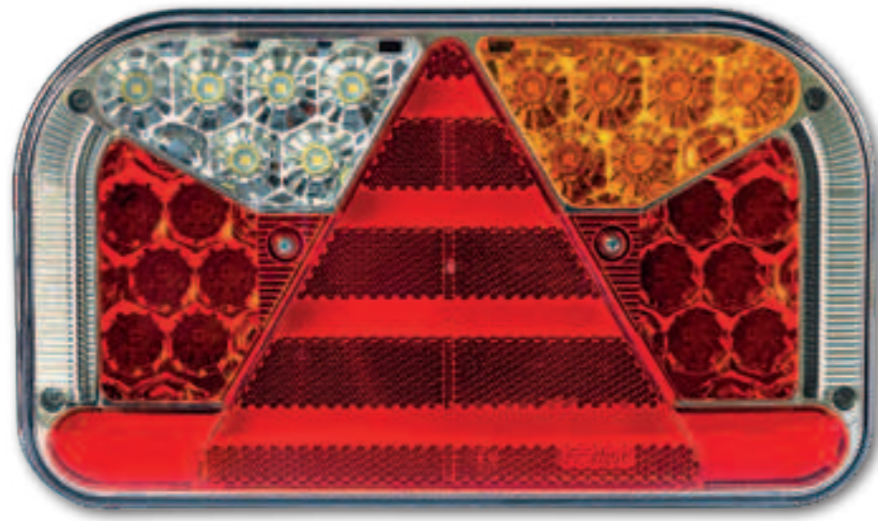
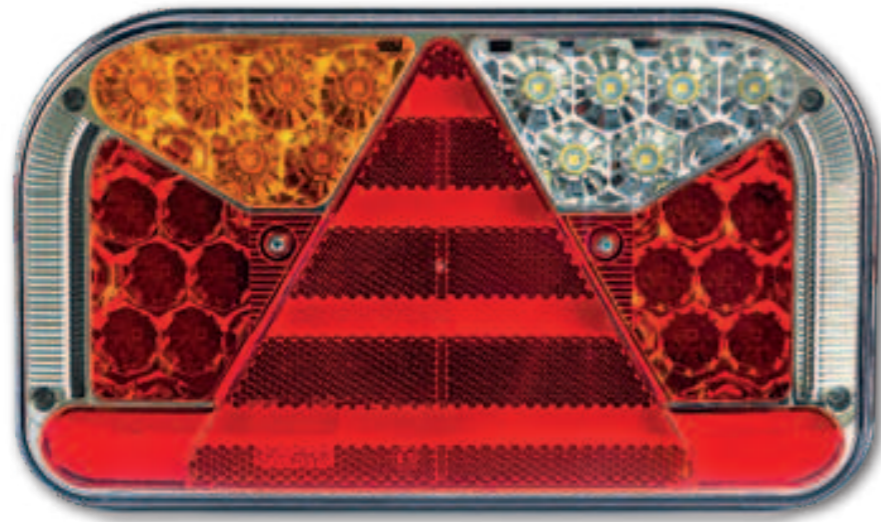
- rear position light (LED)
- number plate light (LED)
- brake light (STOP); (P21W bulb)
- direction indicator (P21W bulb)
- reverse light (P21W bulb)
- rear fog light (P21W bulb)
- triangle reflex reflector

Rear Combination Lamps in bulb version are always equipped with LED position light and LED number plate light.

ID/EAN	Photo	Description
FT-500 K 5907556013520		Lampshade to lamp KINGPOINT Left / Right side
WKLAD FT-500 COF L 5907556013445		Reversing panel left LED
WKLAD FT-500 COF P 5907556013452		Reversing panel right LED
WKLAD FT-500 KIER L 5907556013469		Indicator panel left LED
WKLAD FT-500 KIER P 5907556013476		Indicator panel right LED
WKLAD FT-500 PM P 5907556013490		Fog panel right LED
WKLAD FT-500 PM L 5907556013643		Fog panel left LED
WKLAD FT-500 STOP P 5907556013506		Stop panel right LED
WKLAD FT-500 STOP L 5907556013650		Stop panel left LED



BULB version	1	2	3	4	5	6	7	8
ID/EAN	left	right	end outline marker lamp	number plate light	wire	AMP connector	superseal connector	back-up alarm
FT-500-15 5907556013285	●				●			
FT-500-145 5907556013261	●			●	●			
FT-500-16 5907556013292	●					●		
FT-500-135 5907556013230	●		●		●			
FT-500-136 5907556013247	●		●			●		
FT-500-1346 5907556013223	●		●	●		●		
FT-500-1367 5907556013254	●		●			●	●	
FT-500-25 5907556013346		●			●			
FT-500-26 5907556013353		●				●		
FT-500-235 5907556013308		●	●		●			
FT-500-236 5907556013315		●	●			●		
FT-500-2367 5907556013322		●	●			●	●	
FT-500-23678 5907556013339		●	●			●	●	●



- 7-functional universal LED lamp – low power consumption
- european homologation E9
- ElectroMagnetic Compatibility (EMC) homologation
- shock-resistance – PC lampshade
- reverse polarity protection system

Technical specification:

- rear running light
- number plate light
- STOP light
- indicator
- fog light
- reflector
- reversing light

Technical specification:

- supply voltage: 12–36V DC
- operating temperature: –40°C to +55°C
- lamp is resistant to any weather conditions
- lamp is fully airtight

Power consumption:

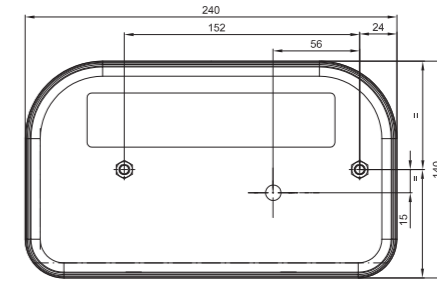
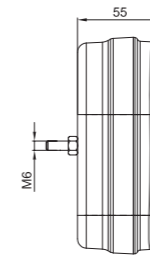
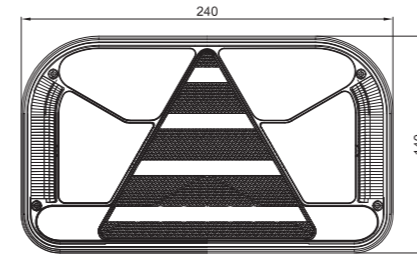
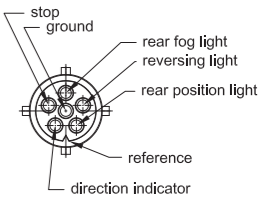
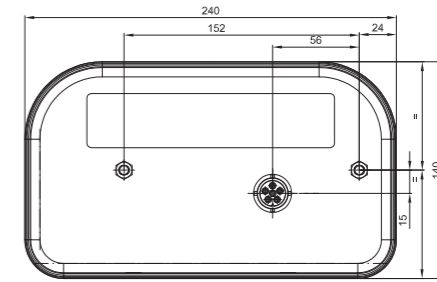
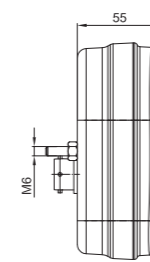
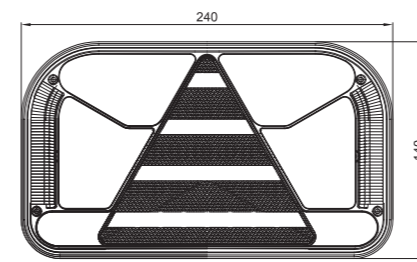
- rear running light + number plate light – 12V/ 24V = 0.25A/ 0.2A
- STOP light – 12V/ 24V = 0.08A/ 0.08A
- indicator – 12V/ 24V = 0.12A/ 0.12A
- reversing light – 12V/ 24V = 0.2A/ 0.1A
- fog light – 12V/ 24V = 0.15A/ 0.08A

Power consumption / Rated power:

- rear running light + number plate light – 12/ 24V = 3W/ 5W
- STOP light – 12V/ 24V = 1W/ 2W
- indicator – 12V/ 24V = 1.5W/ 3W
- reversing light – 12/ 24V = 2.5W/ 2.5W
- fog light – 12V/ 24V = 2W/ 2W

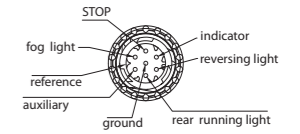
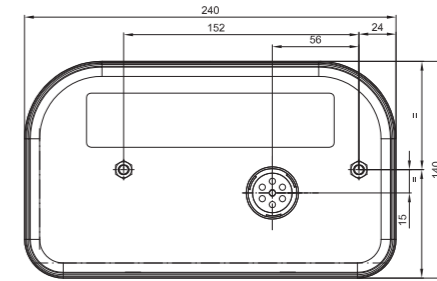
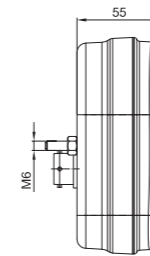
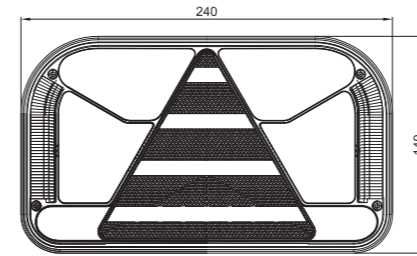


ID/EAN	Photo	Description	Unit pack		Multipack / carton			Multipack / pallet		
			qty.	kg	qty.	cm	kg	qty.	cm	kg
FT-170 L NT LED 5907556009271		Universal LED rear lamp 12-36V, 6-functional, left without number plate light, 1 m cable.	1	0,94	20	59x39x29	18,80	400	120x80x165	401,00
FT-170 L NT LED BAJONET 6PIN 5907556009288		Universal LED rear lamp 12-36V, 6-functional, left without number plate light, 6 PIN Bayonet connector.	1	0,91	20	59x39x29	18,20	400	120x80x165	389,00
FT-170 L NT LED SPKPM 5907556009301		Universal LED rear lamp 12-36V, 5-functional, left without number plate light. (stop/ position/ indicator/ fog light/reflector), 1 m cable.	1	0,94	20	59x39x29	18,80	400	120x80x165	401,00
FT-170 L NT LED SPKPM BAJONET 5PIN 5907556009622		Universal LED rear lamp 12-36V, 5-functional, left without number plate light. (stop/ position/ indicator/ fog light/reflector), 5 PIN Bayonet connector.	1	0,91	20	59x39x29	18,20	400	120x80x165	389,00
FT-170 L TB LED AMP 7PIN 5907556009646		Universal LED rear lamp 12-36V, 7-functional, left with side number plate light, 7 PIN AMP connector.	1	0,88	20	59x39x29	17,60	400	120x80x165	377,00
FT-170 L TB LED BAJONET 6PIN 5907556006294		Universal LED rear lamp 12-36V, 7-functional, left with side number plate light, 7 PIN AMP connector.	1	0,91	20	59x39x29	18,20	400	120x80x165	389,00
FT-170 L TB LED SPKPM 5907556009325		Universal LED rear lamp 12-36V, 6-functional, left with side number plate light, (stop/ position/ indicator/fog light/ reflector), 1 m cable.	1	0,94	20	59x39x29	18,80	400	120x80x165	401,00
FT-170 L TB LED SPKPM BAJONET 5PIN 5907556009608		Universal LED rear lamp 12-36V, 6-functional, left with side number plate light, (stop/ position/ indicator/fog light/ reflector), 5 PIN Bayonet connector.	1	0,91	20	59x39x29	18,20	400	120x80x165	389,00
FT-170 L TD LED 5907556006300		Universal LED rear lamp 12-36V, 7-functional, left with bottom number plate light, 1 m cable.	1	0,94	20	59x39x29	18,80	400	120x80x165	401,00
FT-170 L TD LED AMP 7PIN 5907556009585		Universal LED rear lamp 12-36V, 7-functional, left with bottom number plate light, 7 PIN AMP connector.	1	0,88	20	59x39x29	17,60	400	120x80x165	377,00
FT-170 L TD LED BAJONET 6PIN 5907556006324		Universal LED rear lamp 12-36V, 7-functional, left with bottom number plate light, 6PIN Bayonet connector.	1	0,91	20	59x39x29	18,20	400	120x80x165	389,00
FT-170 P NT LED 5907556009264		Universal LED rear lamp 12-36V, 6-functional, right without number plate light, 1 m cable.	1	0,94	20	59x39x29	18,80	400	120x80x165	401,00
FT-170 P NT LED AMP 7PIN 5907556009592		Universal LED rear lamp 12-36V, 6-functional, right without number plate light, 7 PIN AMP connector.	1	0,88	20	59x39x29	17,60	400	120x80x165	377,00
FT-170 P NT LED BAJONET 6PIN 5907556009295		Universal LED rear lamp 12-36V, 6-functional, right without number plate light, 6 PIN bayonet connector.	1	0,91	20	59x39x29	18,20	400	120x80x165	389,00



stop light / red
 rear fog light / blue
 ground / white / white
 reversing light / grey
 rear position light / black (brown)

direction indicator / yellow (green)



ID/EAN	Photo	Description	Unit pack		Multipack / carton			Multipack / pallet		
			qty.	kg	qty.	cm	kg	qty.	cm	kg
FT-170 P NT LED SPKCOF 5907556009356		Universal LED rear lamp - 12-36V, 5-functional, right without number plate light. (stop/ position/ indicator/ reversing light/ reflector), 1 m cable.	1	0,94	20	59x39x29	18,80	400	120x80x165	401,00
FT-170 P NT LED SPKCOF BAJONET 5PIN 5907556009639		Universal LED rear lamp - 12-36V, 5-functional, right without number plate light. (stop/ position/ indicator/ reversing light/ reflector), 5PIN Bayonet connector.	1	0,91	20	59x39x29	18,20	400	120x80x165	389,00
FT-170 P TB LED 5907556006744		Universal LED rear lamp 12-36V, 7-functional, right with side number plate light, 1 m cable.	1	0,94	20	59x39x29	18,80	400	120x80x165	401,00
FT-170 P TB LED AMP 7PIN 5907556009653		Universal LED rear lamp 12-36V, 7-functional, right with side number plate light, 7 PIN AMP connector.	1	0,88	20	59x39x29	17,60	400	120x80x165	377,00
FT-170 P TB LED BAJONET 6PIN 5907556007581		Universal LED rear lamp 12-36V, 7-functional, right with side number plate light, 6PIN Bayonet connector.	1	0,91	20	59x39x29	18,20	400	120x80x165	389,00
FT-170 P TB LED SPKCOF 5907556009370		Universal LED rear lamp 12-36V, 6-functional, right with side number plate light, (stop/ position/ indicator/ reversing light/ reflector), 1 m cable.	1	0,94	20	59x39x29	18,80	400	120x80x165	401,00
FT-170 P TB LED SPKCOF BAJONET 5PIN 5907556009615		Universal LED rear lamp 12-36V, 6-functional, right with side number plate light, (stop/ position/ indicator/ reversing light/ reflector), 5PIN Bayonet connector.	1	0,91	20	59x39x29	18,20	400	120x80x165	389,00
FT-170 P TD LED 5907556009219		Universal LED rear lamp, 7-functional, right with bottom number plate light, 1 m cable.	1	0,94	20	59x39x29	18,80	400	120x80x165	401,00
FT-170 P TD LED BAJONET 6 PIN 5907556009226		Universal LED rear lamp, 7-functional, right with bottom number plate light, 6PIN Bayonet connector	1	0,91	20	59x39x29	18,20	400	120x80x165	389,00



FT-130 PM LED



FT-130 COF LED



6-functional universal LED rear lamp - low power consumption
 European homology E9
 ElectroMagnetic Compatibility (EMC) homology
 Shock-resistance - PC lampshade
 Reverse polarity protection system
Vertical / horizontal approval

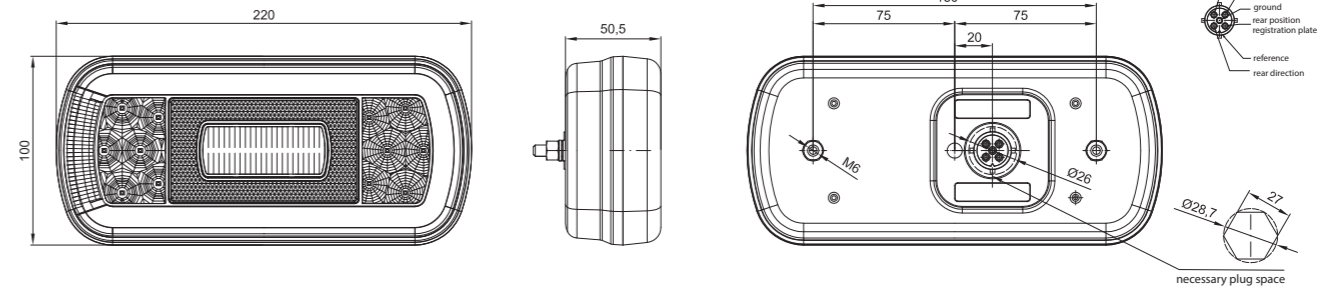
Lamp functions:
 - rear running light
 - number plate light homologated on an universal performance 34.4 mm <<X>> 102.2 mm
 - STOP light
 - indicator
 - fog light (FT-130 PM LED) or reversing (FT-130 COF LED) light (depending on the product version)
 - reflector

Technical specification:
 - supply voltage: 12-36V DC
 - operating temperature: -40°C to +55°C
 - lamp is resistant to any weather conditions
 - lamp is fully airtight

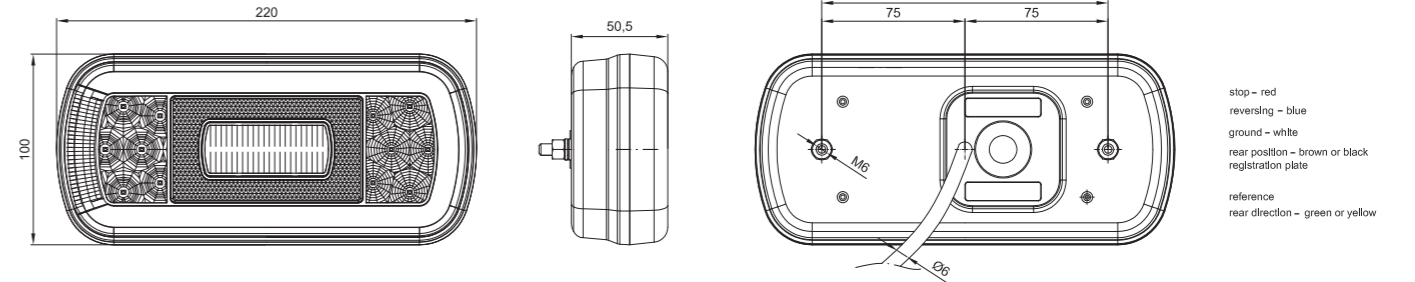
Power consumption:
 - rear running light + number plate light - 12V/ 24V = 0.25/ 0.21A
 - STOP light - 12V/ 24V = 0.08A/ 0.08A
 - indicator - 12V/ 24V = 0.11A/ 0.11A
 - fog light - 12V/ 24V = 0.12A/ 0.6A
 - reversing light - 12V/ 24V = 0.28A/ 0.14A

Power consumption / Rated power:
 - rear running light + number plate light - 12/ 24V = 3W/ 5W
 - STOP light - 12V/ 24V = 1W/ 2W
 - indicator - 12V/ 24V = 1.5W/ 3W
 - fog light - 12V/ 24V = 1.5W/ 1.5W
 - reversing light - 12/ 24V = 3.5W/ 3.5W

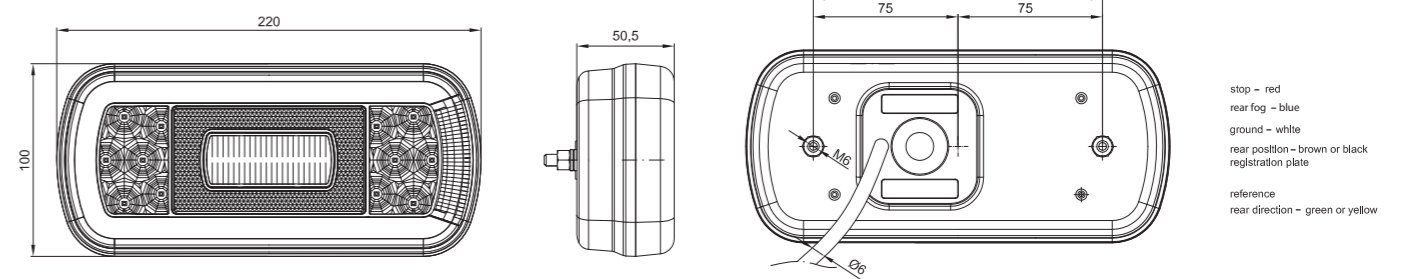
FT-130 COF BAJONET



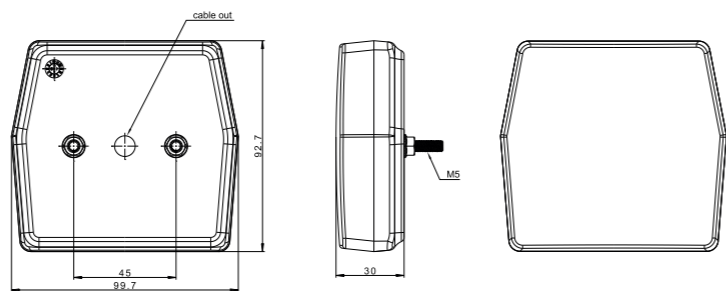
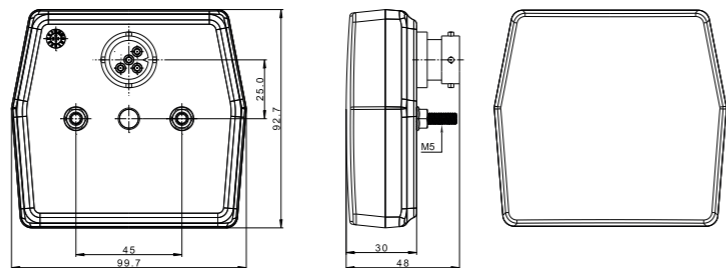
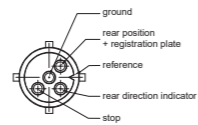
FT-130 COF



FT-130 PM



ID/EAN	Photo	Description	Unit pack		Multipack / carton			Multipack / pallet		
			qty.	kg	qty.	cm	kg	qty.	cm	kg
FT-130 PM LED 5907556008168		6-functional LED rear lamp with the position, fog, STOP, an indicator and a number plate lights with reflector, 1 m cable.	1	0.26	34	59x39x29	8.84	680	120x80x165	201.80
FT-130 COF LED 5907556008182		6-functional LED rear lamp with the position, reversing, STOP, an indicator and a number plate lights with reflector, 1 m cable.	1	0.26	34	59x39x29	8.84	680	120x80x165	201.80
FT-130 PM LED BAJONET 5907556008175		6-functional LED rear lamp with the position, fog, STOP, an indicator and a number plate lights with reflector, SPIN Bayonet connector.	1	0.23	34	59x39x29	7.82	680	120x80x165	181.40
FT-130 COF LED BAJONET 5907556008199		6-functional LED rear lamp with the position, reversing, STOP, an indicator and a number plate lights and reflector, SPIN Bayonet connector.	1	0.23	34	59x39x29	7.82	680	120x80x165	181.40
FT-130 NT PM LED 5907556008274		5-functional LED rear lamp with the position, fog, STOP, an indicator lights, without a number plate light with reflector, 1 m cable.	1	0.26	34	59x39x29	8.84	680	120x80x165	201.80
FT-130 NT COF LED 5907556008250		5-functional LED rear lamp with the position, reversing, STOP, an indicator lights without a number plate light with reflector, 1 m cable.	1	0.26	34	59x39x29	8.84	680	120x80x165	201.80
FT-130 NT PM LED BAJONET 5907556008281		5-functional LED rear lamp with the position, fog, STOP, an indicator lights without a number plate lights with reflector, SPIN Bayonet connector.	1	0.23	34	59x39x29	7.82	680	120x80x165	181.40
FT-130 NT COF LED BAJONET 5907556008267		5-functional LED rear lamp with the position, reversing, STOP, an indicator lights without a number plate lights with reflector, SPIN Bayonet connector.	1	0.23	34	59x39x29	7.82	680	120x80x165	181.40



Universal LED rear lamp – low power consumption
 - european E9 homologation
 - ElectroMagnetic Compatibility – EMC certificate
 - shock-resistance – PC lampshade
 - reverse polarity protection system

Lamp functions:
 - rear position light
 - number plate light
 - STOP light
 - indicator

Technical specification:
 - supply voltage: 12–15V DC
 - operating temperature: –40°C to +55°C
 - lamp is resistant to any weather conditions
 - lamp is fully airtight

Power consumption:
 - rear position light + license plate light: 12V = 0.1A
 - version without number plate light: 12V = 0.05A
 - STOP light 12V = 0.2A
 - indicator 12V = 0.2A

Power consumption / Rated power:
 - rear position light + license plate light: 12V = 1.2W
 - version without number plate light: 12V = 0.6W
 - STOP light 12V = 2.4W
 - indicator 12V = 2.4W

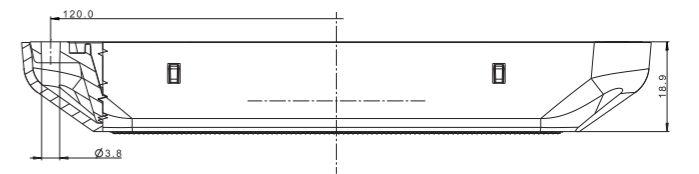
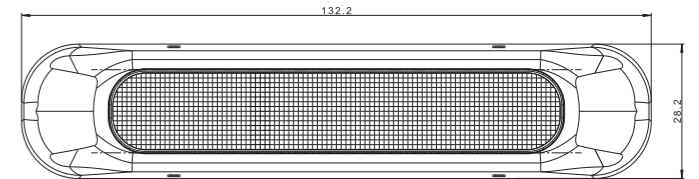
3-functional universal LED lamp
 European homologation E9
 ElectroMagnetic Compatibility (EMC) homologate on
 shock-resistance – PC lampshade
 reverse polarity protection system

Technical specification:
 - supply voltage: 12–36V DC
 - operating temperature: –40°C to +55°C
 - lamp is resistant to any weather conditions
 - lamp is fully airtight

Lamp functions:
 - rear running light
 - STOP light
 - indicator

Power consumption:
 - rear running light: 12V/24V = 0.02A/0.02A
 - STOP light: 12V/24V = 0.08A/0.08A
 - indicator: 12V/24V = 0.6A/0.6A

Power consumption / Rated power:
 - rear running light: 12V/24V = 0.25W/0.5W
 - STOP light: 12V/24V = 1W/2W
 - indicator: 12V/24V = 0.8W/1.5W



ID/EAN	Photo	Description	Unit pack		Multipack / carton			Multipack / pallet		
			qty.	kg	qty.	cm	kg	qty.	cm	kg
FT-222 LED 5907556015203		Universal LED rear lamp 12V, 3-functional STOP/POSITIONAL/INDICATOR, 1 m cable.	1	0.228	108	59x39x29	24.624	2160	120x80x165	517.48
FT-222 LED BAJONET 5907556015210		Universal LED rear lamp 12V, 3-functional STOP/POSITIONAL/INDICATOR, SPIN Bayonet connector.	1	0.204	108	59x39x29	22.032	2160	120x80x165	465.64
FT-222 T LED 5907556015395		Universal LED rear lamp 12V, 4-functional STOP/POSITIONAL/INDICATOR with number plate, 1 m cable.	1	0.230	108	59x39x29	24.84	2160	120x80x165	521.80
FT-222 T LED BAJONET 5907556015401		Universal LED rear lamp 12V, 4-functional STOP/POSITIONAL/INDICATOR with number plate, SPIN Bayonet connector.	1	0.206	108	59x39x29	22.248	2160	120x80x165	469.96



ID/EAN	Photo	Description	Unit pack		Multipack / carton			Multipack / pallet		
			qty.	kg	qty.	cm	kg	qty.	cm	kg
FT-330 LED 5907556028982		Universal LED rear lamp 12V/24V, 3-functional STOP/POSITIONAL/INDICATOR, 1 m cable.	1			59x39x29			120x80x165	



FT-120 LED



FT-121 LED



FT-122 LED



- 3-functional universal LED rear lamp – low power consumption
- european E9 homologation
- the lamp is homologated to be mounted horizontally and vertically as well
- ElectroMagnetic Compatibility – EMC certificate
- shock-resistance – PC lampshade
- reverse polarity protection system

Lamp functions:

- rear position light
- STOP light
- indicator

Technical specification:

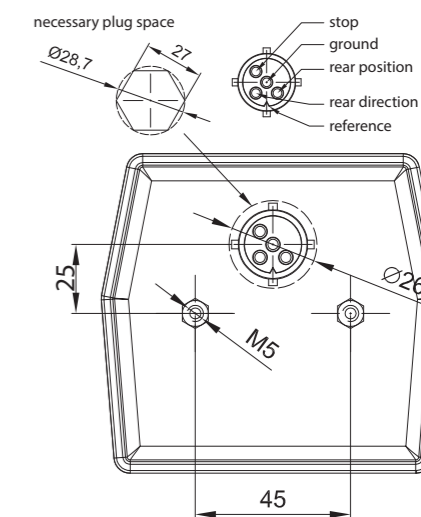
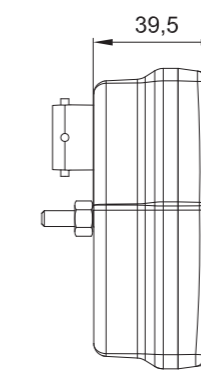
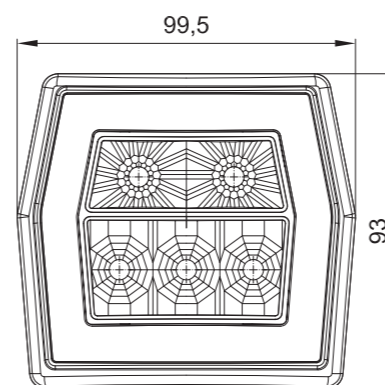
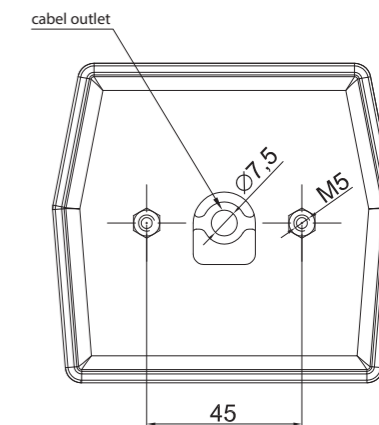
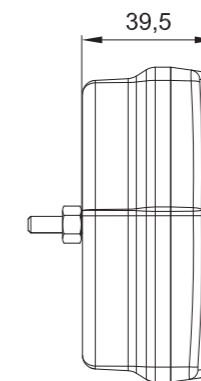
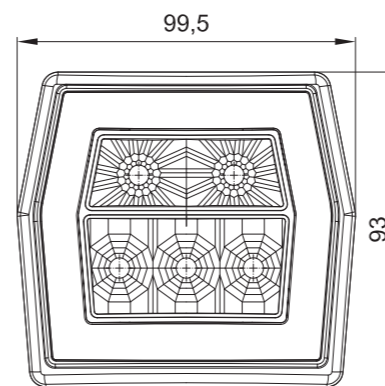
- supply voltage: 12–36V DC
- operating temperature: –40°C to +55°C
- lamp is resistant to any weather conditions
- lamp is fully airtight

Power consumption:

- rear position light 12V/24V = 0.06A/0.06A
- STOP light 12V/24V = 0.08A/0.08A
- indicator 12V/24V = 0.08A/0.08A

Power consumption / Rated power:

- rear position light 12V/24V = 0.75W/1.5W
- STOP light 12V/24V = 1W/2W
- indicator 12V/24V = 1W/2W



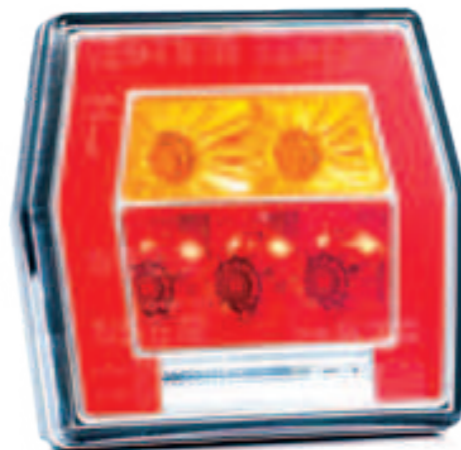
ID/EAN	Photo	Description	Unit pack		Multipack / carton			Multipack / pallet		
			qty.	kg	qty.	cm	kg	qty.	cm	kg
FT-120 LED 5907556007604		Universal LED rear lamp 12-36V, 3-functional, colorless lampshade, 1 m cable.	1	0.26	108	59x39x29	28.08	2160	120x80x165	586.60
FT-120 LED BAJONET 5907556007611		Universal LED rear lamp 12-36V, 3-functional, colorless lampshade, SPIN BAYONET connector.	1	0.21	108	59x39x29	22.68	2160	120x80x165	478.60
FT-121 LED 5907556007628		Universal LED rear lamp 12-36V, 3-functional, colorless lampshade with a yellow filter of an indicator, 1 m cable.	1	0.26	108	59x39x29	28.08	2160	120x80x165	586.60
FT-121 LED BAJONET 5907556007635		Universal LED rear lamp 12-36V, 3-functional, colorless lampshade with a yellow filter of an indicator, SPIN BAYONET connector.	1	0.21	108	59x39x29	22.68	2160	120x80x165	478.60
FT-122 LED 5907556007642		Universal LED rear lamp 12-36V, 3-functional, colorless lampshade with a red filter of a STOP light and a yellow filter of an indicator, 1 m cable.	1	0.26	108	59x39x29	28.08	2160	120x80x165	586.60
FT-122 LED BAJONET 5907556007659		Universal LED rear lamp 12-36V, 3-functional, colorless lampshade with a red filter of a STOP light and yellow of an indicator, SPIN BAYONET connector.	1	0.21	108	59x39x29	22.68	2160	120x80x165	478.60



FT-120 T LED



FT-121 T LED



FT-122 T LED



- 4-functional universal LED rear lamp – low power consumption
- european E9 homologation
 - the lamp is homologated to be mounted horizontally and vertically as well
 - ElectroMagnetic Compatibility – EMC certificate
 - shock-resistance – PC lampshade
 - reverse polarity protection system

Lamp functions:

- rear position light
- STOP light
- indicator
- number plate light

Technical specification:

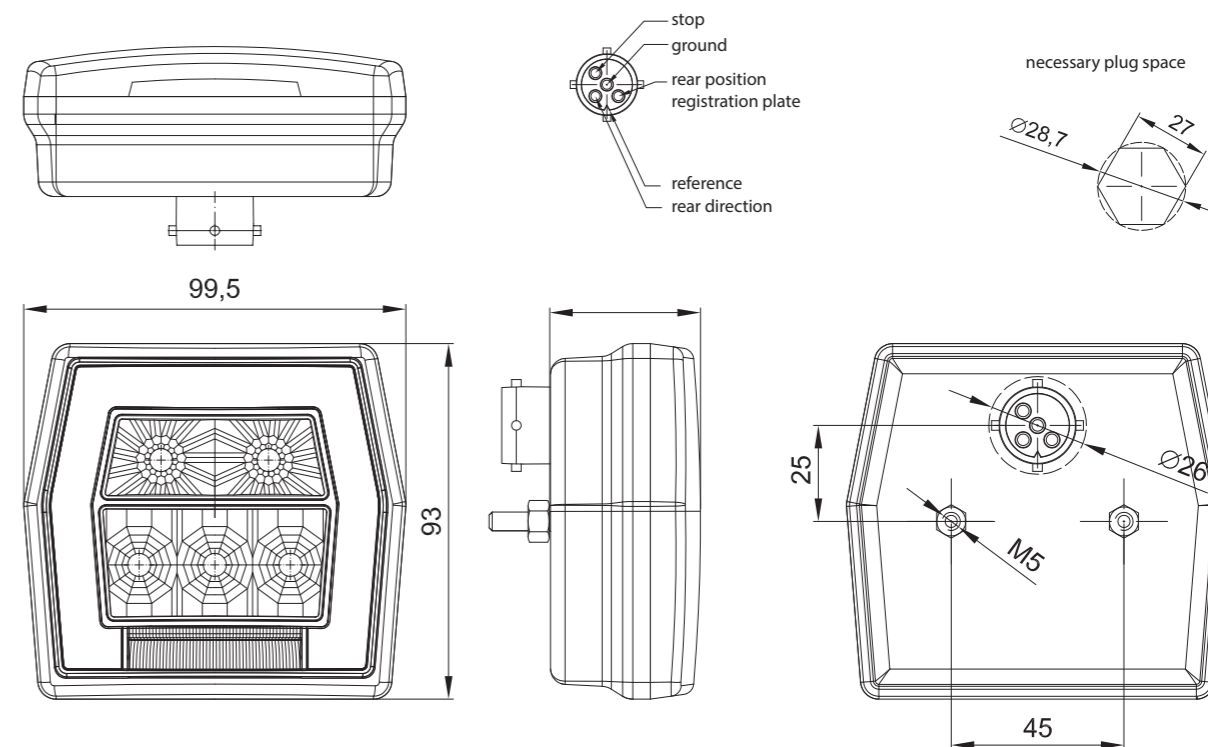
- supply voltage: 12–36V DC
- operating temperature: –40°C to +55°C
- lamp is resistant to any weather conditions
- lamp is fully airtight

Power consumption:

- rear position light + license plate light 12V/24V = 0.14A/0.14A
- STOP light 12V/24V = 0.08A/0.08A
- indicator 12V/24V = 0.08A/0.08A

Power consumption / Rated power:

- rear position light + license plate light 12V/24V = 1.65W/3.3W
- STOP light 12V/24V = 1W/2W
- indicator 12V/24V = 1W/2W



ID/EAN	Photo	Description	Unit pack		Multipack / carton			Multipack / pallet		
			qty.	kg	qty.	cm	kg	qty.	cm	kg
FT-120 T LED 5907556008106		Universal LED rear lamp 12-36V, 4-functional with a number plate light, colorless lampshade, 1 m cable.	1	0.26	108	59x39x29	28.08	2160	120x80x165	586.60
FT-120 T LED BAJONET 5907556008113		Universal LED rear lamp 12-36V, 4-functional with a number plate light, colorless lampshade, 5PIN BAYONET connector.	1	0.21	108	59x39x29	22.68	2160	120x80x165	478.60
FT-121 T LED 5907556008120		Universal LED rear lamp 12-36V, 4-functional with a number plate light, colorless lampshade with a yellow filter of an indicator, 1 m cable.	1	0.26	108	59x39x29	28.08	2160	120x80x165	586.60
FT-121 T LED BAJONET 5907556008137		Universal LED rear lamp 12-36V, 4-functional with a number plate light, colorless lampshade with a yellow filter of an indicator, 5PIN BAYONET connector.	1	0.21	108	59x39x29	22.68	2160	120x80x165	478.60
FT-122 T LED 5907556008144		Universal LED rear lamp 12-36V, 4-functional with a number plate light, colorless lampshade with a red filter of a STOP light and a yellow filter of an indicator, 1 m cable.	1	0.26	108	59x39x29	28.08	2160	120x80x165	586.60
FT-122 T LED BAJONET 5907556008151		Universal LED rear lamp 12-36V, 4-functional with a number plate light, colorless lampshade with a red filter of a STOP light and yellow filter of an indicator, 5PIN BAYONET connector.	1	0.21	108	59x39x29	22.68	2160	120x80x165	478.60



3-functional universal LED rear lamp – low power consumption
 - european E9 homologation
 - ElectroMagnetic Compatibility – EMC certificate
 - shock-resistance – PC lampshade
 - reverse polarity protection system

Lamp functions:

- rear position light
- STOP light
- indicator

Technical specification:

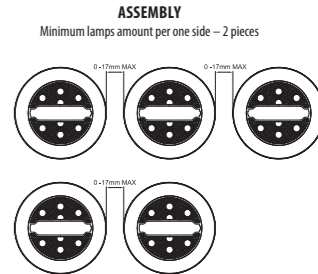
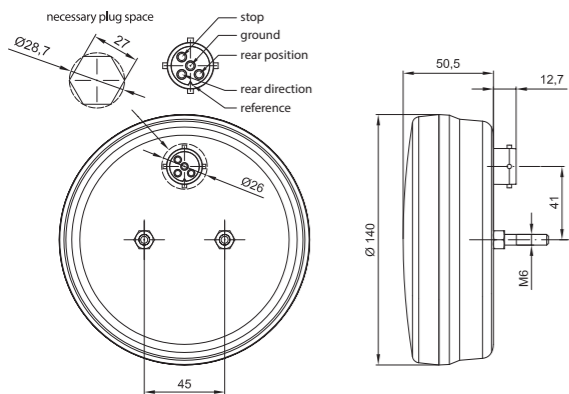
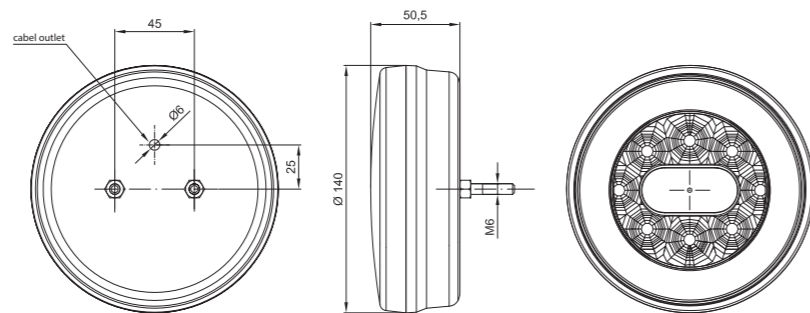
- supply voltage: 12–36V DC
- operating temperature: –40°C to +55°C
- lamp is resistant to any weather conditions
- lamp is fully airtight

Power consumption:

- rear position light 12V/24V = 0.1A/0.1A
- STOP light 12V/24V = 0.08A/0.08A
- indicator 12V/24V = 0.08A/0.08A

Power consumption / Rated power:

- rear position light 12V/24V = 1.2W/2.4W
- STOP light 12V/24V = 1W/2W
- indicator 12V/24V = 1W/2W



3-functional universal LED rear lamp – low power consumption
 - european E9 homologation
 - ElectroMagnetic Compatibility – EMC certificate
 - shock-resistance – PC lampshade
 - reverse polarity protection system

Lamp functions:

- rear position light
- STOP light
- indicator

Technical specification:

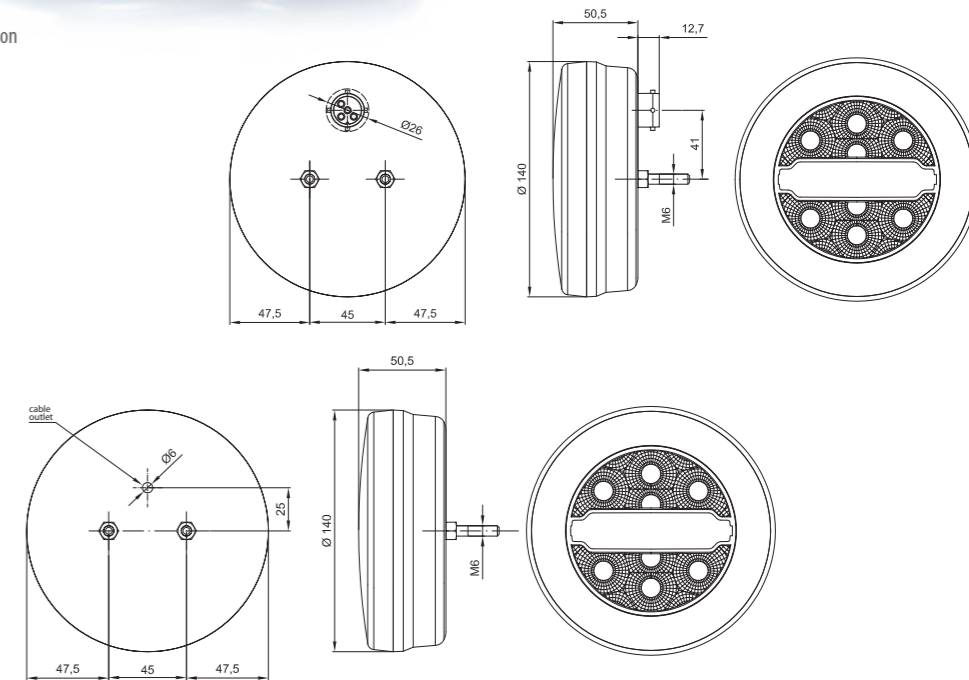
- supply voltage: 12–36V DC
- operating temperature: –40°C to +55°C
- lamp is resistant to any weather conditions
- lamp is fully airtight

Power consumption:

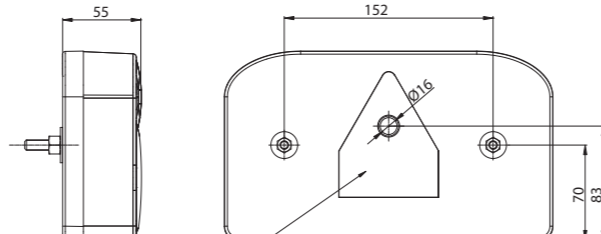
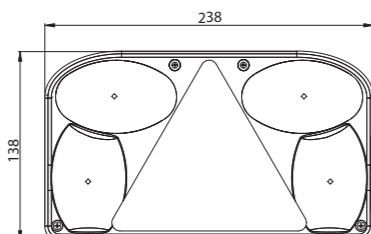
- rear position light 12V/24V = 0.05A/0.05A
- STOP light 12V/24V = 0.08A/0.08A
- indicator 12V/24V = 0.08A/0.08A

Power consumption / Rated power:

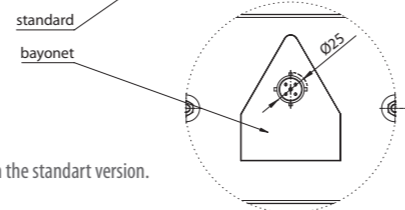
- rear position light 12V/24V = 0.6W/1.2W
- STOP light 12V/24V = 1W/2W
- indicator 12V/24V = 1W/2W



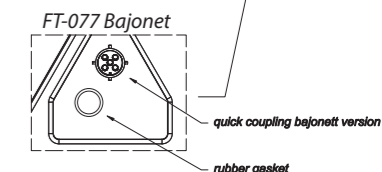
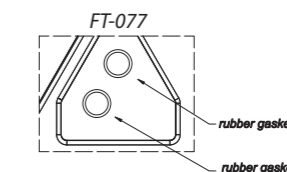
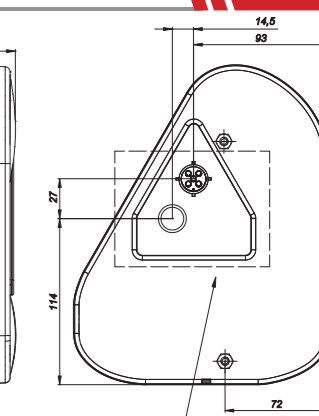
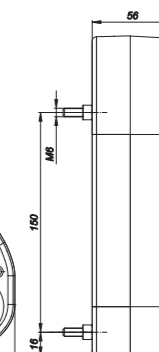
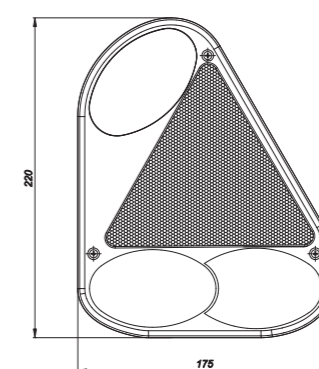
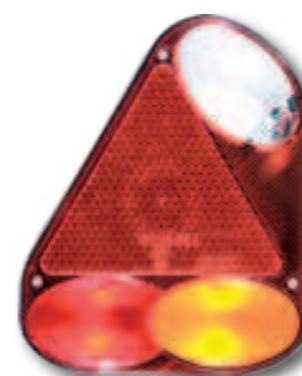
ID/EAN	Photo	Description	Unit pack		Multipack / carton		Multipack / pallet			
			qty.	kg	qty.	cm	kg	qty.	cm	kg
FT-113 LED 5907556011205		Universal LED 3-functional rear lamp 12/ 24V, round for separate mounting (one lamp per one side), rear position, stop, indicator lights.	1	0.50	40	59x39x29	20.00	800	120x80x165	425.00
FT-113 LED BAJONET 5907556011212		Universal LED 3-functional rear lamp 12/ 24V, round for separate mounting (one lamp per one side) with 5PIN bayonet connector, rear position, stop, indicator lights.	1	0.422	40	59x39x29	16.80	800	120x80x165	337.60
FT-113 Y LED 5907556010536		Universal LED 3-functional rear lamp 12/ 24V, round for serial mounting (2 or 3 lamps in row), rear position, stop, indicator lights.	1	0.50	40	59x39x29	20.00	800	120x80x165	425.00
FT-113 Y LED BAJONET 5907556010581		Universal LED 3-functional rear lamp 12/ 24V, round for serial mounting (2 or 3 lamps in row), with 5PIN bayonet connector, rear position, stop, indicator lights.	1	0.422	40	59x39x29	16.80	800	120x80x165	337.60



Attention!
Bayonet socket is not included in the standart version.



ID/EAN	Photo	Description	Unit pack		Multipack / carton			Multipack / pallet		
			qty.	kg	qty.	cm	kg	qty.	cm	kg
FT-088 LPM 5907556002456		Left lamp with a fog light and a number plate light.	1	0.50	25	59x39x29	12.50	500	120x80x165	275.00
FT-088 PCOF 5907556002487		Right rear lamp with a reversing light and a number plate light.	1	0.50	25	59x39x29	12.50	500	120x80x165	275.00
FT-088 LCOF 5907556002425		Left rear lamp with a reversing light and a number plate light.	1	0.50	25	59x39x29	12.50	500	120x80x165	275.00
FT-088 PPM 5907556002517		Right rear lamp with a fog light and a number plate light.	1	0.50	25	59x39x29	12.50	500	120x80x165	275.00
FT-088 LPM BAJONET 5907556002463		Left rear lamp with a fog light and a bayonet connector (5 PIN). All cables and bulbs included.	1	0.55	25	59x39x29	13.75	500	120x80x165	300.00
FT-088 PCOF BAJONET 5907556002494		Right rear lamp with a reversing light and a bayonet connector (5 PIN). All cables and bulbs included.	1	0.55	25	59x39x29	13.75	500	120x80x165	300.00
FT-088 LCOF BAJONET 5907556002432		Left rear lamp with a reversing light and a bayonet connector. All cables and bulbs included.	1	0.55	25	59x39x29	13.75	500	120x80x165	300.00
FT-088 PPM BAJONET 5907556002524		Right rear lamp with a fog light and a bayonet connector. All cables and bulbs included.	1	0.55	25	59x39x29	13.75	500	120x80x165	300.00
FT-088 KLPM 5907556002395		Left lampshade with a fog light.	1	0.24	40	59x39x29	9.60	720	120x80x165	197.80
FT-088 KPCOF 5907556002401		Right lampshade with a reversing light.	1	0.24	40	59x39x29	9.60	720	120x80x165	197.80
FT-088 KPPM 5907556002418		Right lampshade with a fog light.	1	0.24	40	59x39x29	9.60	720	120x80x165	197.80
FT-088 KLCOF 5907556002388		Left lampshade with a reversing light.	1	0.24	40	59x39x29	9.60	720	120x80x165	197.80

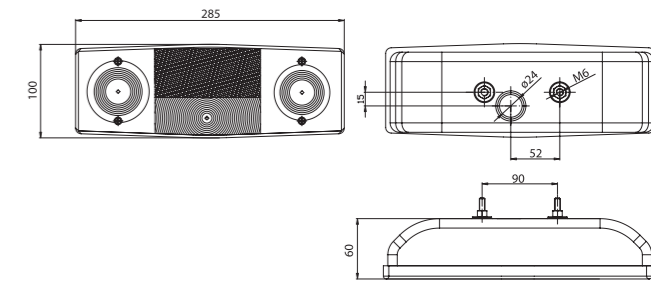


ID/EAN	Photo	Description	Unit pack		Multipack / carton			Multipack / pallet		
			qty.	kg	qty.	cm	kg	qty.	cm	kg
FT-077 LPM 5907556003767		Left lamp with a fog light.	1	0.50	25	59x39x29	12.50	500	120x80x165	275.00
FT-077 PCOF 5907556003798		Right lamp with a reversing light.	1	0.50	25	59x39x29	12.50	500	120x80x165	275.00
FT-077 LCOF 5907556003774		Left lamp with a reversing light.	1	0.50	25	59x39x29	12.50	500	120x80x165	275.00
FT-077 PPM 5907556003781		Right lamp with a fog light.	1	0.50	25	59x39x29	12.50	500	120x80x165	275.00
FT-077 LPM BAJONET 5907556003804		Left lamp with a fog light and a bayonet plug. All cables and bulbs included.	1	0.55	25	59x39x29	13.75	500	120x80x165	300.00
FT-077 PCOF BAJONET 5907556003835		Right lamp with a reversing light and a bayonet plug. All cables and bulbs included.	1	0.55	25	59x39x29	13.75	500	120x80x165	300.00
FT-077 LCOF BAJONET 5907556003811		Left lamp with a reversing light and a bayonet plug. All cables and bulbs included.	1	0.55	25	59x39x29	13.75	500	120x80x165	300.00
FT-077 PPM BAJONET 5907556003828		Right lamp with a fog light and a bayonet plug. All cables and bulbs included.	1	0.55	25	59x39x29	13.75	500	120x80x165	300.00
FT-077 KLPM 5907556003842		Left lampshade with a fog light.	1	0.24	50	59x39x29	12.00	720	120x80x165	197.80
FT-077 KPCOF 5907556003873		Right lampshade with a reversing light.	1	0.24	50	59x39x29	12.00	720	120x80x165	197.80
FT-077 KLCOF 5907556003859		Left lampshade with a reversing light.	1	0.24	50	59x39x29	12.00	720	120x80x165	197.80
FT-077 KPPM 5907556003866		Right lampshade with a fog light.	1	0.24	50	59x39x29	12.00	720	120x80x165	197.80



Rear lamp for trailers and vans

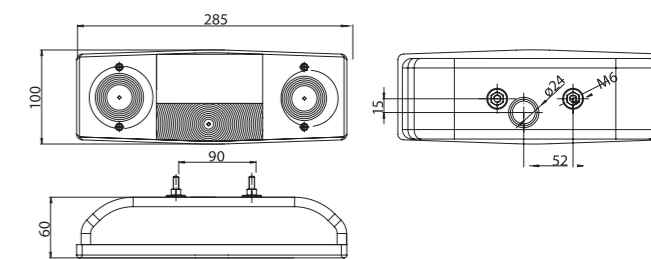
551



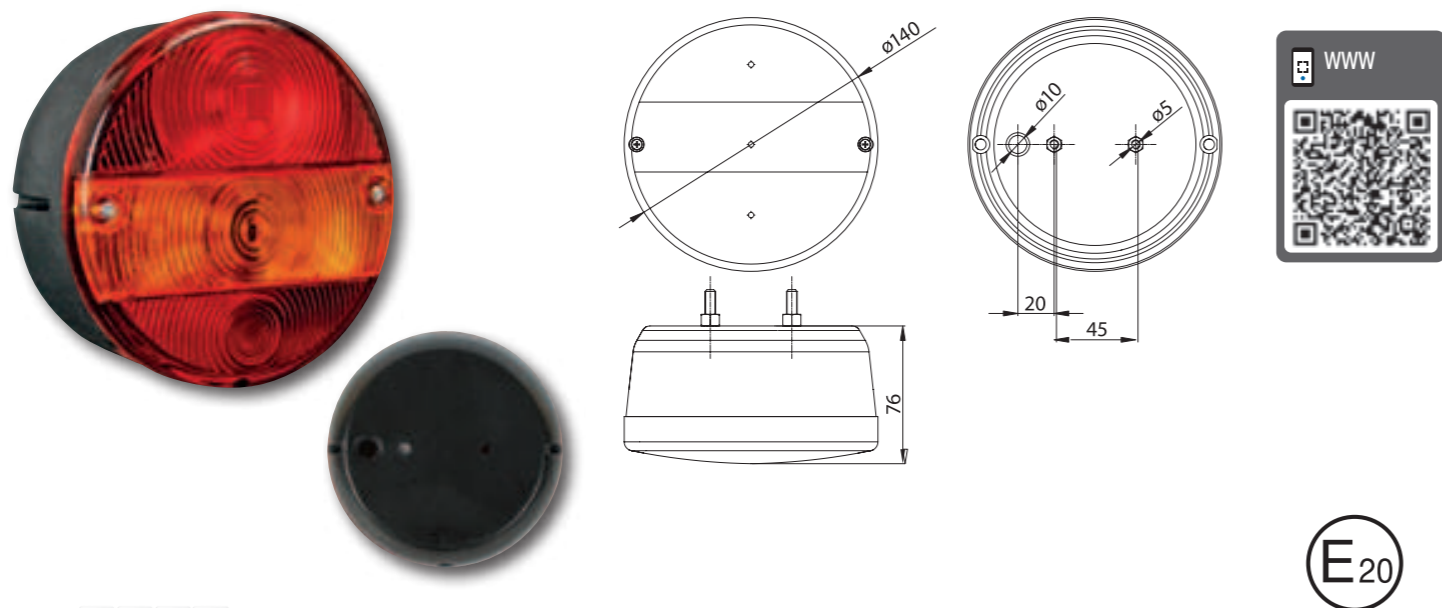
ID/EAN	Photo	Description	Unit pack		Multipack / carton			Multipack / pallet		
			qty.	kg	qty.	cm	kg	qty.	cm	kg
551 L		Left rear lamp with a number plate light.	1	0,43	32	59x39x29	13,76	640	120x80x165	280,20
551 P		Right lamp.	1	0,43	32	59x39x29	13,76	640	120x80x165	280,20
551 KL		Klosz lampy lewej.	1	0,16	50	26x30x31	8,00	1000	120x80x165	185,00
551 KP		Left lampshade.	1	0,16	50	26x30x31	8,00	1000	120x80x165	185,00

Rear lamp for trailers and vans

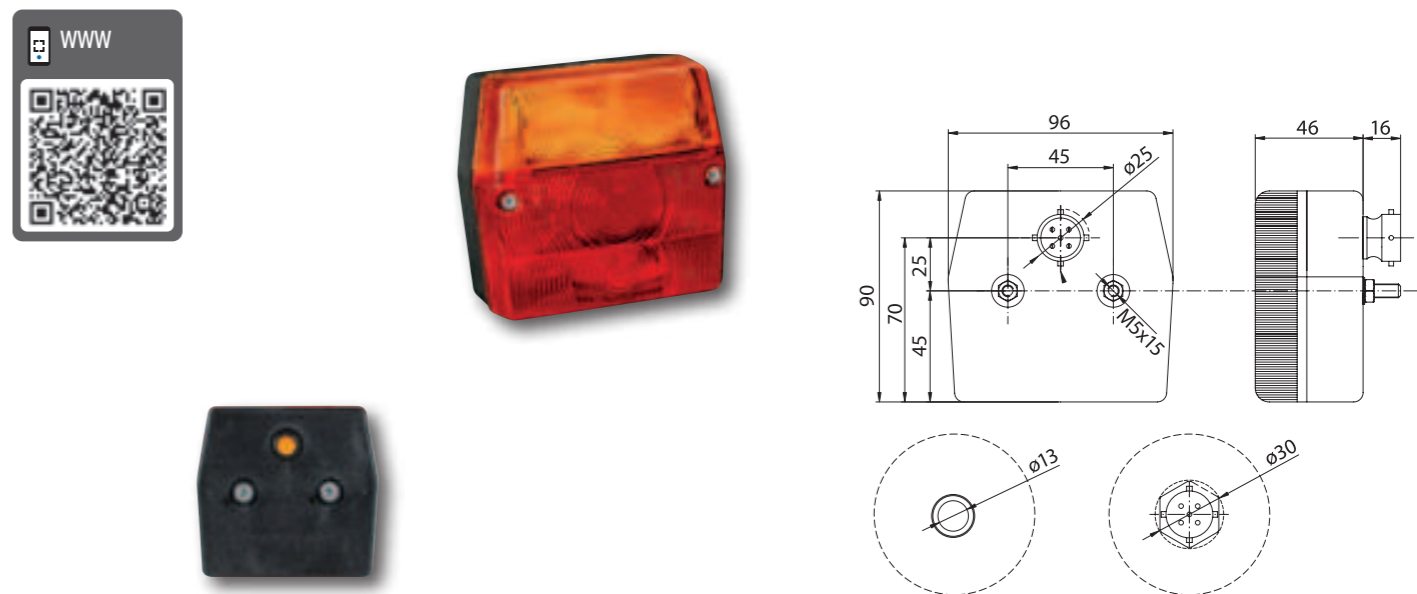
549



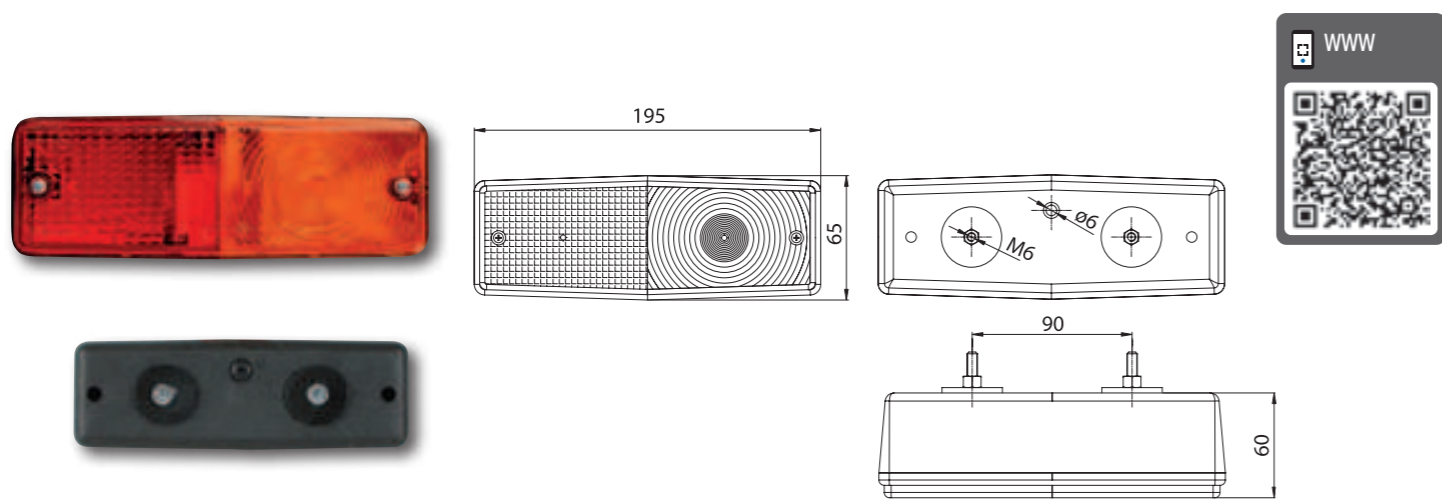
ID/EAN	Photo	Description	Unit pack		Multipack / carton			Multipack / pallet		
			qty.	kg	qty.	cm	kg	qty.	cm	kg
549 L		Left rear lamp with a number plate light.	1	0,41	32	59x39x29	13,12	640	120x80x165	287,40
549 P		Right rear lamp.	1	0,41	32	59x39x29	13,12	640	120x80x165	287,40
549 KL		Left lampshade.	1	0,13	50	26x30x31	6,50	1000	120x80x165	155,00
549 KP		Right lampshade.	1	0,13	50	26x30x31	6,50	1000	120x80x165	155,00



ID	Photo	Description	Unit pack		Multipack / carton			Multipack / pallet		
			qty.	kg	qty.	cm	kg	qty.	cm	kg
MD-016 L		Left rear lamp with a number plate light.	1	0.28	38	59x39x29	10.64	760	120x80x165	237.80
MD-016 P		Right rear lamp.	1	0.28	38	59x39x29	10.64	760	120x80x165	237.80
MD-016 K		Universal lampshade.	1	0.10	100	59x39x29	10.00	2000	120x80x165	225.00



ID/EAN	Photo	Description	Unit pack		Multipack / carton			Multipack / pallet		
			qty.	kg	qty.	cm	kg	qty.	cm	kg
MD-002 L 5907556002784		Left rear lamp with a number plate light.	1	0.15	120	59x39x29	18.00	2400	120x80x165	385.00
MD-002 P 5907556002807		Right rear lamp without a number plate light.	1	0.15	120	59x39x29	18.00	2400	120x80x165	385.00
MD-002 K 5907556002777		Universal lampshade.	1	0.04	324	59x39x29	12.96	6480	120x80x165	264.20



ID/EAN	Photo	Description	Unit pack		Multipack / carton			Multipack / pallet		
			qty.	kg	qty.	cm	kg	qty.	cm	kg
FT-007 5907556001152		Universal rear lamp (MF type).	1	0.25	64	59x39x29	16.00	1280	120x80x165	345.00
FT-007 K 5907556001169		Lampshade.	10	0.71	250	59x39x29	17.75	5000	120x80x165	380.00





Small LAMP COVER

The tail lamp cover is primarily used to protect the lamp's electrical connector with an electric bundle against harmful weather conditions such as: water, mud or road salt in winter conditions. The cover is made of high quality material, making it extremely durable.

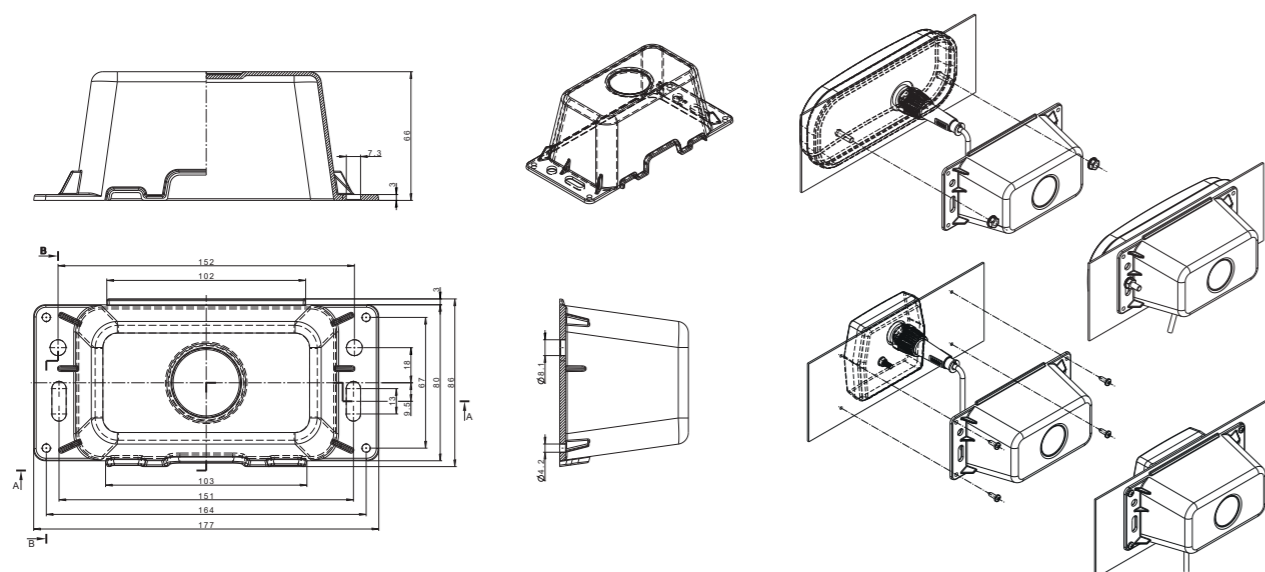
Application of this product:

- will significantly extend the life of the lamp connector
- it will allow you to hide the excess wire inside the cover.

It can be mounted with rear lamps with mounting bolt spacing 150–152mm.

For Frustom lamps with Bayonet or AMP connector you can list the following products:

- | | | | |
|------------|------------|------------|------------|
| FT-277 LED | FT-230 LED | FT-270 LED | FT-170 LED |
| FT-130 LED | FT-077 | FT-088 | |



Big LAMP COVER

The tail lamp cover is primarily used to protect the lamp's electrical connector with an electric bundle against harmful weather conditions such as: water, mud or road salt in winter conditions. The cover is made of high quality material, making it extremely durable.

Application of this product:

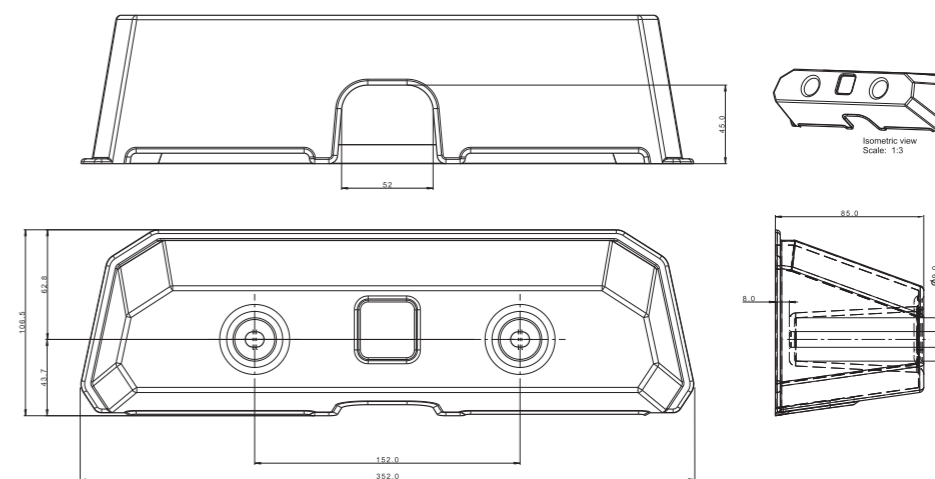
- will significantly extend the life of the lamp connector
- it will allow you to hide the excess wire inside the cover.

It can be mounted with rear lamps with mounting bolt spacing 150–152mm.

For Frustom lamps with Bayonet or AMP connector you can list the following products:

- | | | | |
|------------|------------|------------|------------|
| FT-700 LED | FT-600 LED | FT-610 LED | FT-500 LED |
|------------|------------|------------|------------|

Lamp cover can also be used for lamps from manufacturers such as ASPOECK or HELLA.





Third break LIGHT (STOP)

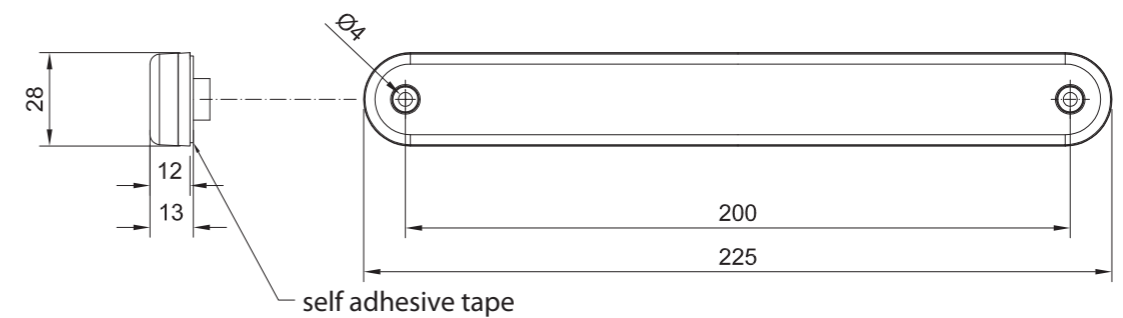
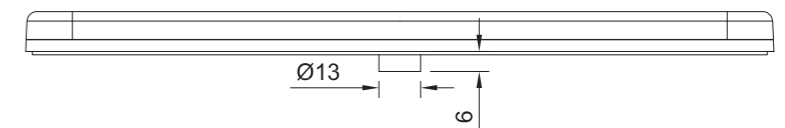
The third brake light protects you from the serious consequences of a collision or road accident.



- 1-functional LED lamp – low power consumption
- ElectroMagnetic Compatibility – EMC certificate
- shock-resistance – PC lampshade
- optional polarity connection
- lamp is equipped with 2x075 mm² wire
- the vertical and horizontal assembly is possible by means of double-sided tape or/and two screws.

- Lamp functions:**
- lamp has a third break light function
 - application: trailers; semi-trailers; special vehicles and others
- Lamp parameters:**
- Universal supply voltage: 12–36V DC
 - Operating temperature: –40°C to +55°C
 - Lamp is resistant to any weather conditions
 - Lamp is fully airtight

- Power consumption:**
- 12V/24V = 0.08A/0.08A
- Power consumption (rated power):**
- 12V/24V = 1W/2W



ID/EAN	Photo	Description	Unit pack		Multipack / carton			Multipack / pallet		
			qty.	kg	qty.	cm	kg	qty.	cm	kg
FT-190 LED 5907556011298		LED Third break light (STOP) with self-adhesive tape and 0.5 m wire.	1	0.08	200	59x39x29	16.00	4000	120x80x165	345.00
FT-190 LED M40 5907556011304		LED Third break light (STOP) with self-adhesive tape and 4.0 m wire.	1	0.202	130	59x39x29	26.26	3000	120x80x165	631.00



CLEARANCE *Lamps*

Clearance lamps are an indispensable type of vehicle lighting. They are used in trailers, car carriers and semi-trailers. They mark the **outer contour of the vehicle**, therefore they are mounted at the front, at the rear and on the sides of the vehicle.

LED Clearance lamps

- ◇ Standard length of the cable 0.5 m, 2x0.75 mm²
QS075 – Electrical connector enabling connection of the lamp to a 2x0.75 mm² diameter electrical installation
QS150 – Electrical connector enabling connection of the lamp to a 2x1.50 mm² diameter electrical installation
- ◇ Nonstandard length of the cable (QS075, QS150) – on order.
Lead time is individually determined.



- Lamps are inspired by **RETRO** style.
- european **E9** homologation
- ElectroMagnetic Compatibility – **EMC** certificate
- shock-resistance – **PC** lampshade
- optional polarity connection

They are available in several product versions
 – depending on the shape of the rubber arm and the color of the light:

- FT-147 LED **marker** lamps (white and red) with European approval and electromagnetic compatibility certificate
- FT-147 LED **decorative** lamps (yellow-yellow, red-yellow) – not European approved.

Technical specification:

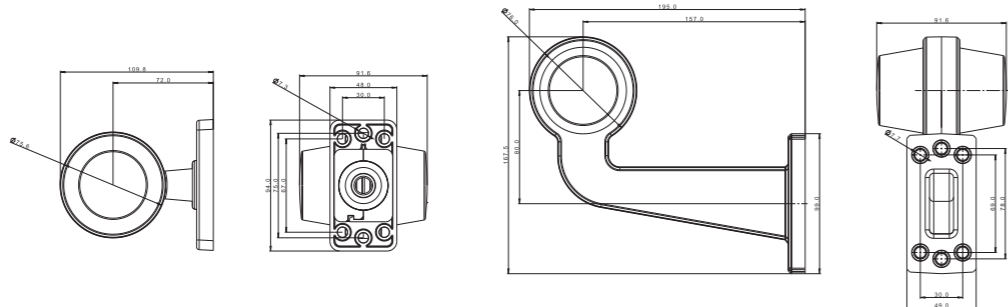
- supply voltage: **12–36V DC**
- operating temperature: **-40°C to +55°C**
- lamp is resistant to any weather conditions
- lamp is fully airtight

Power consumption:

- 12V/24V = 0.06A/0.06A

Power consumption / Rated power:

- 12V/24V = 0.75W/1.5W



LEC CAT SM

ID/EAN	Photo	Description	Unit pack		Multipack / carton			Multipack / pallet		
			qty.	kg	qty.	cm	kg	qty.	cm	kg
FT-147 A B/C LED 5907556032736		End outline marker lamp LED, 12-36V, white/red, on a short straight rubber bracket with a cable 0,45m.	1	0,196	80	59x39x29	15,68	1600	120x80x165	338,60
FT-147 A C/Z LED 5907556032743		End outline marker lamp (decorative) LED, 12-36V red/yellow, on a short straight rubber bracket with a cable 0,45m.	1	0,196	80	59x39x29	15,68	1600	120x80x165	338,60
FT-147 A Z/Z LED 5907556032750		End outline marker lamp (decorative) LED, 12-36V, yellow/yellow, on a short straight rubber bracket with a cable 0,45m.	1	0,196	80	59x39x29	15,68	1600	120x80x165	338,60
FT-147 F L B/C LED 5907556032774		End outline marker lamp LED, left, 12-36V, white/red, on a long L-shaped rubber bracket with a cable 0,3m.	1	0,298	50	59x39x29	14,90	1000	120x80x165	323,00
FT-147 F P B/C LED 5907556032781		End outline marker lamp LED, right, 12-36V, white/red, on a long L-shaped rubber bracket with a cable 0,3m.	1	0,298	50	59x39x29	14,90	1000	120x80x165	323,00
FT-147 F L C/Z LED 5907556032798		End outline marker lamp (decorative) LED, left, 12-36V, red/yellow, on a long L-shaped rubber bracket with a cable 0,3m.	1	0,298	50	59x39x29	14,90	1000	120x80x165	323,00
FT-147 F P C/Z LED 5907556032804		End outline marker lamp (decorative) LED, right, 12-36V, red/yellow, on a long L-shaped rubber bracket with a cable 0,3m.	1	0,298	50	59x39x29	14,90	1000	120x80x165	323,00
FT-147 F Z/Z LED 5907556032811		End outline marker lamp (decorative) LED, 12-36V, yellow/yellow, on a long L-shaped rubber bracket with a cable 0,3m.	1	0,298	50	59x39x29	14,90	1000	120x80x165	323,00



3-functional universal LED clearance lamp

- european **E9** homologation
- ElectroMagnetic Compatibility – **EMC** certificate
- shock-resistance – **PC** lampshade
- optional polarity connection

Lamp functions:

- white clearance light
- red clearance light
- yellow clearance light

Technical specification:

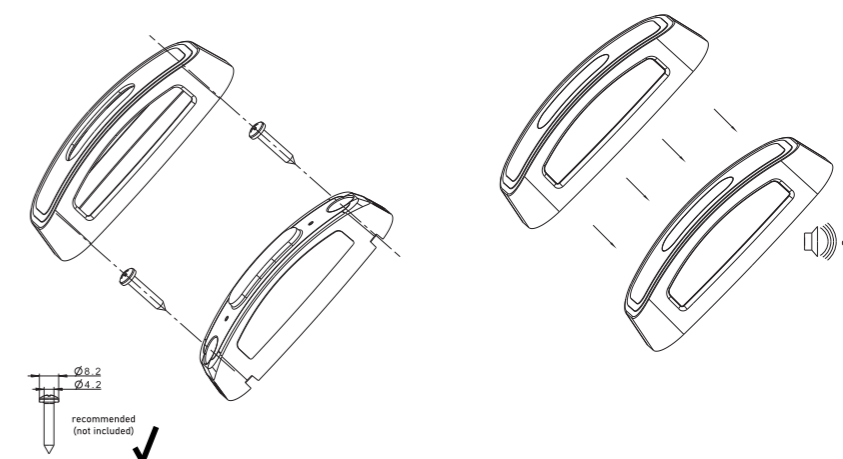
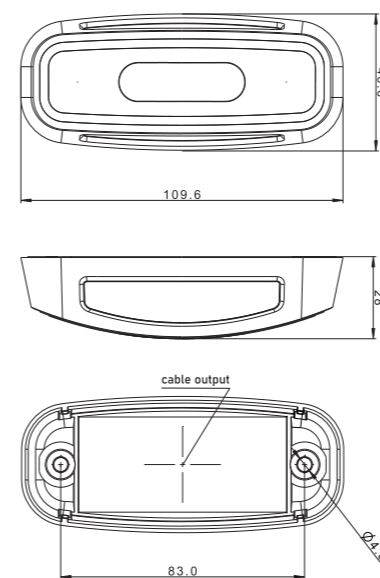
- supply voltage: **12–36V DC**
- operating temperature: **-40°C to +55°C**
- lamp is resistant to any weather conditions
- lamp is fully airtight

Power consumption:

• 12V/24V = 0.1A/0.1A

Power consumption / Rated power:

• 12V/24V = 1.2W/2.4W



SM LEC

ID/EAN	Photo	Description	Unit pack		Multipack / carton			Multipack / pallet		
			qty.	kg	qty.	cm	kg	qty.	cm	kg
FT-039 LED 5907556019379		LED clearance lamp, tree-functional, with a sidelight (front, tail and side), 0,5 m long cable.	1			59x39x29			120x80x165	



FT-062 LED



- 1-functional LED clearance lamp
- European E9 and American SAE approval.
- ElectroMagnetic Compatibility – EMC certificate
- Shock-resistance – PC lampshade
- Optional polarity connection

Lamp functions:

Depending on the light color:

- front clearance light
- rear clearance light
- side clearance light

- Vertical / horizontal approval

Technical specification:

- supply voltage: 12–36V DC
- operating temperature: – 40°C to +55°C
- optional polarity connection

Power consumption:

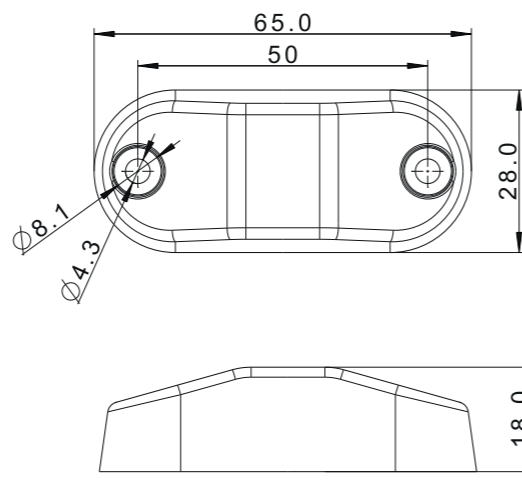
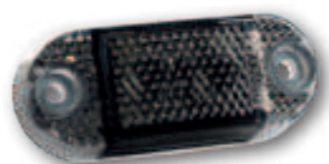
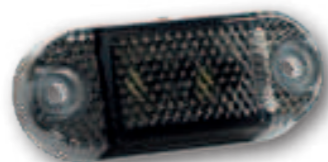
- front clearance light: 12V/24V = 0.025A/0.025A
- rear clearance light: 12V/24V = 0.05A/0.05A
- side clearance light: 12V/24V = 0.025A/0.025A

Power consumption / Rated power:

- front clearance light: 12V/24V = 0.3W/0.6W
- rear clearance light: 12V/24V = 0.6W/1.2W
- side clearance light: 12V/24V = 0.3W/0.6W

The lamp has European E9 and American SAE approval.

FT-062 LED DARK



ID/EAN	Photo	Description	Unit pack		Multipack / carton			Multipack / pallet		
			qty.	kg	qty.	cm	kg	qty.	cm	kg
FT-062 B LED 5907556019225		Clearance Lamp LED 12-36V, white, cable 0,15m.	10		59x39x29			120x80x165		
FT-062 C LED 5907556019232		Clearance Lamp LED 12-36V, red, cable 0,15m.	10		59x39x29			120x80x165		
FT-062 Z LED 5907556019249		Clearance Lamp LED 12-36V, yellow, cable 0,15m.	10		59x39x29			120x80x165		
FT-062 B LED DARK 5907556019577		Clearance Lamp LED 12-36V, white, DARK version, cable 0,15m.	10		59x39x29			120x80x165		
FT-062 C LED DARK 5907556019584		Clearance Lamp LED 12-36V, red, DARK version, cable 0,15m.	10		59x39x29			120x80x165		
FT-062 Z LED DARK 5907556019591		Clearance Lamp LED 12-36V, yellow, DARK version, cable 0,15m.	10		59x39x29			120x80x165		



- 2-functional LED clearance lamp
- European E9 approval.
- ElectroMagnetic Compatibility – EMC certificate
- Shock-resistance – PC lampshade
- Optional polarity connection
- The lamp has electrical protection against reverse polarity

Lamp functions:

Depending on the light color:

- front clearance light
- rear clearance light
- side clearance light

- Vertical / horizontal approval

Technical specification:

- supply voltage: 12–36V DC
- operating temperature: – 40°C to +55°C
- optional polarity connection

Power consumption:

- front clearance light: 12V/24V = 0.025A/0.025A
- rear clearance light: 12V/24V = 0.05A/0.05A
- side clearance light: 12V/24V = 0.025A/0.025A

Power consumption / Rated power:

- front clearance light: 12V/24V = 0.3W/0.6W
- rear clearance light: 12V/24V = 0.6W/1.2W
- side clearance light: 12V/24V = 0.3W/0.6W

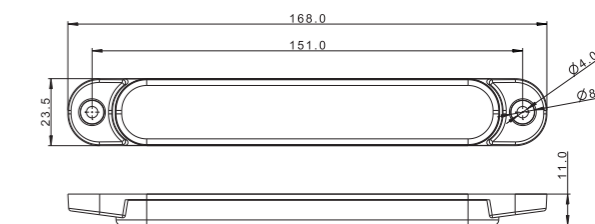
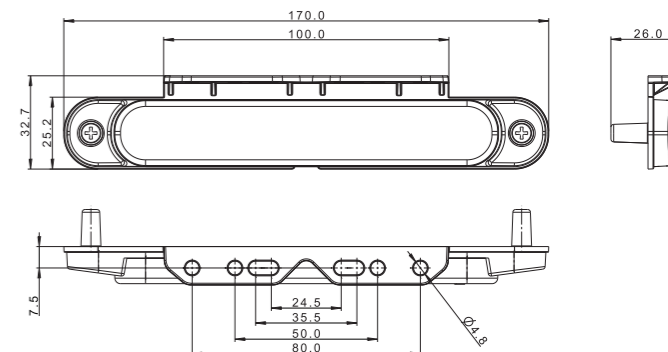
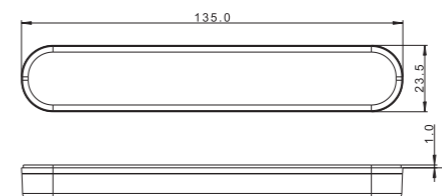
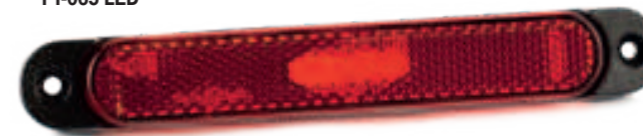
FT-065 LED TAPE



FT-065 Z+K LED



FT-065 LED



ID/EAN	Photo	Description	Unit pack		Multipack / carton			Multipack / pallet		
			qty.	kg	qty.	cm	kg	qty.	cm	kg
FT-065 B LED 5907556019133		Clearance lamp LED 12-36V, white with reflector and cable 0,5m.	10		59x39x29			120x80x165		
FT-065 C LED 5907556019140		Clearance lamp LED 12-36V, red with reflector and cable 0,5m.	10		59x39x29			120x80x165		
FT-065 Z LED 5907556019157		Clearance lamp LED 12-36V, yellow with reflector and cable 0,5m.	10		59x39x29			120x80x165		
FT-065 B+K LED 5907556019164		Clearance lamp LED 12-36V, white with reflector and an angle holder, 0,5m cable.	10		59x39x29			120x80x165		
FT-065 C+K LED 5907556019171		Clearance lamp LED 12-36V, red with reflector and an angle holder, 0,5m cable.	10		59x39x29			120x80x165		
FT-065 Z+K LED 5907556019188		Clearance lamp LED 12-36V, yellow with reflector and an angle holder, 0,5m cable.	10		59x39x29			120x80x165		
FT-065 B LED TAPE 5907556019195		Clearance lamp LED 12-36V, white with reflector, mounting on self-adhesive tape, 0,5m cable.	10		59x39x29			120x80x165		
FT-065 C LED TAPE 5907556019201		Clearance lamp LED 12-36V, red with reflector, mounting on self-adhesive tape, 0,5m cable.	10		59x39x29			120x80x165		
FT-065 Z LED TAPE 5907556019218		Clearance lamp LED 12-36V, yellow with reflector, mounting on self-adhesive tape, 0,5m cable.	10		59x39x29			120x80x165		



FT-067 LED



- 1-functional LED clearance lamp
- European E9 approval
- ElectroMagnetic Compatibility – EMC certificate
- Shock-resistance – PC lampshade
- Optional polarity connection

Lamp functions:

Depending on the light color:

- front clearance light
- rear clearance light
- side clearance light

Horizontal approval

Technical specification:

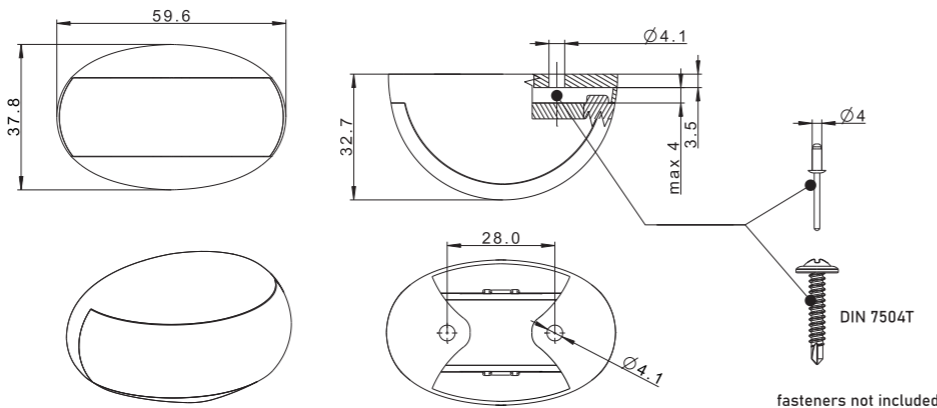
- supply voltage: 12–36V DC
- operating temperature: – 40°C to +55°C
- optional polarity connection

Power consumption:

- front clearance light: 12V/24V = 0.035A/0.035A
- rear clearance light: 12V/24V = 0.045A/0.045A
- side clearance light: 12V/24V = 0.035A/0.035A

Power consumption / Rated power:

- front clearance light: 12V/24V = 0.45W/0.9W
- rear clearance light: 12V/24V = 0.55W/1.1W
- side clearance light: 12V/24V = 0.45W/0.9W



fasteners not included

FT-067 LED DARK



- 1-functional LED clearance lamp
- European E9 approval
- ElectroMagnetic Compatibility – EMC certificate
- Shock-resistance – PC lampshade
- Optional polarity connection
- The lamp has electrical protection against reverse polarity

Lamp functions:

Depending on the light color:

- front clearance light
- rear clearance light
- side clearance light

Vertical / horizontal approval

Technical specification:

- supply voltage: 12–36V DC
- operating temperature: – 40°C to +55°C
- optional polarity connection

Power consumption:

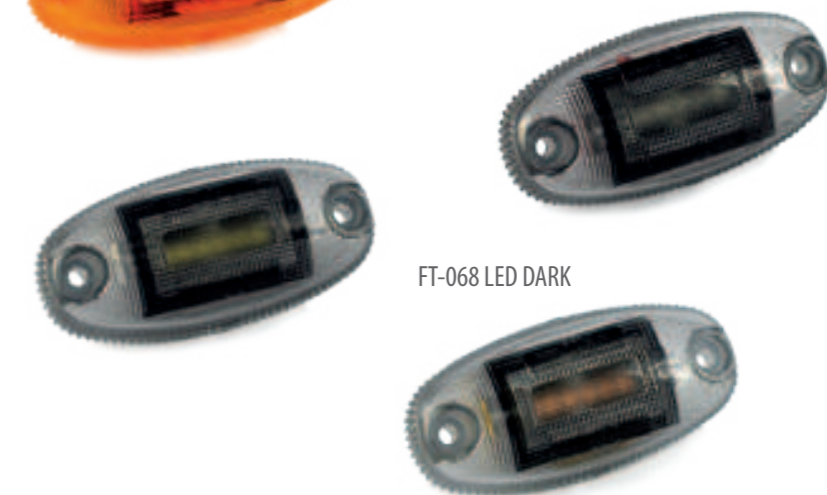
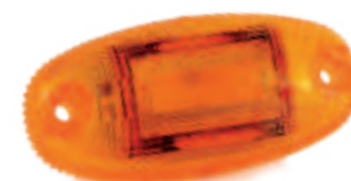
- front clearance light: 12V/24V = 0.025A/0.025A
- rear clearance light: 12V/24V = 0.05A/0.05A
- side clearance light: 12V/24V = 0.025A/0.025A

Power consumption / Rated power:

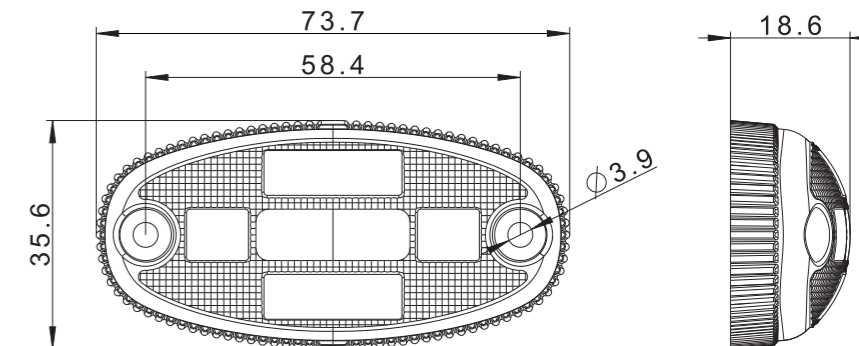
- front clearance light: 12V/24V = 0.3W/0.6W
- rear clearance light: 12V/24V = 0.6W/1.2W
- side clearance light: 12V/24V = 0.3W/0.6W



FT-068 LED



FT-068 LED DARK



ID/EAN	Photo	Description	Unit pack		Multipack / carton			Multipack / pallet		
			qty.	kg	qty.	cm	kg	qty.	cm	kg
FT-067 B LED 5907556019225		Clearance Lamp LED 12-36V, white, cable 0,15m.	10		59x39x29		120x80x165			
FT-067 C LED 5907556019232		Clearance Lamp LED 12-36V, red, cable 0,15m.	10		59x39x29		120x80x165			
FT-067 Z LED 5907556019249		Clearance Lamp LED 12-36V, yellow, cable 0,15m.	10		59x39x29		120x80x165			
FT-067 B LED DARK 5907556019577		Clearance Lamp LED 12-36V, white, DARK version, cable 0,15m.	10		59x39x29		120x80x165			
FT-067 C LED DARK 5907556019584		Clearance Lamp LED 12-36V, red, DARK version, cable 0,15m.	10		59x39x29		120x80x165			
FT-067 Z LED DARK 5907556019591		Clearance Lamp LED 12-36V, yellow, DARK version, cable 0,15m.	10		59x39x29		120x80x165			



ID/EAN	Photo	Description	Unit pack		Multipack / carton			Multipack / pallet		
			qty.	kg	qty.	cm	kg	qty.	cm	kg
FT-068 B LED 5907556019317		Clearance Lamp LED 12-36V, white, cable 0,15m.	10		59x39x29		120x80x165			
FT-068 C LED 5907556019324		Clearance Lamp LED 12-36V, red, cable 0,15m.	10		59x39x29		120x80x165			
FT-068 Z LED 5907556019331		Clearance Lamp LED 12-36V, yellow, cable 0,15m.	10		59x39x29		120x80x165			
FT-068 B LED DARK 5907556019348		Clearance Lamp LED 12-36V, white, DARK version, cable 0,15m.	10		59x39x29		120x80x165			
FT-068 C LED DARK 5907556019355		Clearance Lamp LED 12-36V, red, DARK version, cable 0,15m.	10		59x39x29		120x80x165			
FT-068 Z LED DARK 5907556019362		Clearance Lamp LED 12-36V, yellow, DARK version, cable 0,15m.	10		59x39x29		120x80x165			



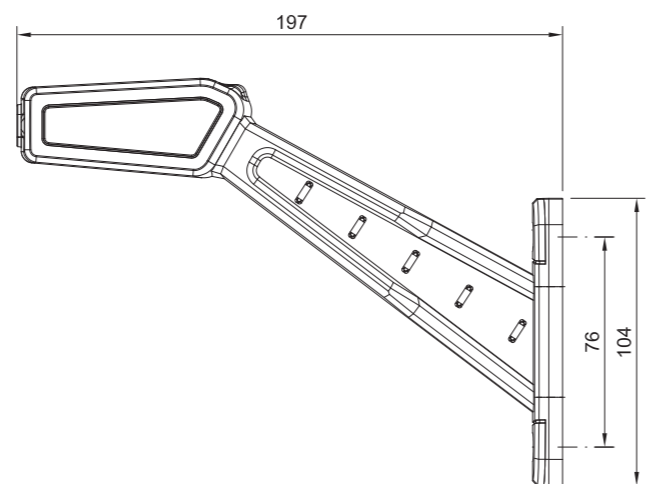
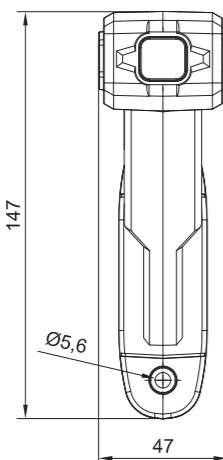
3-functional LED end-outline marker with the rubber elastic bracket.
European E9 homologation
ElectroMagnetic Compatibility – EMC certificate

Lamp functions:
- white clearance front light
- red clearance rear light
- yellow clearance side light
- lamp is fully airtight

Technical specification:
- supply voltage: 12–36V DC
- operating temperature: –40°C to +55°C
- optional polarity connection

Power consumption:
- 12V/24V = 0.1A/0.1A

Power consumption / Rated power:
- 12V/24V = 1.2W/2.4W



SM LEC

ID/EAN	Photo	Description	Unit pack		Multipack / carton			Multipack / pallet		
			qty.	kg	qty.	cm	kg	qty.	cm	kg
FT-146 L LED 5907556016576		3-functional LED side marker, left, long, slanted rubber arm, 2x0.75 mm ² cable 0.3 m long.	1	0.190	100	59x39x29	19.00	2000	120x80x165	405.00
FT-146 P LED 5907556016583		3-functional LED side marker, right, long, slanted rubber arm, 2x0.75 mm ² cable 0.3 m long.	1	0.190	100	59x39x29	19.00	2000	120x80x165	405.00



1-functional LED lamp
European homologation E9 mark
ElectroMagnetic Compatibility – EMC certificate
Shockproof lamp
The lamp connection polarity is optional
Easy assembling lamp
Unique light emission

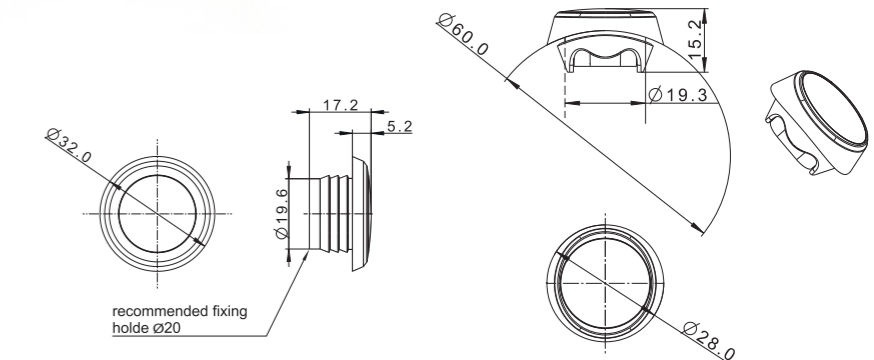
Can be mounted on the vehicle piping using an additional rubber, included in the set – NEW in the offer!

Lamp Functions:
Depending on the color of the light:
• front position „A – approval after 360 rotation
• rear position „R1 – approval after 360 rotation
• side marker „SM1 – approval after 360 rotation
• decorative light (blue and green)

Lamp parameters:
- supply voltage range: 12-36V DC
- working temperature: –40°C do +55°C
- lamp resistant to hard weather conditions
- lamp is fully airtight

Power consumption:
- 12V/24V = 0.03A/0.03A

Power consumption (rated power):
- 12V/24V = 0.4W/0.8W



SM LEC

ID/EAN	Photo	Description	Unit pack		Multipack / carton			Multipack / pallet		
			qty.	kg	qty.	cm	kg	qty.	cm	kg
FT-074 B LED 5907556015616		Clearance Lamp LED 12-36V, white, round, recessed, cable 0.15 m.	10	0.160	800	59x39x29	12,80	16000	120x80x165	256,00
FT-074 C LED 5907556015623		Clearance Lamp LED 12-36V, red, round, recessed, cable 0.15 m.	10	0.160	800	59x39x29	12,80	16000	120x80x165	256,00
FT-074 Z LED 5907556015630		Clearance Lamp LED 12-36V, yellow, round, recessed, cable 0.15 m.	10	0.160	800	59x39x29	12,80	16000	120x80x165	256,00
FT-074 N LED 5907556019553		Decorative lamp LED 12-36V, blue, round, recessed, cable 0,15m.	10	0.160	800	59x39x29	12,80	16000	120x80x165	256,00
FT-074 ZIEL LED 5907556019560		Decorative lamp LED 12-36V, green, round, recessed, cable 0,15m.	10	0.160	800	59x39x29	12,80	16000	120x80x165	256,00



- 1-functional LED clearance lamp
- European E9 homologation
- ElectroMagnetic Compatibility – EMC certificate
- Shock-resistance – PC lampshade
- Optional polarity connection
- This popular LED Marker Light fits neatly onto tubular stainless steel, commonly used on bars for Vans and Trucks
- Lamp is equipped with screw covers
- Not only stunning light emission but also catchy brightness

NEW
FT-073 BZ LED



FT-073 BZ LED / FT-073 BZ LED DARK lamps they present two colors of light. Using a **switch** (installation on the customer's side) it is possible to **change the light** from **white to yellow** and vice versa.

- Lamp functions:**
Depending on the light color:
- **front** clearance light – horizontal and vertical approval
 - **rear** clearance light – horizontal and vertical approval
 - **side** clearance light – horizontal approval
 - **decorative** light (blue and green)

- Technical specification:**
- supply voltage: 12–36V DC
 - operating temperature: –40°C to +55°C
 - lamp is resistant to any weather conditions
 - lamp is fully airtight
- Power consumption:**
- 12V/24V = 0.05A/0.05A
- Power consumption / Rated power:**
- 12V/24V = 0.6W/1.2W

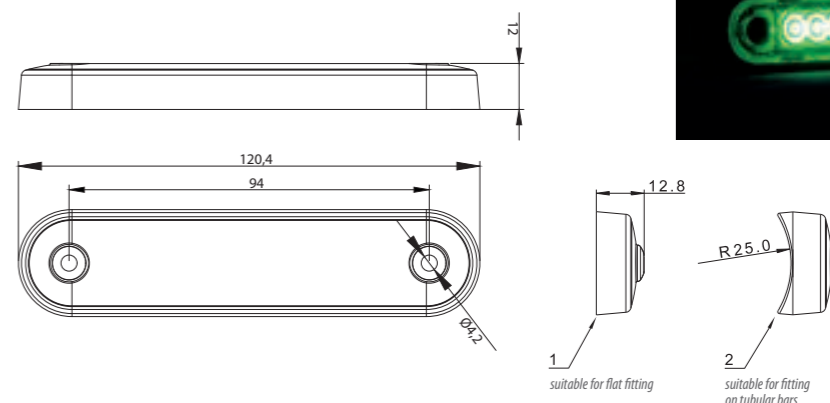
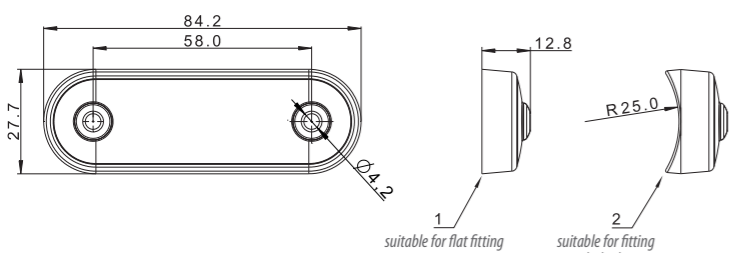
- 1-functional LED clearance lamp
- European E9 homologation
- ElectroMagnetic Compatibility – EMC certificate
- Shock-resistance – PC lampshade
- Optional polarity connection
- This popular LED Marker Light fits neatly onto tubular stainless steel, commonly used on bars for Vans and Trucks
- Lamp is equipped with screw covers
- Not only stunning light emission but also catchy brightness

- Lamp functions:**
Depending on the light color:
- **front** clearance light – horizontal and vertical approval
 - **rear** clearance light – horizontal and vertical approval
 - **side** clearance light – horizontal approval
 - **decorative** light (blue and green)

- Technical specification:**
- supply voltage: 12–36V DC
 - operating temperature: –40°C to +55°C
 - lamp is resistant to any weather conditions
 - lamp is fully airtight

- Power consumption:**
- 12V/24V = 0,1A/0,1A
- Power consumption / Rated power:**
- 12V/24V = 1,2W/2,4W

- SET CONTAINS:**
- side marker lamp
 - rubber for flat fitting
 - rubber for fitting on tubular bars
 - screw covers



ID/EAN	Photo	Description	Unit pack			Multipack / carton			Multipack / pallet		
			qty.	kg		qty.	cm	kg	qty.	cm	kg
FT-073 B LED 5907556015487		Clearance Lamp LED 12-36V, white, loom 0.15 m, with a flat and round black rubber gasket for a vehicle bullbars.	10	0.6	500	59x39x29	30,70	10000	120x80x165	639,00	
FT-073 C LED 5907556015494		Clearance Lamp LED 12-36V, RED, loom 0.15 m, with a flat and round black rubber gasket for a vehicle bullbars.	10	0.6	500	59x39x29	30,70	10000	120x80x165	639,00	
FT-073 Z LED 5907556015500		Clearance Lamp LED 12-36V, YELLOW, loom 0.15 m, with a flat and round black rubber gasket for a vehicle bullbars.	10	0.6	500	59x39x29	30,70	10000	120x80x165	639,00	
FT-073 N LED 5907556019515		Decorative lamp LED 12-36V, blue, loom 0,15m, with a flat and round black rubber gasket for a vehicle bullbars.	10	0,6	500	59x39x29	30,70	10000	120x80x165	639,00	
FT-073 ZIEL LED 5907556019522		Decorative lamp LED 12-36V, green, loom 0,15m, with a flat and round black rubber gasket for a vehicle bullbars.	10	0,6	500	59x39x29	30,70	10000	120x80x165	639,00	
FT-073 BZ LED 5907556032842		Clearance Lamp LED 12-36V, white and yellow, loom 0,15 m, with a flat and round black rubber gasket for a vehicle bullbars.	10	0,6	500	59x39x29	30,70	10000	120x80x165	639,00	

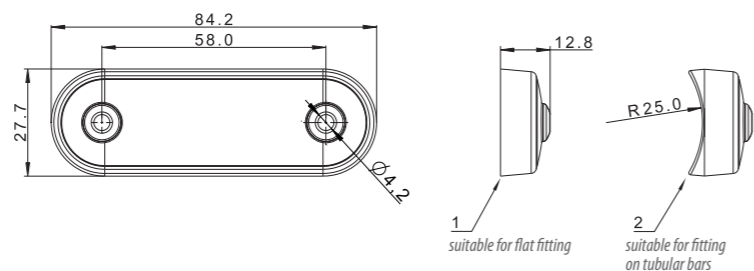
ID/EAN	Photo	Description	Unit pack			Multipack / carton			Multipack / pallet		
			qty.	kg		qty.	cm	kg	qty.	cm	kg
FT-073 B LED LONG 5907556018228		Clearance Lamp LED 12-36V, white, loom 0.15m, with a flat and round black rubber gasket for a vehicle bullbars.	10	0.640	400	59x39x29	26,30	8000	120x80x165	551,00	
FT-073 C LED LONG 5907556018235		Clearance Lamp LED 12-36V, red, loom 0.15m, with a flat and round black rubber gasket for a vehicle bullbars.	10	0.640	400	59x39x29	26,30	8000	120x80x165	551,00	
FT-073 Z LED LONG 5907556018242		Clearance Lamp LED 12-36V, yellow, loom 0.15m, with a flat and round black rubber gasket for a vehicle bullbars.	10	0.640	400	59x39x29	26,30	8000	120x80x165	551,00	
FT-073 N LED LONG 5907556019539		Decorative lamp LED 12-36V, blue, loom 0,15m, with a flat and round black rubber gasket for a vehicle bullbars.	10	0,640	400	59x39x29	26,30	8000	120x80x165	551,00	
FT-073 ZIEL LED LONG 5907556019546		Decorative lamp LED 12-36V, green, loom 0,15m, with a flat and round black rubber gasket for a vehicle bullbars.	10	0,640	400	59x39x29	26,30	8000	120x80x165	551,00	



NEW
FT-073 BZ LED DARK



FT-073 BZ LED / FT-073 BZ LED DARK lamps they present two colors of light. Using a **switch** (installation on the customer's side) it is possible to **change the light from white to yellow and vice versa**.



- 1-functional LED clearance lamp
- European E9 homologation
- ElectroMagnetic Compatibility – EMC certificate
- Shock-resistance – PC lampshade
- Optional polarity connection
- This popular LED Marker Light fits neatly onto tubular stainless steel, commonly used on bars for Vans and Trucks
- Lamp is equipped with screw covers
- Not only stunning light emission but also catchy brightness

Lamp functions:

Depending on the light color:

- front clearance light – horizontal and vertical approval
- rear clearance light – horizontal and vertical approval
- side clearance light – horizontal approval

Technical specification:

- supply voltage: 12–36V DC
- operating temperature: –40°C to +55°C
- lamp is resistant to any weather conditions
- lamp is fully airtight

Power consumption:

- 12V/24V = 0.05A/0.05A

Power consumption / Rated power:

- 12V/24V = 0.6W/1.2W



ID/EAN	Photo	Description	Unit pack		Multipack / carton			Multipack / pallet		
			qty.	kg	qty.	cm	kg	qty.	cm	kg
FT-073 B LED DARK 5907556018860		Clearance Lamp LED 12-36V, white, DARK version, loom 0.5m, with a flat and round black rubber gasket for a vehicle bullbars.	10	0.6	500	59x39x29	30.70	10000	120x80x165	639.00
FT-073 C LED DARK 5907556018877		Clearance Lamp LED 12-36V, RED, DARK version, loom 0.5m, with a flat and round black rubber gasket for a vehicle bullbars.	10	0.6	500	59x39x29	30.70	10000	120x80x165	639.00
FT-073 Z LED DARK 5907556018884		Clearance Lamp LED 12-36V, YELLOW, DARK version, loom 0.5m, with a flat and round black rubber gasket for a vehicle bullbars.	10	0.6	500	59x39x29	30.70	10000	120x80x165	639.00
FT-073 Z LED DARK 5907556018884		Decorative lamp LED 12-36V, blue, DARK version, loom 0,15m, with a flat and round black rubber gasket for a vehicle bullbars.	10	0.6	500	59x39x29	30.70	10000	120x80x165	639.00
FT-073 Z LED DARK 5907556018884		Decorative lamp LED 12-36V, green, DARK version, loom 0,15m, with a flat and round black rubber gasket for a vehicle bullbars.	10	0.6	500	59x39x29	30.70	10000	120x80x165	639.00
FT-073 Z LED DARK 5907556018884		Clearance Lamp LED 12-36V, white and yellow, DARK version, loom 0,15 m, with a flat and round black rubber gasket for a vehicle bullbars.	10	0.6	500	59x39x29	30.70	10000	120x80x165	639.00



SET CONTAINS:
- side marker lamp
- rubber for flat fitting
- rubber for fitting on tubular bars
- screw covers

- 1-functional LED clearance lamp
- European E9 homologation
- ElectroMagnetic Compatibility – EMC certificate
- Shock-resistance – PC lampshade
- Optional polarity connection
- This popular LED Marker Light fits neatly onto tubular stainless steel, commonly used on bars for Vans and Trucks
- Lamp is equipped with screw covers
- Not only stunning light emission but also catchy brightness

Lamp functions:

Depending on the light color:

- front clearance light – horizontal and vertical approval
- rear clearance light – horizontal and vertical approval
- side clearance light – horizontal approval

Technical specification:

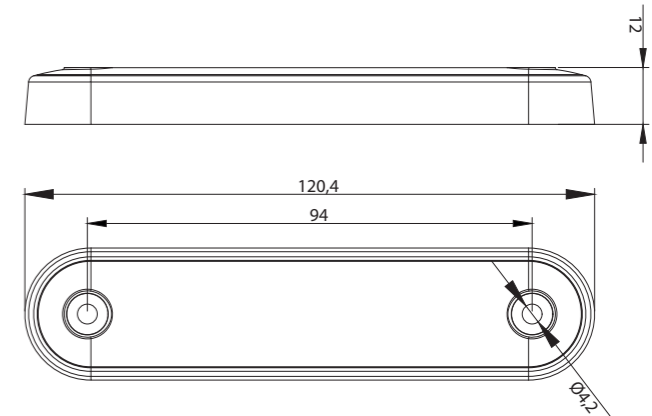
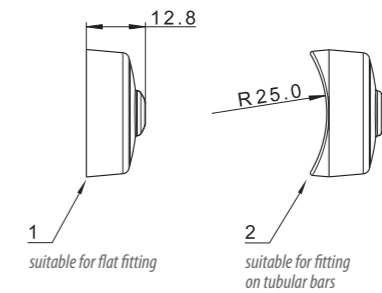
- supply voltage: 12–36V DC
- operating temperature: –40°C to +55°C
- lamp is resistant to any weather conditions
- lamp is fully airtight

Power consumption:

- 12V/24V = 0,1A/0,1A

Power consumption / Rated power:

- 12V/24V = 1,2W/2,4W



ID/EAN	Photo	Description	Unit pack		Multipack / carton			Multipack / pallet		
			qty.	kg	qty.	cm	kg	qty.	cm	kg
FT-073 B LED LONG DARK 5907556018839		Clearance Lamp LED 12-36V, white, DARK version, loom 0.15m, with a flat and round black rubber gasket for a vehicle bullbars.	10	0,640	400	59x39x29	26,30	8000	120x80x165	551,00
FT-073 C LED LONG DARK 5907556018846		Clearance Lamp LED 12-36V, RED, DARK version, loom 0.15m, with a flat and round black rubber gasket for a vehicle bullbars.	10	0,640	400	59x39x29	26,30	8000	120x80x165	551,00
FT-073 Z LED LONG DARK 5907556018853		Clearance Lamp LED 12-36V, YELLOW, DARK version, loom 0.15m, with a flat and round black rubber gasket for a vehicle bullbars.	10	0,640	400	59x39x29	26,30	8000	120x80x165	551,00



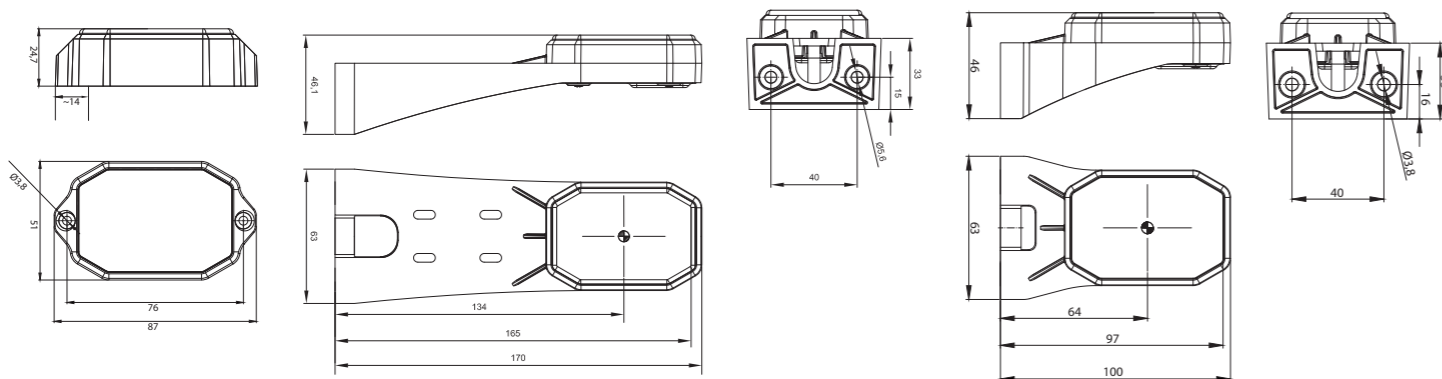
- 1-functional LED clearance lamp with a reflector
- european E9 homologation
- ElectroMagnetic Compatibility – EMC certificate
- shock-resistance – PC lampshade
- optional polarity connection

Lamp functions:
- clearance light

Technical specification:
- supply voltage: 12–36V DC
- operating temperature: –40°C to +55°C
- lamp is resistant to any weather conditions
-- IP68

Power consumption:
- 12V/24V = 0.04A/0.04A

Power consumption / Rated power:
- 12V/24V = 0.5W/1.0W



LED CAT SM

ID/EAN	Photo	Description	Unit pack		Multipack / carton			Multipack / pallet		
			qty.	kg	qty.	cm	kg	qty.	cm	kg
FT-069 B LED 5907556018143		White LED clearance lamp with a reflector, flat mounting, without cable.	10	0,700	400	59x39x29	28,00	8000	120x80x165	560,00
FT-069 BI LED 5907556018150		White LED clearance lamp with a reflector, an angle short holder, without cable.	10	0,860	150	59x39x29	12,90	3000	120x80x165	258,00
FT-069 BIV LED 5907556018167		White clearance LED lamp with a reflector, an angle long holder and without cable.	1	0,980	100	59x39x29	9,80	2000	120x80x165	196,00
FT-069 Z LED 5907556018174		Yellow LED clearance lamp with a reflector, flat mounting, without cable.	10	0,700	400	59x39x29	28,00	8000	120x80x165	560,00
FT-069 ZI LED 5907556018181		Yellow LED clearance lamp with a reflector, an angle short holder, without cable.	10	0,860	150	59x39x29	12,90	3000	120x80x165	258,00
FT-069 ZIV LED 5907556018198		Yellow clearance LED lamp with a reflector, an angle long holder and without cable.	1	0,980	100	59x39x29	9,80	2000	120x80x165	196,00
WKLAD FT-069 B LED 5907556018204		White LED clearance lamp insert with a reflector, without cable.	10	0,360		59x39x29			120x80x165	
WKLAD FT-069 Z LED 5907556018211		Yellow LED clearance lamp insert with a reflector, without cable.	10	0,360		59x39x29			120x80x165	



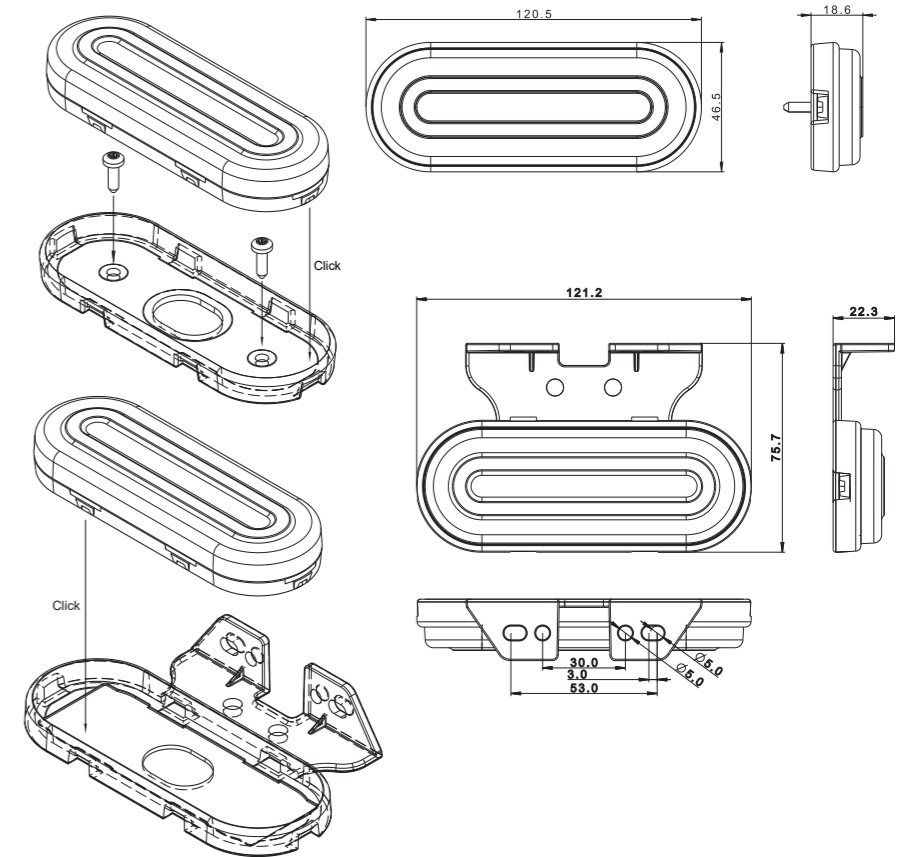
1-functional LED clearance lamp with a reflector
European E9 homologation
ElectroMagnetic Compatibility – EMC certificate
Shock-resistance – PC lampshade
Optional polarity connection
The lamp construction features airtightness and resistance of electronic components emitting light to adverse external weather conditions.
There are no visible elements connecting the lamp with the body (click system).

Lamp functions:
Depending on the light color:
- front clearance light with reflector – horizontal and vertical approval
- rear clearance light with reflector – horizontal and vertical approval
- side clearance light with reflector – horizontal approval

Technical specification:
- supply voltage: 12–36V DC
- operating temperature: –40°C to +55°C
- lamp is resistant to any weather conditions
- lamp is fully airtight

Power consumption:
- 12V/24V = 0.1A/0.1A

Power consumption / Rated power:
- 12V/24V = 1.2W/2.4W



SM LED

ID/EAN	Photo	Description	Unit pack		Multipack / carton			Multipack / pallet		
			qty.	kg	qty.	cm	kg	qty.	cm	kg
FT-072 B LED 5907556015456		Clearance Lamp LED 12-36V, white with reflector and a loom 0.5 m.	10	1.10	150	59x39x29	18.80	3000	120x80x165	376.00
FT-072 C LED 5907556015463		Clearance Lamp LED 12-36V, red with reflector and a loom 0.5 m.	10	1.10	150	59x39x29	18.80	3000	120x80x165	376.00
FT-072 Z LED 5907556015470		Clearance Lamp LED 12-36V, yellow with reflector and a loom 0.5 m.	10	1.10	150	59x39x29	18.80	3000	120x80x165	376.00

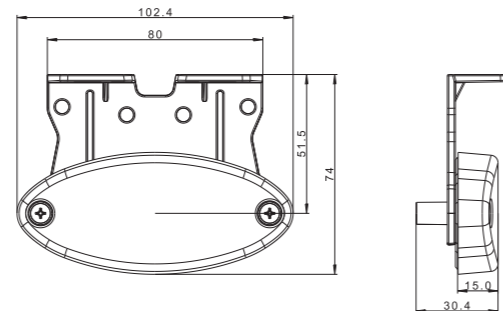
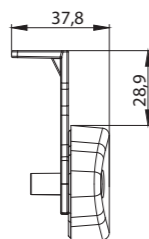
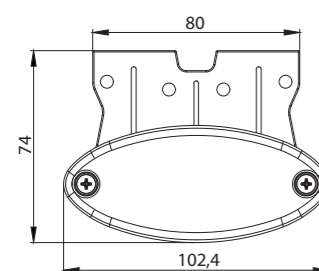
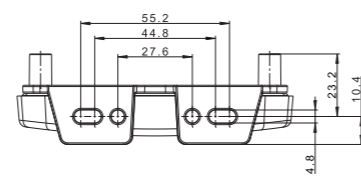
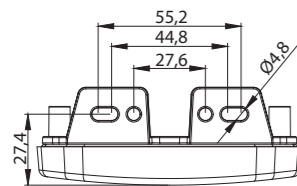
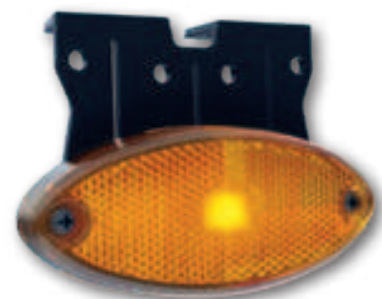
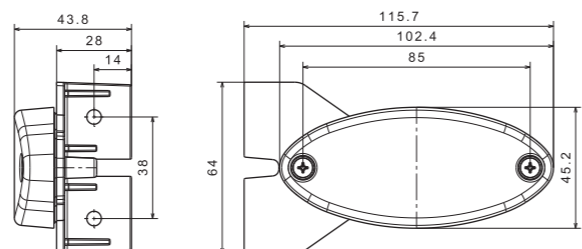
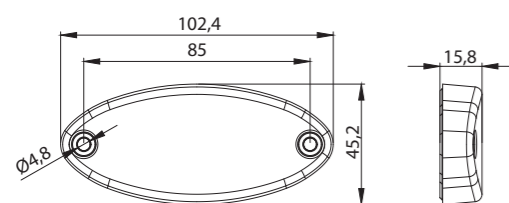
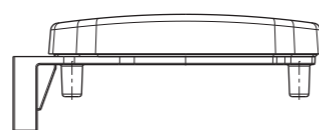


2-functional LED clearance lamp with a reflector
 - european E9 homologation
 - ElectroMagnetic Compatibility – EMC certificate
 - shock-resistance – PC lampshade
 - optional polarity connection

Lamp functions:
 Depending on the light color:
 - front clearance light
 - rear clearance light
 - side clearance light

Technical specification:
 - supply voltage: 12–36V DC
 - operating temperature: –40°C to +55°C
 - lamp is resistant to any weather conditions
 - lamp is fully airtight

Power consumption:
 - 12V/24V = 0.04A/0.04A
Power consumption / Rated power:
 - 12V/24V = 0.5W/1W



CAT SM LED

ID/EAN	Photo	Description	Unit pack		Multipack / carton			Multipack / pallet		
			qty.	kg	qty.	cm	kg	qty.	cm	kg
FT-061 B LED 5907556017856		Clearance Lamp LED 12-36V, white with reflector and a loom 0,5m.	10	0,550	250	59x39x29	13,75	5000	120x80x165	275,00
FT-061 B LED QS075 5907556017863		Clearance Lamp LED 12-36V, white with reflector a loom lenght 0,5m and connector QS075.	10	0,610	250	59x39x29	15,00	5000	120x80x165	300,00
FT-061 B LED QS150 5907556017870		Clearance Lamp LED 12-36V, white with reflector a loom lenght 0,5m and connector QS150.	10	0,650	250	59x39x29	16,25	5000	120x80x165	325,00
FT-061 C LED 5907556017887		Clearance Lamp LED 12-36V, red with reflector and a loom 0,5m.	10	0,550	250	59x39x29	13,75	5000	120x80x165	275,00
FT-061 C LED QS075 5907556018020		Clearance Lamp LED 12-36V, red with reflector a loom lenght 0,5m and connector QS075.	10	0,610	250	59x39x29	15,00	5000	120x80x165	300,00
FT-061 C LED QS150 5907556018037		Clearance Lamp LED 12-36V, red with reflector a loom lenght 0,5m and connector QS150.	10	0,650	250	59x39x29	16,25	5000	120x80x165	325,00
FT-061 Z LED 5907556017894		Clearance Lamp LED 12-36V, yellow with reflector and a loom 0,5m.	10	0,550	250	59x39x29	13,75	5000	120x80x165	275,00
FT-061 Z LED QS075 5907556017900		Clearance Lamp LED 12-36V, yellow with reflector a loom lenght 0,5m and connector QS075.	10	0,610	250	59x39x29	15,00	5000	120x80x165	300,00
FT-061 Z LED QS150 5907556017917		Clearance Lamp LED 12-36V, yellow with reflector a loom lenght 0,5m and connector QS150.	10	0,650	250	59x39x29	16,25	5000	120x80x165	325,00
FT-061 B+K LED 5907556018259		Clearance Lamp LED 12-36V, white with reflector and an angle holder, cable 0,5m.	10	0,750	200	59x39x29	15,00	4000	120x80x165	300,00
FT-061 B+K LED QS075 5907556018266		Clearance Lamp LED 12-36V, white with reflector and an angle holder, cable 0,5m and connector QS075.	10	0,800	200	59x39x29	16,00	4000	120x80x165	320,00
FT-061 B+K LED QS150 5907556018273		Clearance Lamp LED 12-36V, white with reflector and an angle holder, cable 0,5m and connector QS150.	10	0,880	200	59x39x29	17,60	4000	120x80x165	352,00
FT-061 C+K LED 5907556018280		Clearance Lamp LED 12-36V, red with reflector and an angle holder, cable 0,5m.	10	0,750	200	59x39x29	15,00	4000	120x80x165	300,00
FT-061 C+K LED QS075 5907556018297		Clearance Lamp LED 12-36V, red with reflector and an angle holder, cable 0,5m and connector QS075.	10	0,800	200	59x39x29	16,00	4000	120x80x165	320,00
FT-061 C+K LED QS150 5907556018303		Clearance Lamp LED 12-36V, red with reflector and an angle holder, cable 0,5m and connector QS150.	10	0,880	200	59x39x29	17,60	4000	120x80x165	352,00
FT-061 Z+K LED 5907556018310		Clearance Lamp LED 12-36V, yellow with reflector and an angle holder, cable 0,5m.	10	0,750	200	59x39x29	15,00	4000	120x80x165	300,00
FT-061 Z+K LED QS075 5907556018327		Clearance Lamp LED 12-36V, yellow with reflector and an angle holder, cable 0,5m and connector QS075.	10	0,800	200	59x39x29	16,00	4000	120x80x165	320,00
FT-061 Z+K LED QS150 5907556018334		Clearance Lamp LED 12-36V, yellow with reflector and an angle holder, cable 0,5m and connector QS150.	10	0,880	200	59x39x29	17,60	4000	120x80x165	352,00
FT-061 BI LED 5907556019027		Clearance Lamp LED 12-36V, white with reflector, side angle bracket and a loom 0,5m.	10	0,780	200	59x39x29	15,60	4000	120x80x165	312,00
FT-061 BI LED QS075 5907556019034		Clearance Lamp LED 12-36V, white with reflector, side angle bracket and a loom lenght 0,5m and connector QS075.	10	0,830	200	59x39x29	16,60	4000	120x80x165	332,00
FT-061 CI LED 5907556019041		Clearance Lamp LED 12-36V, red with reflector, side angle bracket and a loom 0,5m.	10	0,780	200	59x39x29	15,60	4000	120x80x165	312,00
FT-061 CI LED QS075 5907556019058		Clearance Lamp LED 12-36V, red with reflector, side angle bracket and a loom lenght 0,5m and connector QS075.	10	0,830	200	59x39x29	16,60	4000	120x80x165	332,00
FT-061 Z+KF LED QS075 5907556028623		Clearance Lamp LED 12-36V, yellow with reflector and an angle holder directed to front, cable 0,5m, connector QS075.	10	0,800	200	59x39x29	16,00	4000	120x80x165	320,00
FT-061 Z+KF LED QS150 5907556028753		Clearance Lamp LED 12-36V, yellow with reflector and an angle holder directed to front, cable 0,5m, connector QS150.	10	0,880	200	59x39x29	17,60	4000	120x80x165	352,00



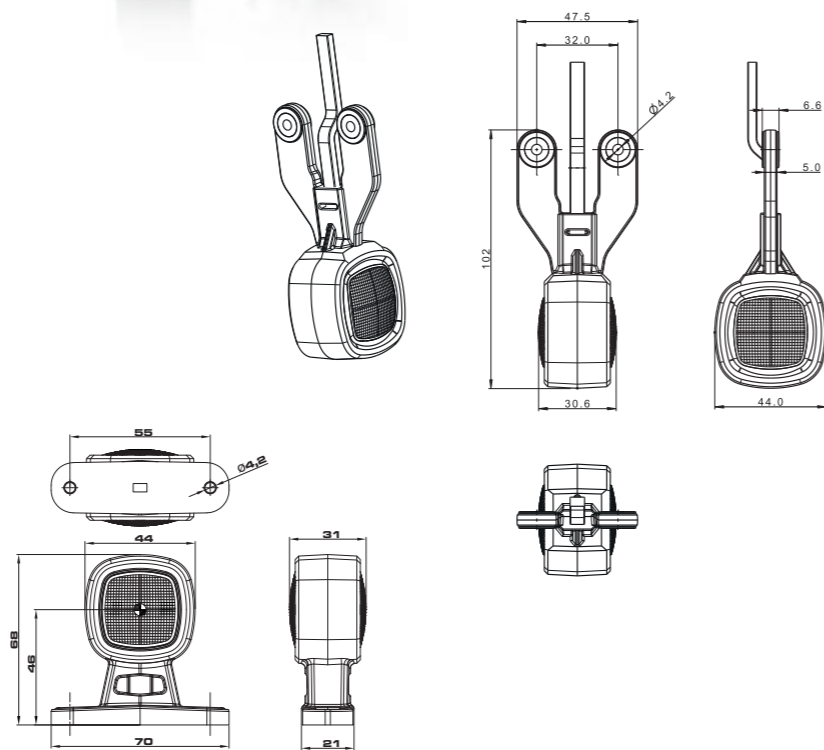
2-functional universal LED end-outline marker with the rubber bracket
 European E9 homologation
 ElectroMagnetic Compatibility – EMC certificate
 Shock-resistance – PC lampshade
 Optional polarity connection

Lamp functions:
 - white clearance light
 - red clearance light

Technical specification:
 - supply voltage: 12–36V DC
 - operating temperature: –40°C to +55°C
 - lamp is resistant to any weather conditions
 - lamp is fully airtight

Power consumption:
 - 12V/24V = 0.05A/0.05A

Power consumption / Rated power:
 - 12V/24V = 0.6W/1.2W



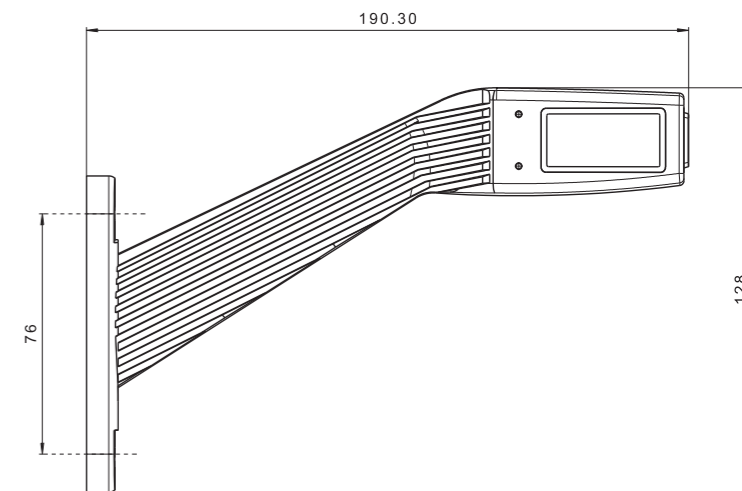
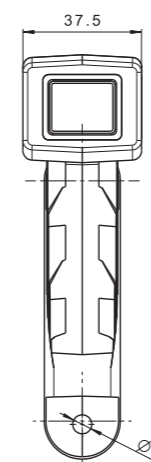
3-functional LED end-outline marker with the rubber elastic bracket.
 - european E9 homologation
 - ElectroMagnetic Compatibility – EMC certificate
 - shock-resistance – PC lampshade

Lamp functions:
 - white clearance front light
 - red clearance rear light
 - yellow clearance side light
 - lamp is fully airtight

Technical specification:
 - supply voltage: 12–36V DC
 - operating temperature: –40°C to +55°C
 - optional polarity connection

Power consumption:
 - 12V/24V = 0.1A/0.1A

Power consumption / Rated power:
 - 12V/24V = 1.2W/2.4W



SM LED

ID/EAN	Photo	Description	Unit pack		Multipack / carton			Multipack / pallet		
			qty.	kg	qty.	cm	kg	qty.	cm	kg
FT-141 LED 5907556015517		2-functional LED side marker, 12-30V, hanging version, 2x0.75 mm ² cable 0.5 m long.	1	0,075	200	59x39x29	15,60	4000	120x80x165	337,00
FT-141 A LED 5907556015593		2-functional LED side marker, 12x30V, 2x0.75 mm ² cable 0.5 m.	1	0,078	250	59x39x29	19,50	5000	120x80x165	390,00

SM LED

ID/EAN	Photo	Description	Unit pack		Multipack / carton			Multipack / pallet		
			qty.	kg	qty.	cm	kg	qty.	cm	kg
FT-145 L LED 5907556013599		3-functional LED side marker, left, long, slanted rubber arm, 2x0.75 mm ² cable 0.3 m long.	1	0,190	100	59x39x29	19,00	2000	120x80x165	405,00
FT-145 P LED 5907556013605		3-functional LED side marker, right, long, slanted rubber arm, 2x0.75 mm ² cable 0.3 m long.	1	0,190	100	59x39x29	19,00	2000	120x80x165	405,00



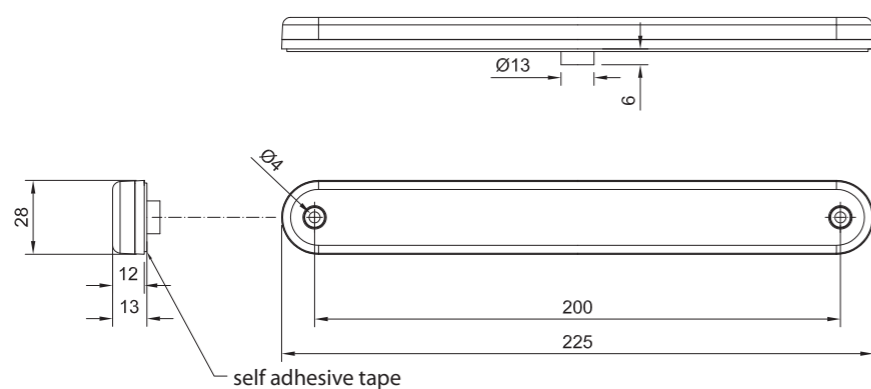
1-functional LED lamp
 - ElectroMagnetic Compatibility – EMC certificate
 - shock-resistance – PC lampshade
 - optional polarity connection
 - lamp is equipped with 2x075 mm² wire; 0.5 m length.
 - the vertical and horizontal assembly is possible by means of double-sided tape or/and two screws.

Lamp functions:
 - position front light (FT-195 B LED)
 - position rear light (FT-195 C LED)
 - position side light (FT-195 Z LED)
 - application: trailers; semi-trailers; special vehicles and others

Lamp parameters:
 Universal supply voltage: 12–36V DC
 Operating temperature: –40°C to +55°C
 Lamp is resistant to any weather conditions
 Lamp is fully airtight

Power consumption:
 - 12V/24V = 0.08A/0.08A (FT-195 B LED)
 - 12V/24V = 0.025A/0.025A (FT-195 C LED)
 - 12V/24V = 0.05A/0.05A (FT-195 Z LED)

Power consumption (rated power):
 - 12V/24V = 1W/2W (FT-195 B LED)
 - 12V/24V = 0.3W/0.6W (FT-195 C LED)
 - 12V/24V = 0.6W/1.2W (FT-195 Z LED)



SM LED

ID/EAN	Photo	Description	Unit pack		Multipack / carton			Multipack / pallet		
			qty.	kg	qty.	cm	kg	qty.	cm	kg
FT-195 B LED 5907556011267		LED clearance lamp 12–36V, white with self-adhesive tape and 0.5 m wire.	10	0.80	200	59x39x29	16.00	4000	120x80x165	345.00
FT-195 C LED 5907556011274		LED clearance lamp 12–36V, red with self-adhesive tape and 0.5 m wire.	10	0.80	200	59x39x29	16.00	4000	120x80x165	345.00
FT-195 Z LED 5907556011281		LED clearance lamp 12–36V, yellow with self-adhesive tape and 0.5 m wire.	10	0.80	200	59x39x29	16.00	4000	120x80x165	345.00



2-functional LED clearance lamp with a reflector
 European E9 homologation
 Shock-resistance – PC lampshade
Three power cords:
 Ground – white, clearance lamp function – black, indicator lamp function – yellow
 When the indicator light function works, the side clearance light function is switched off.

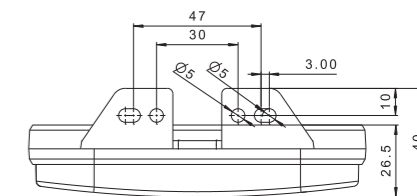
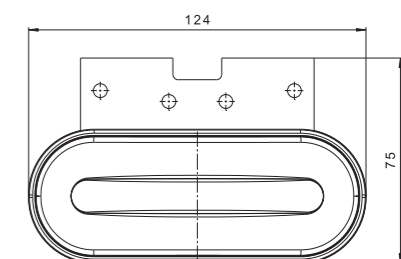
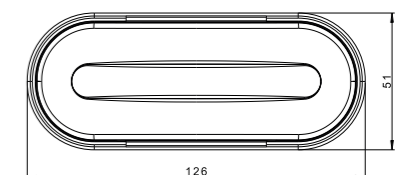
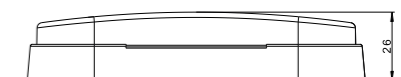
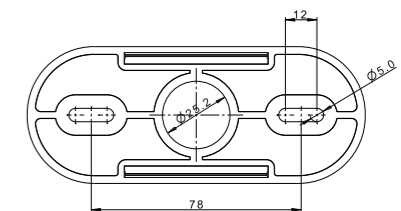
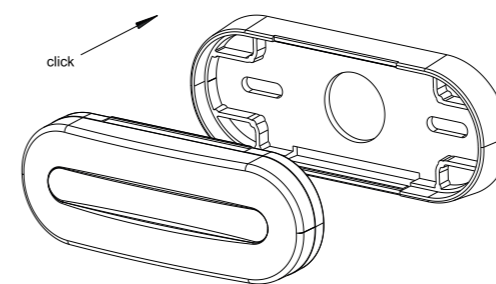
NEW TECHNOLOGICAL SOLUTIONS
 IMPROVED AIRTIGHTNES OF ELECTRONIC MODULE
 INNOVATIVE ASSEMBLY „CLICK-ON“
 HIGH LEVEL OF LIGHT EMISSION
 TIMELESS DESIGN
 ASSEMBLY SCREWS ARE NOT VISIBLE

Lamp functions:
 - side clearance light
 - indicator light CAT. 5
 - side reflector function

Technical specification:
 - supply voltage: 12–36V DC
 - operating temperature: –40°C to +55°C
 - lamp is resistant to any weather conditions
 - lamp is fully airtight

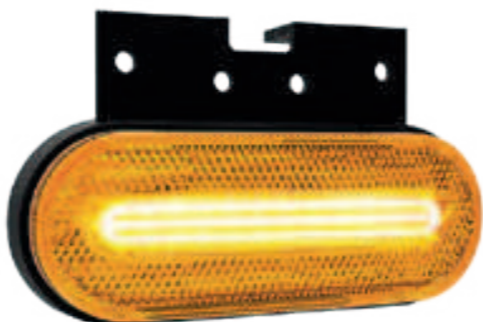
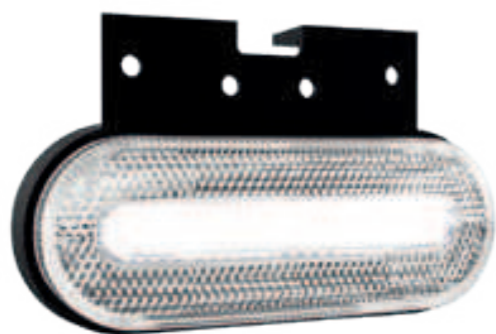
Power consumption:
 - Clearance light 12V/24V=0.08A/0.08A
 - Indicator light 12V/24V = 0.08A/0.08A

Power consumption / Rated power:
 - 12V/24V = 1.0W/2.0W



SM LED

ID/EAN	Photo	Description	Unit pack		Multipack / carton			Multipack / pallet		
			qty.	kg	qty.	cm	kg	qty.	cm	kg
FT-071 + K LED 5907556011878		Clearance lamp with cat. 5 indicator function, 12–36V, yellow with reflector, an angle holder and 0.5m cable.	10	1.08	200	59x39x29	21.6	4000	120x80x165	457.00
FT-071 LED 5907556011830		Clearance lamp with cat. 5 indicator function, 12–36V, yellow with reflector and wiring loom.	10	1.02	200	59x39x29	20.4	4000	120x80x165	433.00



1-functional LED clearance lamp with a reflector
 - european E9 homologation
 - ElectroMagnetic Compatibility – EMC certificate
 - shock-resistance – PC lampshade
 - optional polarity connection
 The lamp meets ADR requirements.

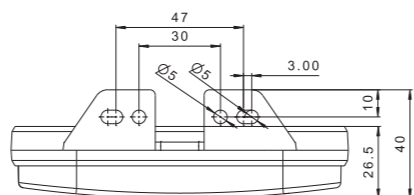
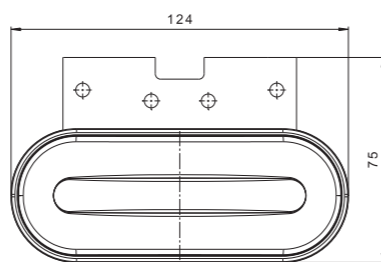
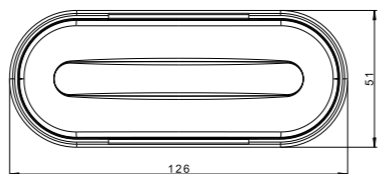
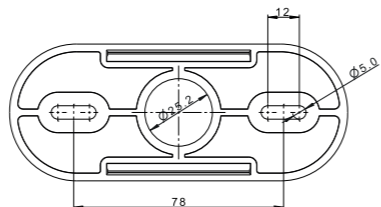
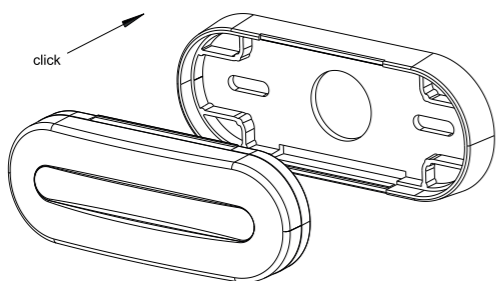
The unique lamp construction solution which increases air-tightness and the light and electronic components resistance to any external conditions. The revolutionary system of assembly – there are no visible signs of joining bodywork with lamp surface. The lamp is available in two versions and presents a revolutionary light emission system which goes along with an innovative design. This combination procures that with the highest probability our lamp is the most recognizable and eye-catching product on the market.

Lamp functions:
 rear clearance light with reflector
 front clearance light with reflector
 side clearance light with reflector

Technical specification:
 - supply voltage: 12–36V DC
 - operating temperature: –40°C to +55°C
 - lamp is resistant to any weather conditions
 - lamp is fully airtight

Power consumption:
 12V/24V=0.08A/0.08A

Power consumption / Rated power:
 12V/24V = 1.0W/2.0W



SM LED

ID/EAN	Photo	Description	Unit pack		Multipack / carton			Multipack / pallet		
			qty.	kg	qty.	cm	kg	qty.	cm	kg
FT-070 B LED 5907556011328		LED clearance lamp 12-36V, white with reflector and 0.5 m wire. The lamp meets ADR requirements.	10	1.00	200	59x39x29	20.00	4000	120x80x165	425.00
FT-070 B LED QS075 5907556011335		LED clearance lamp 12-36V, white with reflector and 0.5 m wire and QS075 connector. The lamp meets ADR requirements.	10	1.06	200	59x39x29	21.20	4000	120x80x165	449.00
FT-070 B LED QS150 5907556011342		LED clearance lamp 12-36V, white with reflector and 0.5 m wire and QS150 connector. The lamp meets ADR requirements.	10	1.10	200	59x39x29	22.00	4000	120x80x165	465.00
FT-070 B+K LED 5907556011359		LED clearance lamp 12-36V, white with reflector, holder and 0.5 m wire. The lamp meets ADR requirements.	10	1.06	200	59x39x29	21.20	4000	120x80x165	449.00
FT-070 B+K LED QS075 5907556011366		LED clearance lamp 12-36V, white with reflector, holder and 0.5 m wire with QS075 connector. The lamp meets ADR requirements.	10	1.14	200	59x39x29	22.80	4000	120x80x165	481.00
FT-070 B+K LED QS150 5907556011373		LED clearance lamp 12-36V, white with reflector, holder and 0.5 m wire with QS150 connector. The lamp meets ADR requirements.	10	1.16	200	59x39x29	23.20	4000	120x80x165	489.00
FT-070 C LED 5907556011380		LED clearance lamp 12-36V, red with reflector and 0.5 m wire. The lamp meets ADR requirements.	10	1.00	200	59x39x29	20.00	4000	120x80x165	425.00
FT-070 C LED QS075 5907556011397		LED clearance lamp 12-36V, red with reflector and 0.5 m wire and QS075 connector. The lamp meets ADR requirements.	10	1.06	200	59x39x29	21.20	4000	120x80x165	449.00
FT-070 C LED QS150 5907556011403		LED clearance lamp 12-36V, red with reflector and 0.5 m wire and QS150 connector. The lamp meets ADR requirements.	10	1.10	200	59x39x29	22.00	4000	120x80x165	465.00
FT-070 C+K LED 5907556011410		LED clearance lamp 12-36V, red with reflector, holder and 0.5 m wire. The lamp meets ADR requirements.	10	1.06	200	59x39x29	21.20	4000	120x80x165	449.00
FT-070 C+K LED QS075 5907556011427		LED clearance lamp 12-36V, red with reflector, holder and 0.5 m wire with QS075 connector. The lamp meets ADR requirements.	10	1.14	200	59x39x29	22.80	4000	120x80x165	481.00
FT-070 C+K LED QS150 5907556011434		LED clearance lamp 12-36V, red with reflector, holder and 0.5 m wire with QS150 connector. The lamp meets ADR requirements.	10	1.16	200	59x39x29	23.20	4000	120x80x165	489.00
FT-070 Z LED 5907556011441		LED clearance lamp 12-36V, yellow with reflector and 0.5 m wire. The lamp meets ADR requirements.	10	1.00	200	59x39x29	20.00	4000	120x80x165	425.00
FT-070 Z LED QS075 5907556011458		LED clearance lamp 12-36V, yellow with reflector and 0.5 m wire and QS075 connector. The lamp meets ADR requirements.	10	1.06	200	59x39x29	21.20	4000	120x80x165	449.00
FT-070 Z LED QS150 5907556011465		LED clearance lamp 12-36V, yellow with reflector and 0.5 m wire and QS150 connector. The lamp meets ADR requirements.	10	1.10	200	59x39x29	22.00	4000	120x80x165	465.00
FT-070 Z+K LED 5907556011472		LED clearance lamp 12-36V, yellow with reflector, holder and 0.5 m wire. The lamp meets ADR requirements.	10	1.06	200	59x39x29	21.20	4000	120x80x165	449.00
FT-070 Z+K LED QS075 5907556011489		LED clearance lamp 12-36V, yellow with reflector, holder and 0.5 m wire with QS075 connector. The lamp meets ADR requirements.	10	1.14	200	59x39x29	22.80	4000	120x80x165	481.00
FT-070 Z+K LED QS150 5907556011496		LED clearance lamp 12-36V, yellow with reflector, holder and 0.5 m wire with QS150 connector. The lamp meets ADR requirements.	10	1.16	200	59x39x29	23.20	4000	120x80x165	489.00



1-functional LED clearance lamp with a reflector.
European E9 homologation
ElectroMagnetic Compatibility – EMC certificate
Optional polarity connection

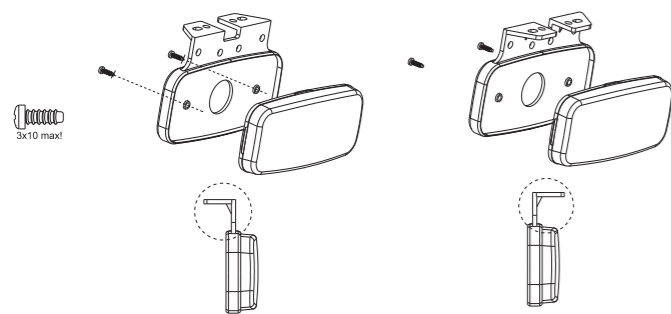
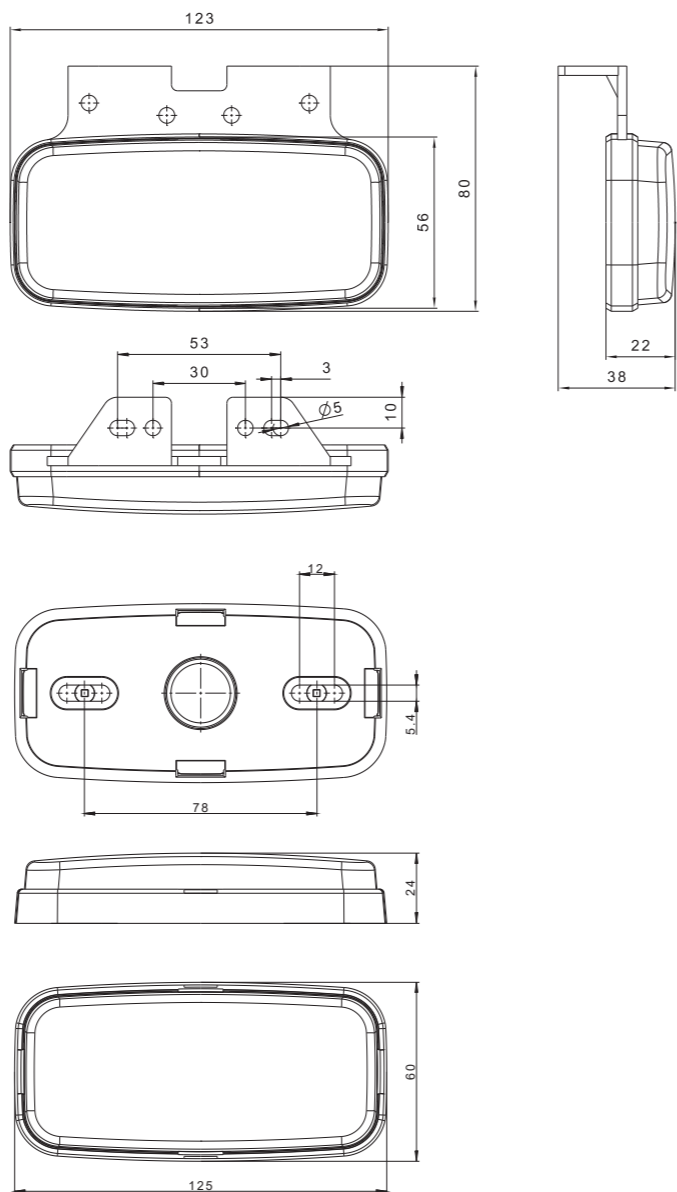
ASSEMBLY SCREWS ARE NOT VISIBLE
TIMELESS DESIGN
INNOVATIVE ASSEMBLY „CLICK-ON“
HIGH LEVEL OF LIGHT EMISSION
2-FUNCTIONAL ANGLE HOLDER

Lamp functions:
- rear clearance light with reflector
- front clearance light with reflector
- side clearance light with reflector

Technical specification:
- supply voltage: 12–36V DC
- operating temperature: –40°C to +55°C
- lamp is resistant to any weather conditions
- lamp is fully airtight

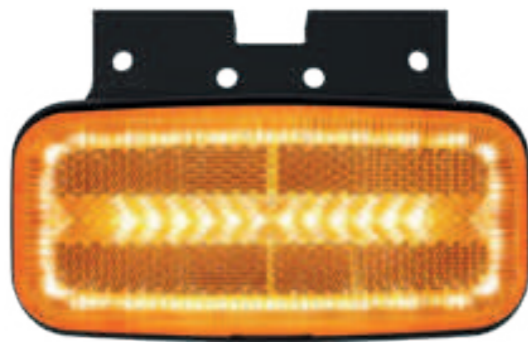
Power consumption:
12V/24V=0.08A/0.08A

Power consumption / Rated power:
12V/24V = 1.0W/2.0W



SM LED

ID/EAN	Photo	Description	Unit pack		Multipack / carton			Multipack / pallet		
			qty.	kg	qty.	cm	kg	qty.	cm	kg
FT-075 B LED 5907556011984		Clearance lamp 12-36V, white with reflector and wiring loom.	10	1.06	200	59x39x29	21.20	4000	120x80x165	449.00
FT-075 B LED QS075 5907556011991		Clearance lamp 12-36V, white with reflector, wiring loom dl. 0.5 m and connector QS075.	10	1.12	200	59x39x29	22.40	4000	120x80x165	473.00
FT-075 B LED QS150 5907556012004		Clearance lamp 12-36V, white with reflector, wiring loom dl. 0.5 m and connector QS150.	10	1.16	200	59x39x29	23.20	4000	120x80x165	489.00
FT-075 B+K LED 5907556012011		Clearance lamp 12-36V, white with reflector angle holder and wiring loom.	10	1.08	200	59x39x29	21.60	4000	120x80x165	457.00
FT-075 B+K LED QS075 5907556012028		Clearance lamp 12-36V, white with reflector, angle holder, wiring loom and connector QS075.	10	1.14	200	59x39x29	22.80	4000	120x80x165	481.00
FT-075 B+K LED QS150 5907556012035		Clearance lamp 12-36V, white with reflector, angle holder, wiring loom and connector QS150.	10	1.18	200	59x39x29	23.60	4000	120x80x165	497.00
FT-075 C LED 5907556012042		Clearance lamp 12-36V, red with reflector and wiring loom.	10	1.06	200	59x39x29	21.20	4000	120x80x165	449.00
FT-075 C LED QS075 5907556012059		Clearance lamp 12-36V, red with reflector, wiring loom dl. 0.5 m and connector QS075.	10	1.12	200	59x39x29	22.40	4000	120x80x165	473.00
FT-075 C LED QS150 5907556012066		Clearance lamp 12-36V, red with reflector, wiring loom dl. 0.5 m and connector QS150.	10	1.16	200	59x39x29	23.20	4000	120x80x165	489.00
FT-075 C+K LED 5907556012073		Clearance lamp 12-36V, red with reflector, angle holder and wiring loom.	10	1.08	200	59x39x29	21.60	4000	120x80x165	457.00
FT-075 C+K LED QS075 5907556012080		Clearance lamp 12-36V, red with reflector, angle holder, wiring loom and connector QS075.	10	1.14	200	59x39x29	22.80	4000	120x80x165	481.00
FT-075 C+K LED QS150 5907556012097		Clearance lamp 12-36V, red with reflector, angle holder, wiring loom and connector QS150.	10	1.18	200	59x39x29	23.60	4000	120x80x165	497.00
FT-075 Z LED 5907556012103		Clearance lamp 12-36V, yellow with reflector and wiring loom.	10	1.06	200	59x39x29	21.20	4000	120x80x165	449.00
FT-075 Z LED QS075 5907556012110		Clearance lamp 12-36V, yellow with reflector, wiring loom dl. 0.5 m and connector QS075.	10	1.12	200	59x39x29	22.40	4000	120x80x165	473.00
FT-075 Z LED QS150 5907556012127		Clearance lamp 12-36V, yellow with reflector, wiring loom dl. 0.5 m and connector QS150.	10	1.16	200	59x39x29	23.20	4000	120x80x165	489.00
FT-075 Z+K LED 5907556012134		Clearance lamp 12-36V, yellow with reflector, angle holder and wiring loom.	10	1.08	200	59x39x29	21.60	4000	120x80x165	457.00
FT-075 Z+K LED QS075 5907556012141		Clearance lamp 12-36V, yellow with reflector, angle holder, wiring loom and connector QS075.	10	1.14	200	59x39x29	22.80	4000	120x80x165	481.00
FT-075 Z+K LED QS150 5907556012158		Clearance lamp 12-36V, yellow with reflector, angle holder, wiring loom and connector QS150.	10	1.18	200	59x39x29	23.60	4000	120x80x165	497.00



2-functional LED clearance lamp with a reflector

- european E9 homologation
- shock-resistance – PC lampshade
- Three power cords:

Ground – white, clearance lamp function – black, indicator lamp function – yellow
When the indicator light function works, the side clearance light function is switched on.

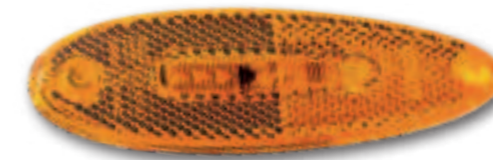
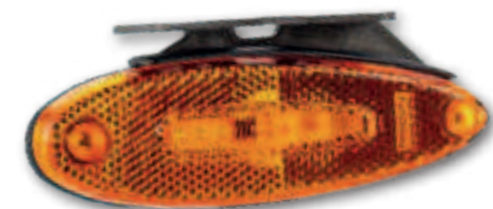
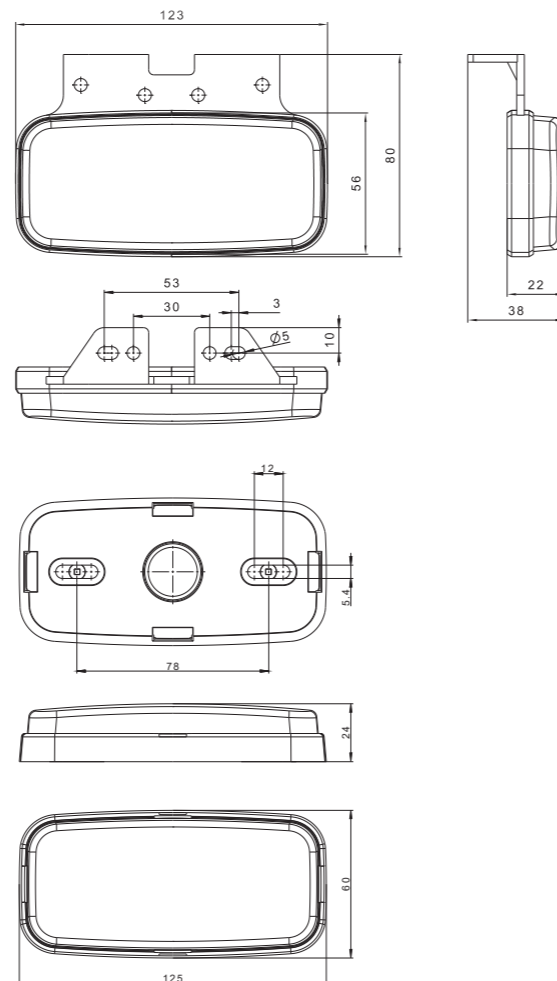
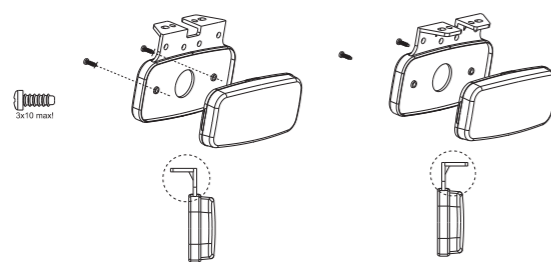
ASSEMBLY SCREWS ARE NOT VISIBLE
INNOVATIVE ASSEMBLY „CLICK-ON“
HIGH LEVEL OF LIGHT EMISSION
TIMELESS DESIGN
UNIVERSAL ANGLE HOLDER

Lamp functions:
- side clearance light
- indicator light cat. 5
- side reflector

Technical specification:
- supply voltage: 12–36V DC
- operating temperature: –40°C to +55°C
- lamp is resistant to any weather conditions
- lamp is fully airtight

Power consumption:
- clearance light: 12V/24V = 0.08A/0.08A
- indicator: 12V/24V = 0.08A/0.08A
Functions may work equally.

Power consumption / Rated power:
- clearance light: 12V/24V = 1.0W/2.0W
- indicator: 12V/24V = 1.0W/2.0W



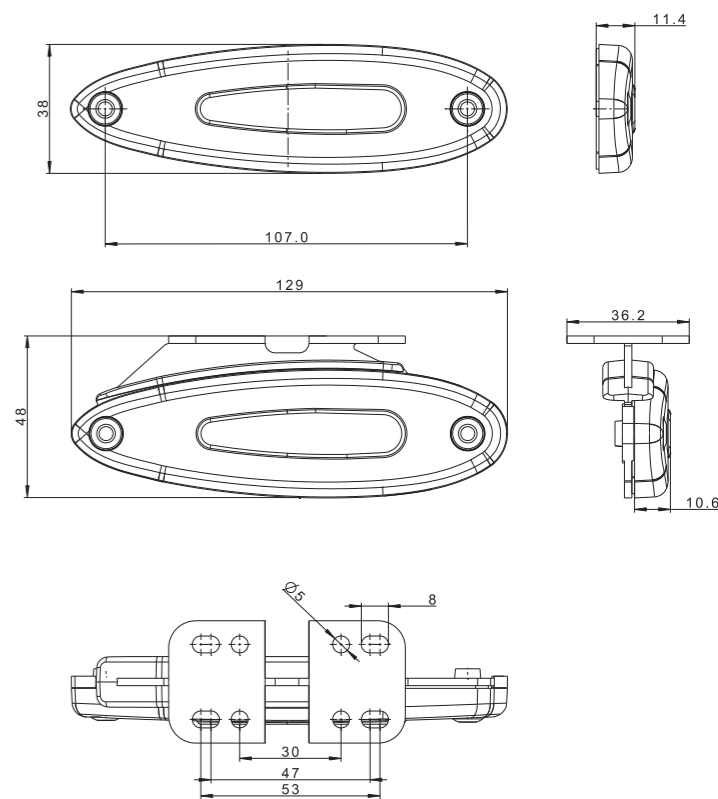
1-functional LED clearance lamp with reflector.
European E9 homologation; Reg 10
ElectroMagnetic Compatibility – EMC certificate
Reinforced construction
Optional polarity connection

Lamp functions:
- Depending from the light color:
• front clearance light – white color
• side clearance light – yellow color

Lamp assembly (E9 homologation):
- white front position light – vertical and horizontal
- yellow side position light – horizontal

Technical specification:
- supply voltage: 12–36V DC
- operating temperature: –40°C to +55°C
- lamp is resistant to any weather conditions
- lamp is fully airtight

Power consumption:
- 12V/24V = 0.02A/0.02A
Power consumption / Rated power:
- 12V/24V = 0.25W/0.5W



SM LED

ID/EAN	Photo	Description	Unit pack		Multipack / carton			Multipack / pallet		
			qty.	kg	qty.	cm	kg	qty.	cm	kg
FT-080 + K LED 5907556012165		FT-080+K LED Clearance lamp with cat. 5 indicator function, 12-36V, yellow with reflector, angle holder and wiring loom.	10	1.08	200	59x39x29	21.60	4000	120x80x165	457.00
FT-080 LED 5907556012172		FT-080 LED Clearance lamp with cat. 5 indicator function, 12-36V, yellow with reflector and wiring loom.	10	1.06	200	59x39x29	21.20	4000	120x80x165	449.00

SM LED

ID/EAN	Photo	Description	Unit pack		Multipack / carton			Multipack / pallet		
			qty.	kg	qty.	cm	kg	qty.	cm	kg
FT-076 B LED 5907556013896		Clearance Lamp LED 12-36V, white with reflector and a loom.	10	0.050	250	59x39x29	12.50	5000	120x80x165	275.00
FT-076 Z LED 5907556013902		Clearance Lamp LED 12-36V, white with reflector, with self-adhesive tape and a loom.	10	0.050	250	59x39x29	12.50	5000	120x80x165	275.00
FT-076 Z+K LED 5907556013773		Clearance Lamp LED 12-36V, yellow with reflector, angle holder and a loom.	10	0.068	200	59x39x29	13.60	4000	120x80x165	297.00



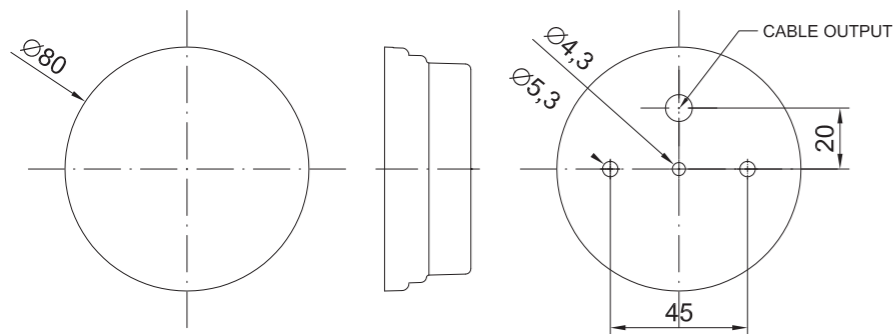
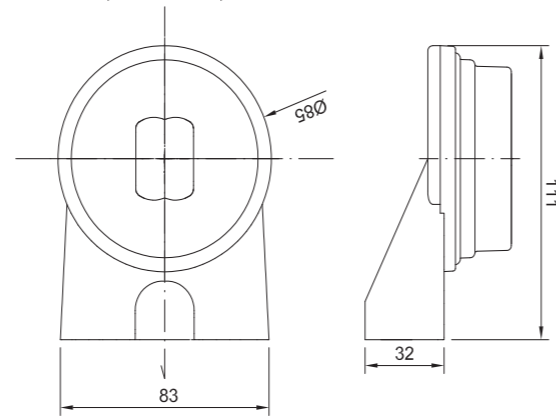
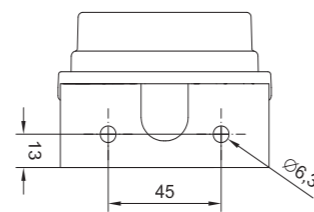
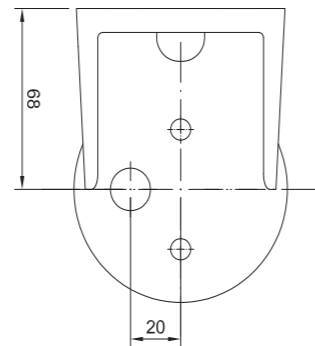
1-functional LED clearance lamp with a reflector.
 European E9 homologation
 ElectroMagnetic Compatibility – EMC certificate
 Shock-resistance – PC lampshade
 Optional polarity connection

Lamp functions:
 - rear clearance light with reflector
 - front clearance light with reflector
 - side clearance light with reflector

Technical specification:
 - supply voltage: 12–36V DC
 - operating temperature: –40°C to +55°C
 - lamp is resistant to any weather conditions
 - lamp is fully airtight

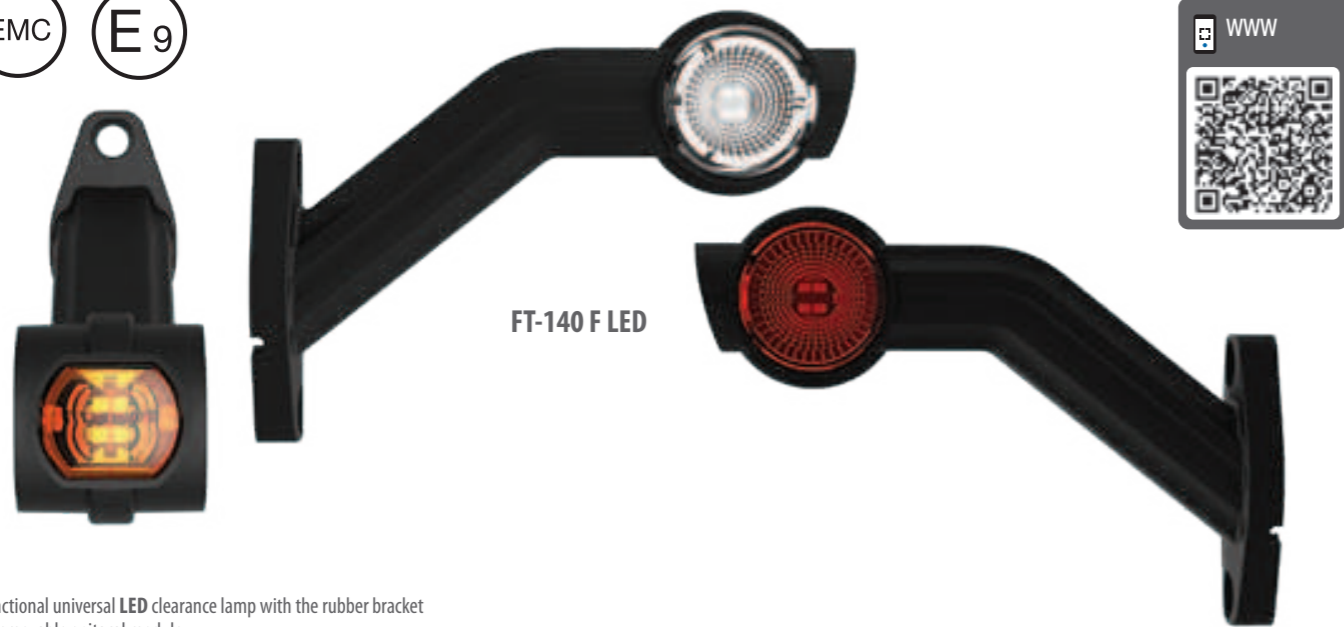
Power consumption:
 - white or yellow light 12V/24V = 0.04A/0.04A
 - red light 12V/24V = 0.03A/0.03A

Rated power:
 - white or yellow light 12V/24V = 0.5W/1W
 - red light 12V/24V = 0.4W/0.8W



SM LED

ID/EAN	Photo	Description	Unit pack		Multipack / carton			Multipack / pallet		
			qty.	kg	qty.	cm	kg	qty.	cm	kg
FT-060 B LED 5907556009875		White LED clearance lamp 12-30 V with reflector and wire harness.	2	0.170	250	59x39x29	21.25	5000	120x80x165	450.00
FT-060 C LED 5907556009905		Red LED clearance lamp 12-30 V with reflector and wire harness.	2	0.170	250	59x39x29	21.25	5000	120x80x165	450.00
FT-060 L B+K LED 5907556009851		White LED clearance lamp 12-30V, left with reflector, mounting holder and wire harness	1	0.150	120	59x39x29	18.00	2400	120x80x165	385.00
FT-060 L C+K LED 5907556009882		Red LED clearance lamp 12-30 V, left with reflector, mounting holder and wire harness.	1	0.150	120	59x39x29	18.00	2400	120x80x165	385.00
FT-060 P B+K LED 5907556009868		White LED clearance lamp 12-30 V, right with reflector, mounting holder and wire harness.	1	0.150	120	59x39x29	18.00	2400	120x80x165	385.00
FT-060 P C+K LED 5907556009899		Red LED clearance lamp 12-30 V, right with reflector, mounting holder and wire harness.	1	0.150	120	59x39x29	18.00	2400	120x80x165	385.00
FT-060 Z LED 5907556009929		Yellow LED clearance lamp 12-30V with reflector and wire harness.	2	0.170	250	59x39x29	21.25	5000	120x80x165	450.00
FT-060 Z+K LED 5907556009912		Yellow LED clearance lamp 12-30V with reflector, mounting holder and wire harness.	1	0.150	120	59x39x29	18.00	2400	120x80x165	385.00
KAT FT-060 5907556009974		Angle holder for FT-060 LED clearance lamps.	2	0.126						



FT-140 F LED

3-functional universal LED clearance lamp with the rubber bracket and removable optical module

- european E9 homologation
- ElectroMagnetic Compatibility – EMC certificate
- shock-resistance – PC lampshade
- optional polarity connection

Lamp functions:

- white clearance light
- red clearance light
- yellow clearance light

Technical specification:

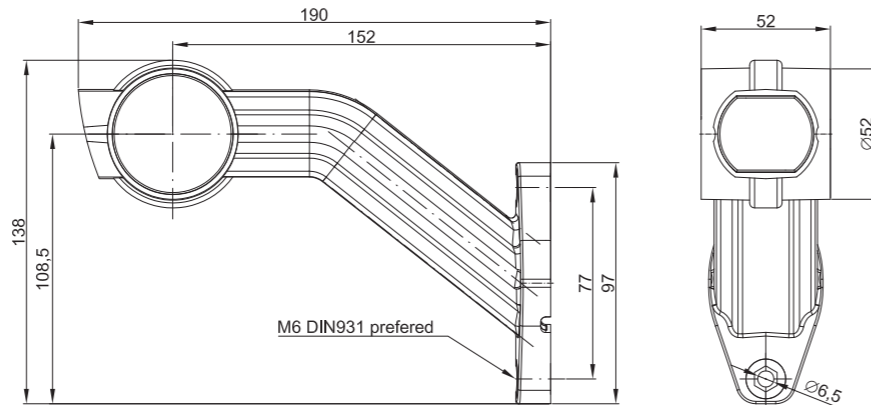
- supply voltage: 12–36V DC
- operating temperature: –40°C to +55°C
- lamp is resistant to any weather conditions
- lamp is fully airtight

Power consumption:

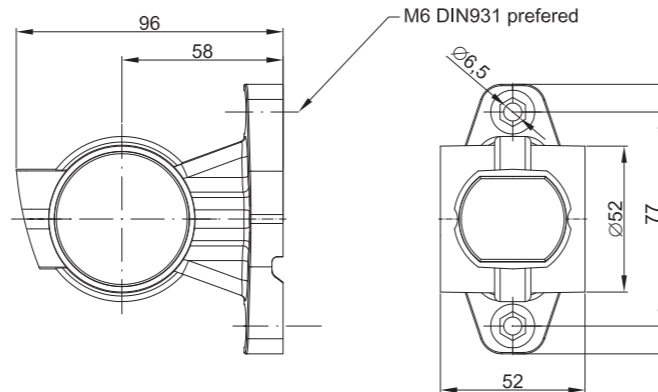
- 12V/24V = 0.1A/0.1A

Power consumption / Rated power:

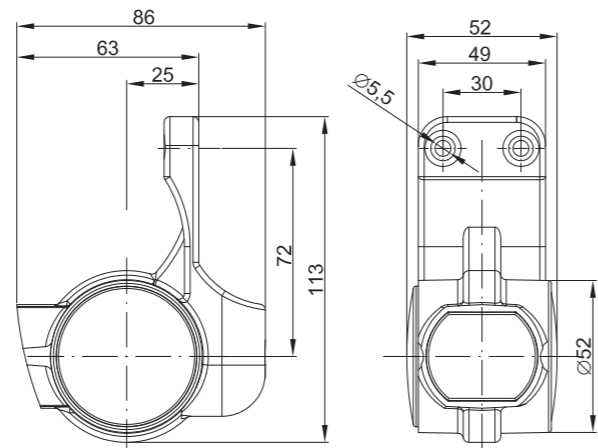
- 12V/24V = 1.2W/2.4W



FT-140 A LED



FT-140 W LED



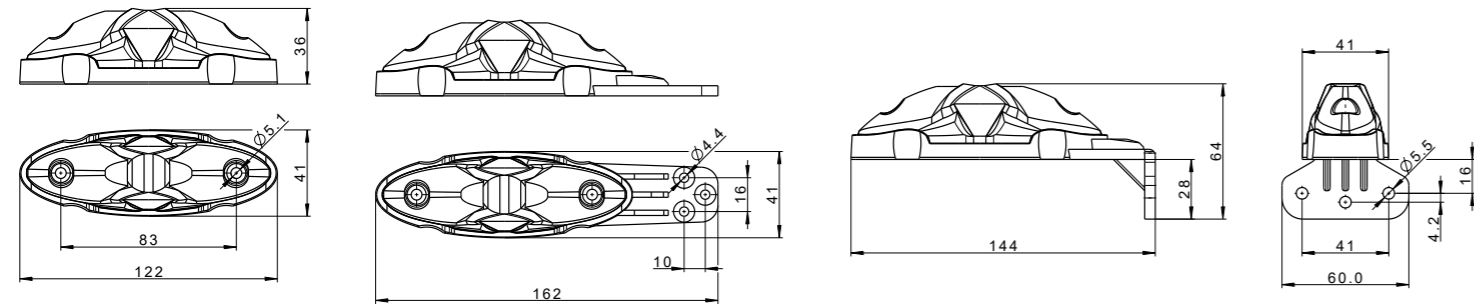
ID/EAN	Photo	Description	Unit pack		Multipack / carton			Multipack / pallet		
			qty.	kg	qty.	cm	kg	qty.	cm	kg
FT-140 A L LED 5907556008403		3-functional LED side marker, left, short straight rubber bracket, 2x0.75 mm ² cable 0.5 m long.	1	0.14	140	59x39x29	19.60	2800	120x80x165	417.00
FT-140 A L LED *QS075 5907556008632		3-functional LED side marker, left, short straight rubber bracket, 2x0.75 mm ² cable 0.5 m long with QS075 connector.	1	0.19	140	59x39x29	26.60	2800	120x80x165	557.00
FT-140 A L LED *QS150 5907556008595		3-functional LED side marker, left, short straight rubber bracket, 2x0.75 mm ² cable 0.5 m long with QS150 connector.	1	0.19	140	59x39x29	26.60	2800	120x80x165	557.00
FT-140 A P LED 5907556008410		3-functional LED side marker, right, short straight rubber bracket, 2x0.75 mm ² cable 0.5 m long.	1	0.14	140	59x39x29	19.60	2800	120x80x165	417.00
FT-140 A P LED *QS075 5907556008625		3-functional LED side marker, right, short straight rubber bracket, 2x0.75 mm ² cable 0.5 m long with QS075 connector.	1	0.19	140	59x39x29	26.60	2800	120x80x165	557.00
FT-140 A P LED *QS150 5907556008588		3-functional LED side marker, right, short straight rubber bracket, 2x0.75 mm ² cable 0.5 m long with QS150 connector.	1	0.19	140	59x39x29	26.60	2800	120x80x165	557.00
FT-140 F L LED 5907556008427		3-functional LED side marker, left, long, slanted rubber arm, 2x0.75 mm ² cable 0.5 m long.	1	0.22	80	59x39x29	17.60	1600	120x80x165	377.00
FT-140 F L LED *QS075 5907556008649		3-functional LED side marker, left, long, slanted rubber arm, 2x0.75 mm ² cable 0.5 m long with QS075 connector.	1	0.27	80	59x39x29	21.60	1600	120x80x165	457.00
FT-140 F L LED *QS150 5907556008601		3-functional LED side marker, left, long, slanted rubber arm, 2x0.75 mm ² cable 0.5 m long with QS150 connector.	1	0.27	80	59x39x29	21.60	1600	120x80x165	457.00
FT-140 F P LED 5907556008434		3-functional LED side marker, right, long, slanted rubber arm, 2x0.75 mm ² cable 0.5 m long.	1	0.22	80	59x39x29	17.60	1600	120x80x165	377.00
FT-140 F P LED *QS075 5907556008656		3-functional LED side marker, right, long, slanted rubber arm, 2x0.75 mm ² cable 0.5 m long with QS075 connector.	1	0.27	80	59x39x29	21.60	1600	120x80x165	457.00
FT-140 F P LED *QS150 5907556008618		3-functional LED side marker, right, long, slanted rubber arm, 2x0.75 mm ² cable 0.5 m long with QS150 connector.	1	0.27	80	59x39x29	21.60	1600	120x80x165	457.00
FT-140 W L LED 5907556008724		3-functional LED side marker, left, short rubber arm (hanging version), 2x0.75 mm ² cable 0.5 m long.	1	0.16	160	59x39x29	25.60	3200	20x80x165	537.00
FT-140 W L LED *QS075 5907556009066		3-functional LED side marker, left, short rubber arm (hanging version), 2x0.75 mm ² cable 0.5 m long with QS075 connector.	1	0.21	160	59x39x29	33.60	3200	20x80x165	697.00
FT-140 W L LED *QS150 5907556009042		3-functional LED side marker, left, short rubber arm (hanging version), 2x0.75 mm ² cable 0.5 m long with QS150 connector.	1	0.21	160	59x39x29	33.60	3200	20x80x165	697.00
FT-140 W P LED 5907556008731		3-functional LED side marker, right, short rubber arm (hanging version), 2x0.75 mm ² cable 0.5 m long.	1	0.16	160	59x39x29	25.60	3200	20x80x165	537.00
FT-140 W P LED *QS075 5907556009059		3-functional LED side marker, right, short rubber arm (hanging version), 2x0.75 mm ² cable 0.5 m long with QS075 connector.	1	0.21	160	59x39x29	33.60	3200	20x80x165	697.00
FT-140 W P LED *QS150 5907556009035		3-functional LED side marker, right, short rubber arm (hanging version), 2x0.75 mm ² cable 0.5 m long with QS150 connector.	1	0.21	160	59x39x29	33.60	3200	20x80x165	697.00

Omega holder is not included in the basic accessories of the lamp.

FT-038 CB LED

FT-038 CB I LED

FT-038 CB II LED



2-functional LED clearance lamp
 - european E9 homologation
 - ElectroMagnetic Compatibility – EMC certificate
 - shock-resistance – PC lampshade
 - optional polarity connection

Lamp functions:
 - white clearance light
 - red clearance light

Technical specification:
 - supply voltage: 12–36V DC
 - operating temperature: –40°C to +55°C
 - lamp is resistant to any weather conditions
 - lamp is fully airtight

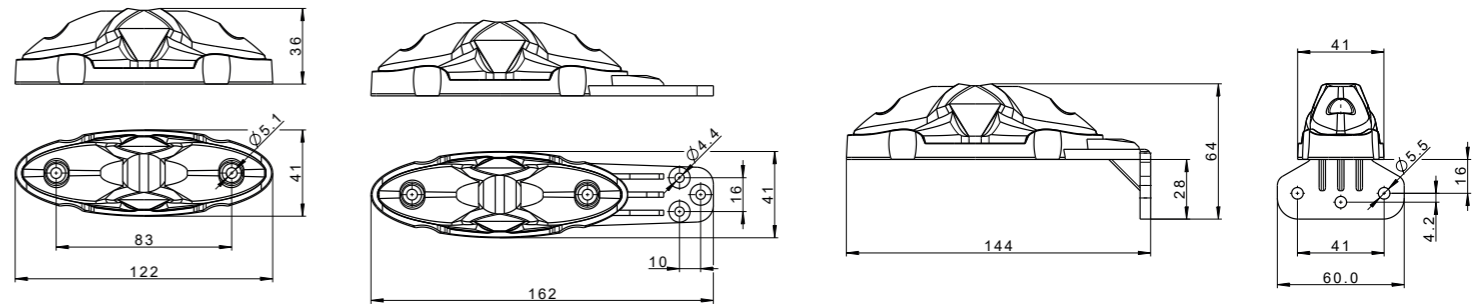
Power consumption / Rated power:
 - 12V=0.04A/0.5W
 - 24V=0.04A/1W



FT-038 LED

FT-038 I LED

FT-038 II LED



3-functional universal LED clearanc lamp
 - european E9 homologation
 - ElectroMagnetic Compatibility – EMC certificate
 - shock-resistance – PC lampshade
 - optional polarity connection

Lamp functions:
 - white clearance light
 - red clearance light
 - yellow clearance light

Technical specification:
 - supply voltage: 12–36V DC
 - operating temperature: –40°C to +55°C
 - lamp is resistant to any weather conditions
 - lamp is fully airtight

Power consumption / Rated power:
 - 12V=0.08A/1W
 - 24V=0.08A/2W

SM LED

ID/EAN	Photo	Description	Unit pack		Multipack / carton			Multipack / pallet		
			qty.	kg	qty.	cm	kg	qty.	cm	kg
FT-038 CB LED 5907556006522		LED clearance lamp, bifunctional, with a sidelight (front and tail).	2	0.15	250	59x39x29	18.75	5000	120x80x165	400.00
FT-038 CB I LED 5907556006553		LED clearance lamp, bifunctional, with a sidelight (front and tail), on an extended straight bracket.	2	0.15	200	59x39x29	15.00	4000	120x80x165	325.00
FT-038 CB II LED 5907556006584		LED clearance lamp, bifunctional, with a sidelight (front and tail), on an angle bracket.	2	0.15	200	59x39x29	15.00	4000	120x80x165	325.00

Omega holder is not included in the basic accessories of the lamp.

SM LED

ID/EAN	Photo	Description	Unit pack		Multipack / carton			Multipack / pallet		
			qty.	kg	qty.	cm	kg	qty.	cm	kg
FT-038 LED 5907556006430		LED clearance lamp, trifunctional, with a sidelight (front, tail and side), 0.5 m long cable.	2	0.15	250	59x39x29	18.75	5000	120x80x165	400.00
FT-038 LED *QS075 5907556006447		LED clearance lamp, trifunctional with a sidelight (front, tail and side), 0.5 m long cable with a QS075 type.	2	0.20	250	59x39x29	25.00	5000	120x80x165	525.00
FT-038 LED *QS150 5907556006454		LED clearance lamp, trifunctional with a sidelight (front, side and tail), 0.5 m long cable with a QS150 connector.	2	0.20	250	59x39x29	25.00	5000	120x80x165	525.00
FT-038 I LED 5907556006461		LED clearance lamp, trifunctional with a sidelight (front, side and tail), on an extended straight bracket, 0.5 m long cable.	2	0.15	200	59x39x29	15.00	4000	120x80x165	325.00
FT-038 II LED 5907556006492		LED clearance lamp, trifunctional with a sidelight (front, side and tail), on an angle bracket, 0.5 m long cable.	2	0.20	200	59x39x29	20.00	4000	120x80x165	425.00

Omega holder is not included in the basic accessories of the lamp.

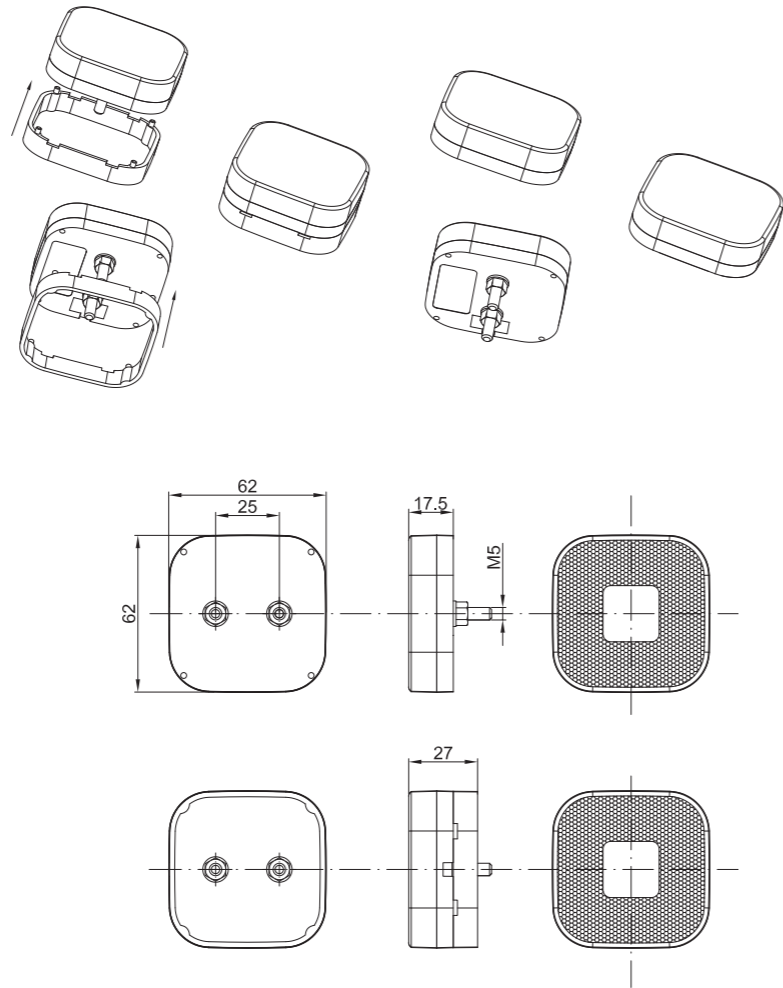


1-functional LED clearance lamp with a reflector
 - european E9 homologation
 - ElectroMagnetic Compatibility – EMC certificate
 - shock-resistance – PC lampshade
 - optional polarity connection
 - integrated 2x0.75 mm² cable

Lamp functions:
 - clearance light

Technical specification:
 - supply voltage: 12–36V DC
 - operating temperature: –40°C to +55°C
 - lamp is resistant to any weather conditions
 - lamp is fully airtight

Power consumption / Rated power:
 - white or yellow clearance light:
 12V= 0.04A/0.5W/24V=0.04A/1W
 - red clearance light:
 12V=0.03A/0.4W/24V=0.03A/0.8W

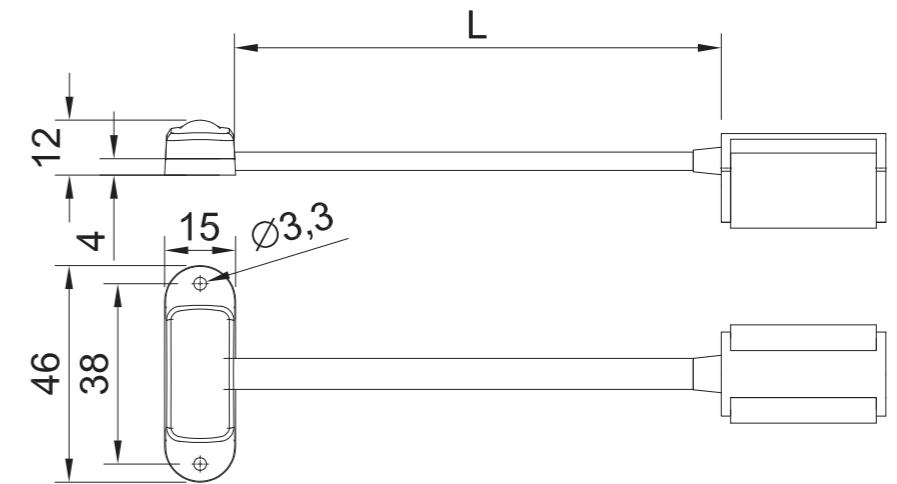


1-functional LED lamp
 ElectroMagnetic Compatibility (EMC) homologation
 shock-resistance – PC lampshade
 Optional polarity connection
 Lamp is equipped with the hermetic QS junction:
QS-150 FRISTOM

Lamp parameters:
 - supply voltage – from 12V up to 15V DC
 - Operating temperature: –40°C to +55°C
 - effective (measured) light beam = 80 lm
 - lamp is resistant to any weather conditions
 - lamp is fully airtight

Power consumption:
 - 12V = 0.065A

Power consumption (rated power):
 - 12V = 1W



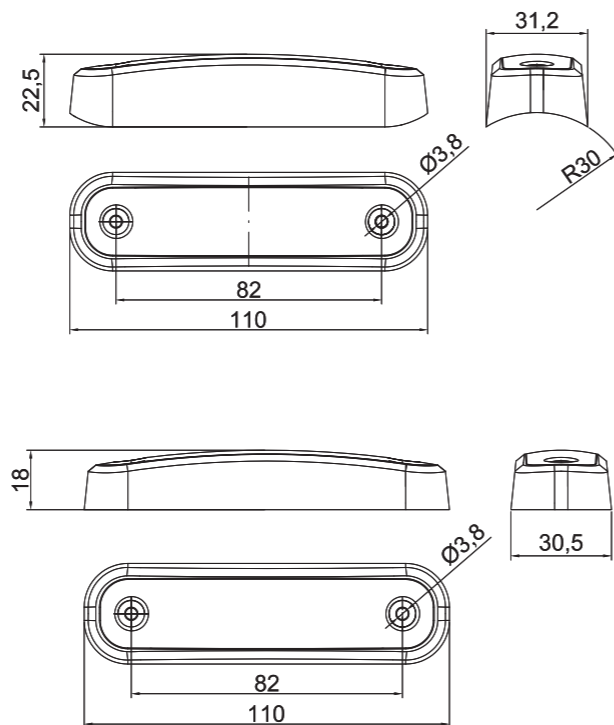
CAT SM LED

ID/EAN	Photo	Description	Unit pack		Multipack / carton			Multipack / pallet		
			qty.	kg	qty.	cm	kg	qty.	cm	kg
FT-027 B LED 5907556004948		White LED clearance lamp with a cable.	10	0.70	200	59x39x29	14.00	4000	120x80x165	305.00
FT-027 Z LED 5907556004962		Yellow LED clearance lamp with a cable.	10	0.70	200	59x39x29	14.00	4000	120x80x165	305.00
FT-027 C LED 5907556004955		Red LED clearance lamp with a cable.	0	0.70	200	59x39x29	14.00	4000	120x80x165	305.00

Omega holder is not included in the basic accessories of the lamp.

SM LED

ID/EAN	Photo	Description	Unit pack		Multipack / carton			Multipack / pallet		
			qty.	kg	qty.	cm	kg	qty.	cm	kg
FT-090 B LED QS150 M02 5907556010215		LED clearance lamp 12V, white, with 0.2 m cable and QS150 connector.	1	0.026	450	59x39x29	11.70	9000	120x80x165	259.00
FT-090 C LED QS150 M02 5907556010352		LED clearance lamp 12V, red, with 0.2 m cable and QS150 connector.	1	0.026	450	59x39x29	11.70	9000	120x80x165	259.00



- 1-functional LED clearance lamp.
- european E9 homologation for (white, red and yellow light)
 - ElectroMagnetic Compatibility – EMC certificate
 - shock-resistance – PC lampshade
 - optional polarity connection

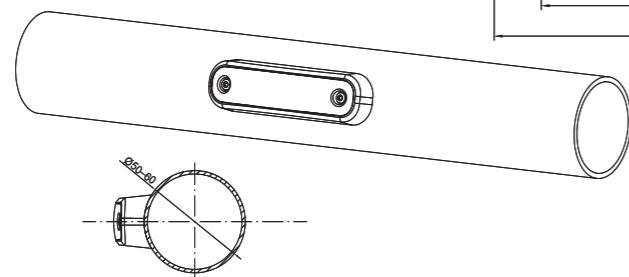
In a standard version the lamps are applied to be mounted on the flat surfaces. Optionally the installation at the grille saver bull bars, bumper guards and body armors can be carried out by using a transparent FT-045 PG T rubber gasket that is not included in a standard version of the product.

- Lamp functions:**
- clearance light (white, yellow and red)
 - decorative light (blue and green)

- Technical specification:**
- supply voltage: 12–36V DC
 - operating temperature: –40°C to +55°C
 - lamp is resistant to any weather conditions
 - lamp is fully airtight

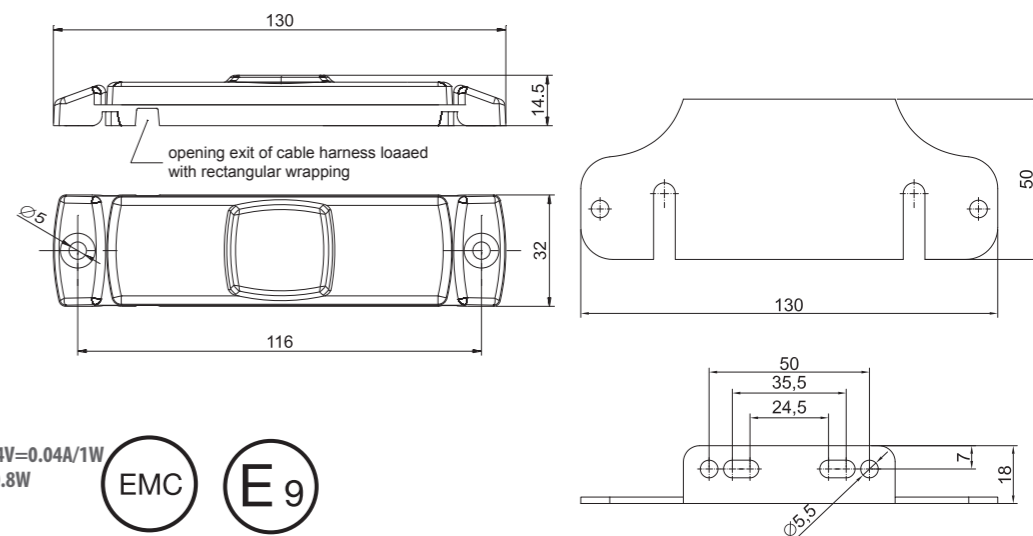
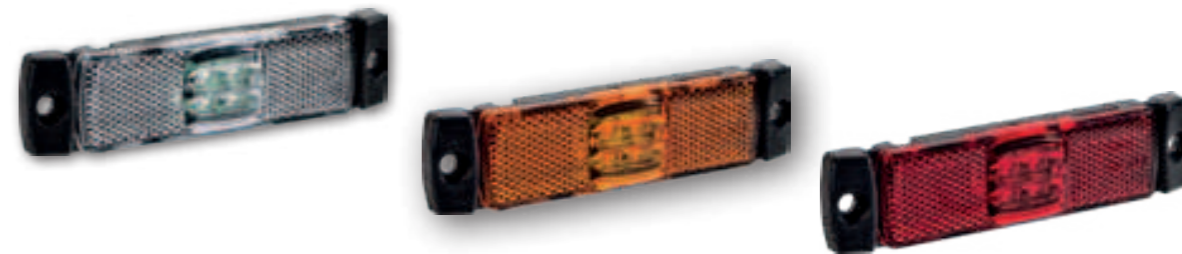
- Power consumption:**
- clearance light: 12V/24V = 0.08A/0.08A

- Power consumption / Rated power:**
- clearance light: 12V/24V = 1W/2W



SM LED

ID/EAN	Photo	Description	Unit pack		Multipack / carton			Multipack / pallet		
			qty.	kg	qty.	cm	kg	qty.	cm	kg
FT-045 Z LED 5907556008342		Clearance marker LED lamp, yellow, 2x0.75 mm ² cable (0.5 m).	10	0.0588	400	59x39x29	23.52	8000	120x80x165	495.40
FT-045 C LED 5907556008335		Clearance marker LED lamp, red, 2x0.75 mm ² cable (0.5 m).	10	0.0588	400	59x39x29	23.52	8000	120x80x165	495.40
FT-045 B LED 5907556008328		Clearance marker LED lamp, white, 2x0.75 mm ² cable (0.5 m).	10	0.0588	400	59x39x29	23.52	8000	120x80x165	495.40
FT-045 ZIEL LED 5907556008373		Decorative LED lamp, green, 2x0.75mm ² cable (0.5m).	10	0.0588	400	59x39x29	23.52	8000	120x80x165	495.40
FT-045 N LED 5907556008366		Decorative LED lamp, blue, 2x0.75 mm ² cable (0.5 m).	10	0.0588	400	59x39x29	23.52	8000	120x80x165	495.40
FT-045 PG T 5907556008359		Rubber gasket (transparent) for FT-045 LED mounted at grille saver bull bars, bumper guards and body armors.	10	0.22						



- 1-functional LED clearance lamp with a reflector
- european E9 homologation
 - ElectroMagnetic Compatibility – EMC certificate
 - shock-resistance – PC lampshade
 - optional polarity connection
 - integrated 2x0.75 mm² cable

- Lamp functions:**
- clearance light

- Technical specification:**
- supply voltage: 12–36V DC
 - operating temperature: –40°C to +55°C
 - lamp is resistant to any weather conditions
 - lamp is fully airtight

- Power consumption / Rated power:**
- white or yellow clearance light: 12V= 0.04A/0.5W/24V=0.04A/1W
 - red clearance light: 12V=0.03A/0.4W/24V=0.03A/0.8W



CAT SM LED

ID/EAN	Photo	Description	Unit pack		Multipack / carton			Multipack / pallet		
			qty.	kg	qty.	cm	kg	qty.	cm	kg
FT-017 B LED 5907556001725		White LED clearance lamp with a cable.	10	0.51	350	59x39x29	17.85	7000	120x80x165	382.00
FT-017 B LED *QS075 5907556004412		White LED clearance lamp with a cable and a QS075 connector.	10	0.56	400	59x39x29	22.40	8000	120x80x165	473.00
FT-017 B LED *QS150 5907556001732		White LED clearance lamp with a cable and a QS150 connector.	10	0.56	400	59x39x29	22.40	8000	120x80x165	473.00
FT-017 Z LED 5907556001763		Yellow LED clearance lamp with a cable.	10	0.51	350	59x39x29	17.85	7000	120x80x165	382.00
FT-017 Z LED *QS075 5907556004450		Yellow LED clearance lamp with a cable and a QS075 connector.	10	0.56	400	59x39x29	22.40	8000	120x80x165	473.00
FT-017 Z LED *QS150 5907556001817		Yellow LED clearance lamp with a cable and a QS150 connector.	10	0.56	400	59x39x29	22.40	8000	120x80x165	473.00
FT-017 C LED 5907556001800		Red LED clearance lamp with a cable.	10	0.51	350	59x39x29	17.85	7000	120x80x165	382.00
FT-017 C LED *QS075 5907556004436		Red LED clearance lamp with a cable and a QS075 connector.	10	0.56	400	59x39x29	22.40	8000	120x80x165	473.00
FT-017 C LED *QS150 5907556001770		Red LED clearance lamp with a cable and a QS150 connector.	10	0.56	400	59x39x29	22.40	8000	120x80x165	473.00
KAT FT-017/FT-018 5907556002678		Angle holder for FT-017 / FT-018 clearance lamps. Both sides mounting possibility.	10	0.20						

Omega holder is not included in the basic accessories of the lamp.



- 1-functional LED clearance lamp with a reflector
- european E9 homologation
- ElectroMagnetic Compatibility – EMC certificate
- shock-resistance – PC lampshade
- optional polarity connection
- integrated 2x0.75 mm² cable

Lamp functions:

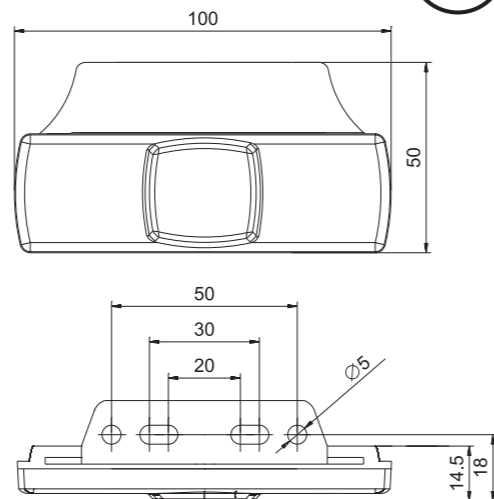
- clearance light

Technical specification:

- supply voltage: 12–36V DC
- operating temperature: –40°C to +55°C
- lamp is resistant to any weather conditions
- lamp is fully airtight

Power consumption / Rated power:

- white or yellow clearance light: 12V=0.04A/0.5W/24V=0.04A/1W
- red clearance light: 12V=0.03A/0.4W/24V=0.03A/0.8W



CAT SM LED

ID/EAN	Photo	Description	Unit pack		Multipack / carton			Multipack / pallet		
			qty.	kg	qty.	cm	kg	qty.	cm	kg
FT-017 B+K LED 5907556001749		White LED clearance lamp with an angle holder and a cable.	10	0.53	350	59x39x29	18.55	7000	120x80x165	396.00
FT-017 B+K LED *QS075 5907556004429		White LED clearance lamp with an angle holder, cable and a QS075 connector.	10	0.58	400	59x39x29	23.20	8000	120x80x165	489.00
FT-017 B+K LED *QS150 5907556001756		White LED clearance lamp with an angle holder, cable and a QS150 connector.	10	0.58	400	59x39x29	23.20	8000	120x80x165	489.00
FT-017 Z+K LED 5907556001787		Yellow LED clearance lamp with an angle holder and a cable.	10	0.53	350	59x39x29	18.55	7000	120x80x165	396.00
FT-017 Z+K LED *QS075 5907556004467		Yellow LED clearance lamp with an angle holder, cable and a QS075 connector.	10	0.58	400	59x39x29	23.20	8000	120x80x165	489.00
FT-017 Z+K LED *QS150 5907556001831		Yellow LED clearance lamp with an angle holder, cable and a QS150 connector.	10	0.58	400	59x39x29	23.20	8000	120x80x165	489.00
FT-017 C+K LED 5907556001824		Red LED clearance lamp with an angle holder and a cable.	10	0.53	350	59x39x29	18.55	7000	120x80x165	396.00
FT-017 C+K LED *QS075 5907556004443		Red LED clearance lamp with an angle holder, cable and a QS075 connector.	10	0.58	400	59x39x29	23.20	8000	120x80x165	489.00
FT-017 C+K LED *QS150 5907556001794		Red LED clearance lamp with an angle holder, cable and a QS150 connector.	10	0.58	400	59x39x29	23.20	8000	120x80x165	489.00

Omega holder is not included in the basic accessories of the lamp.



- 1-functional LED clearance lamp with a reflector
- european E9 homologation
- ElectroMagnetic Compatibility – EMC certificate
- shock-resistance – PC lampshade
- optional polarity connection
- integrated 2x0.75 mm² cable

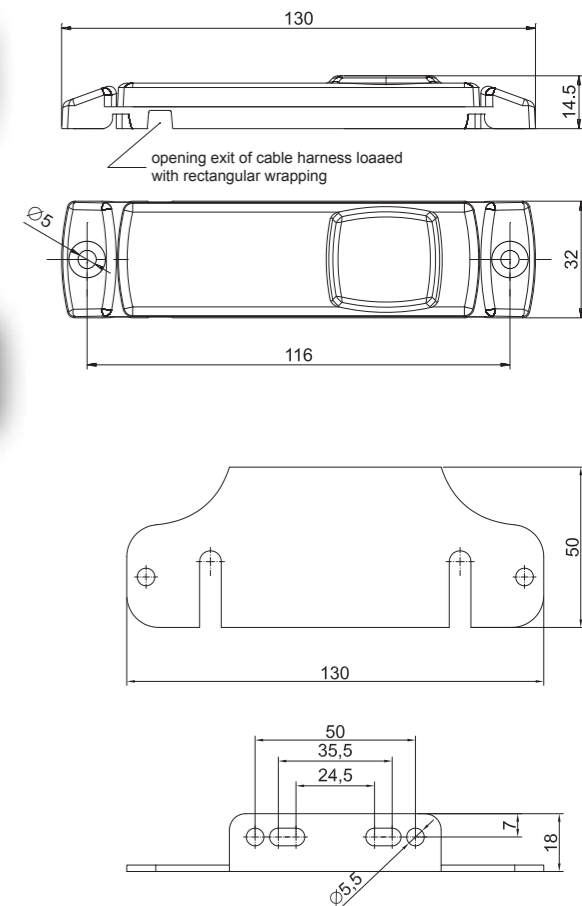
Lamp functions:

- clearance light

Technical specification:

- supply voltage: 12–36V DC
- operating temperature: –40°C to +55°C
- lamp is resistant to any weather conditions
- lamp is fully airtight

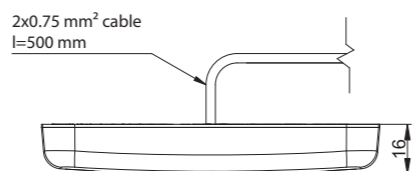
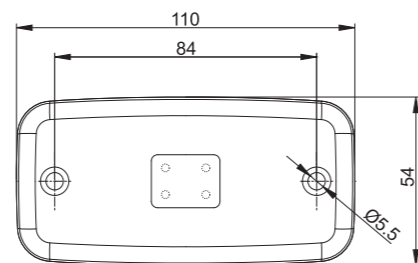
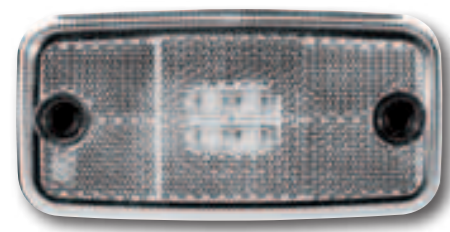
- Power consumption / Rated power:**
- white or yellow clearance light
12V=0.04A/0.5W/24V=0.04A/1W
 - red clearance light
12V=0.03A/0.4W/24V=0.03A/0.8W



CAT SM LED

ID/EAN	Photo	Description	Unit pack		Multipack / carton			Multipack / pallet		
			qty.	kg	qty.	cm	kg	qty.	cm	kg
FT-018 B LED 5907556001848		White LED clearance lamp with a cable.	10	0.51	350	59x39x29	17.85	7000	120x80x165	382.00
FT-018 B LED *QS075 5907556004474		White LED clearance lamp with a cable and a QS075 connector.	10	0.56	400	59x39x29	22.40	8000	120x80x165	473.00
FT-018 B LED *QS150 5907556001855		White LED clearance lamp with a cable and a QS150 connector.	10	0.56	400	59x39x29	22.40	8000	120x80x165	473.00
FT-018 Z LED 5907556001886		Yellow LED clearance lamp with a cable.	10	0.51	350	59x39x29	17.85	7000	120x80x165	382.00
FT-018 Z LED *QS075 5907556004498		Yellow LED clearance lamp with a cable and a QS075 connector.	10	0.56	400	59x39x29	22.40	8000	120x80x165	473.00
FT-018 Z LED *QS150 5907556001893		Yellow LED clearance lamp with a cable and a QS150 connector.	10	0.56	400	59x39x29	22.40	8000	120x80x165	473.00
FT-018 C LED 5907556001862		Red LED clearance lamp with a cable.	10	0.51	350	59x39x29	17.85	7000	120x80x165	382.00
FT-018 C LED *QS075 5907556004481		Red LED clearance lamp with a cable and a QS075 connector.	10	0.56	400	59x39x29	22.40	8000	120x80x165	473.00
FT-018 C LED *QS150 5907556001879		Red LED clearance lamp with a cable and a QS150 connector.	10	0.56	400	59x39x29	22.40	8000	120x80x165	473.00
KAT FT-017/FT-018 5907556002678		Angle holder for FT-017 / FT-018 clearance lamps. Both sides mounting possibility.	10	0.20						

Omega holder is not included in the basic accessories of the lamp.



1-functional LED clearance lamp with a reflector
 - european E9 homologation
 - ElectroMagnetic Compatibility – EMC certificate
 - shock-resistance – PC lampshade
 - optional polarity connection
 - integrated 2x0.75 mm² cable

Lamp functions:
 - clearance light

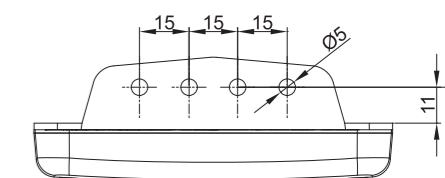
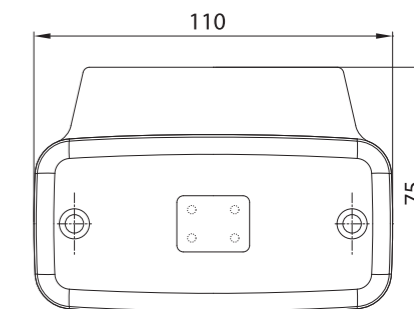
Technical specification:
 - supply voltage: 12–36V DC
 - operating temperature: –40°C to +55°C
 - lamp is resistant to any weather conditions
 - lamp is fully airtight

Power consumption / Rated power:
 - white or yellow clearance light
 12V= 0.04A/0.5W/24V=0.04A/1W
 - red clearance light
 12V=0.03A/0.4W/24V=0.03A/0.8W

CAT SM LED

ID/EAN	Photo	Description	Unit pack		Multipack / carton			Multipack / pallet		
			qty.	kg	qty.	cm	kg	qty.	cm	kg
FT-019 B LED 5907556001909		White LED clearance lamp with a cable.	10	0.51	300	59x39x29	15.30	6000	120x80x165	331.00
FT-019 Z LED 5907556001985		Yellow LED clearance lamp with a cable.	10	0.51	300	59x39x29	15.30	6000	120x80x165	331.00
FT-019 Z LED *QS075 5907556004542		Yellow LED clearance lamp with a cable and a QS075 connector.	10	0.56	300	59x39x29	16.80	6000	120x80x165	361.00
FT-019 Z LED *QS150 5907556001992		Yellow LED clearance lamp with a cable and a QS150 connector.	10	0.56	300	59x39x29	16.80	6000	120x80x165	361.00
FT-019 C LED 5907556001947		Red LED clearance lamp with a cable.	10	0.51	300	59x39x29	15.30	6000	120x80x165	331.00
KAT FT-019 5907556005587		Angle handle for FT-19 clearance lamps.	10	0.20						

Omega holder is not included in the basic accessories of the lamp.



1-functional LED clearance lamp with a reflector
 - european E9 homologation
 - ElectroMagnetic Compatibility – EMC certificate
 - shock-resistance – PC lampshade
 - optional polarity connection
 - integrated 2x0.75 mm² cable

Lamp functions:
 - clearance light

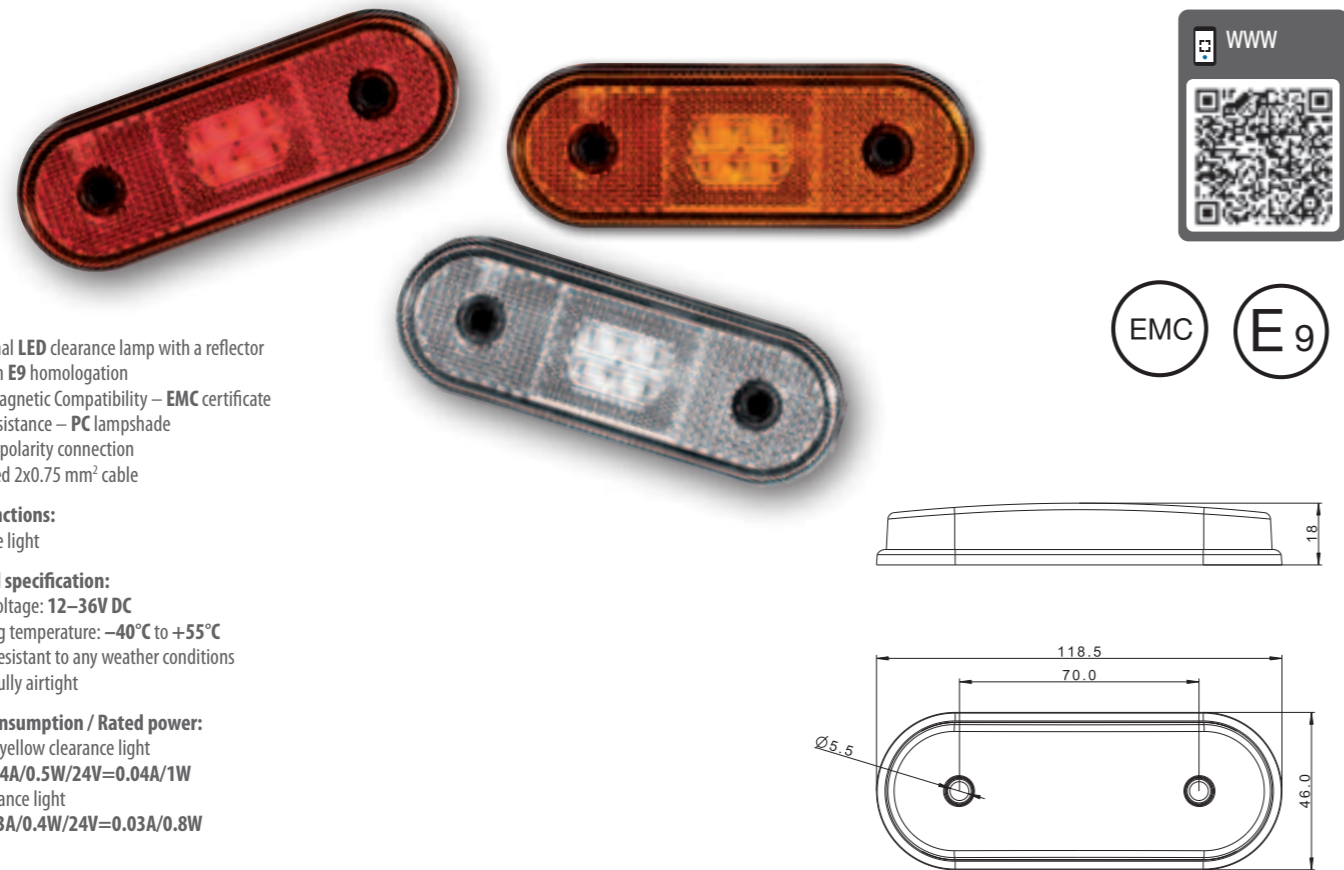
Technical specification:
 - supply voltage: 12–36V DC
 - operating temperature: –40°C to +55°C
 - lamp is resistant to any weather conditions
 - lamp is fully airtight

Power consumption / Rated power:
 - white or yellow clearance light
 12V= 0.04A/0.5W/24V=0.04A/1W
 - red clearance light
 12V=0.03A/0.4W/24V=0.03A/0.8W

CAT SM LED

ID/EAN	Photo	Description	Unit pack		Multipack / carton			Multipack / pallet		
			qty.	kg	qty.	cm	kg	qty.	cm	kg
FT-019 B+K LED 5907556001923		White LED clearance lamp with an angle holder and a cable.	10	0.95	200	59x39x29	19.00	4000	120x80x165	405.00
FT-019 B+K LED *QS075 5907556004511		White LED clearance lamp with an angle holder, a cable and a QS075 connector.	10	1.00	200	59x39x29	20.00	4000	120x80x165	425.00
FT-019 B+K LED *QS150 5907556001930		White LED clearance lamp with an angle holder, a cable and a QS150 connector.	10	1.00	200	59x39x29	20.00	4000	120x80x165	425.00
FT-019 Z+K LED 5907556002005		Yellow LED clearance lamp with an angle holder and a cable.	10	0.95	200	59x39x29	19.00	4000	120x80x165	405.00
FT-019 Z+K LED *QS075 5907556004559		Yellow LED clearance lamp with an angle holder, a cable and a QS075 connector.	10	1.00	200	59x39x29	20.00	4000	120x80x165	425.00
FT-019 Z+K LED *QS150 5907556002012		Yellow LED clearance lamp with an angle holder, a cable and a QS150 connector.	10	1.00	200	59x39x29	20.00	4000	120x80x165	425.00
FT-019 C+K LED 5907556001961		Red LED clearance lamp with a cable.	10	0.95	200	59x39x29	19.00	4000	120x80x165	405.00
FT-019 C+K LED *QS150 5907556001978		Red LED clearance lamp with an angle holder, a cable and a QS150 connector.	10	1.00	200	59x39x29	20.00	4000	120x80x165	425.00

Omega holder is not included in the basic accessories of the lamp.



1-functional LED clearance lamp with a reflector
 - european E9 homologation
 - ElectroMagnetic Compatibility – EMC certificate
 - shock-resistance – PC lampshade
 - optional polarity connection
 - integrated 2x0.75 mm² cable

Lamp functions:
 - clearance light

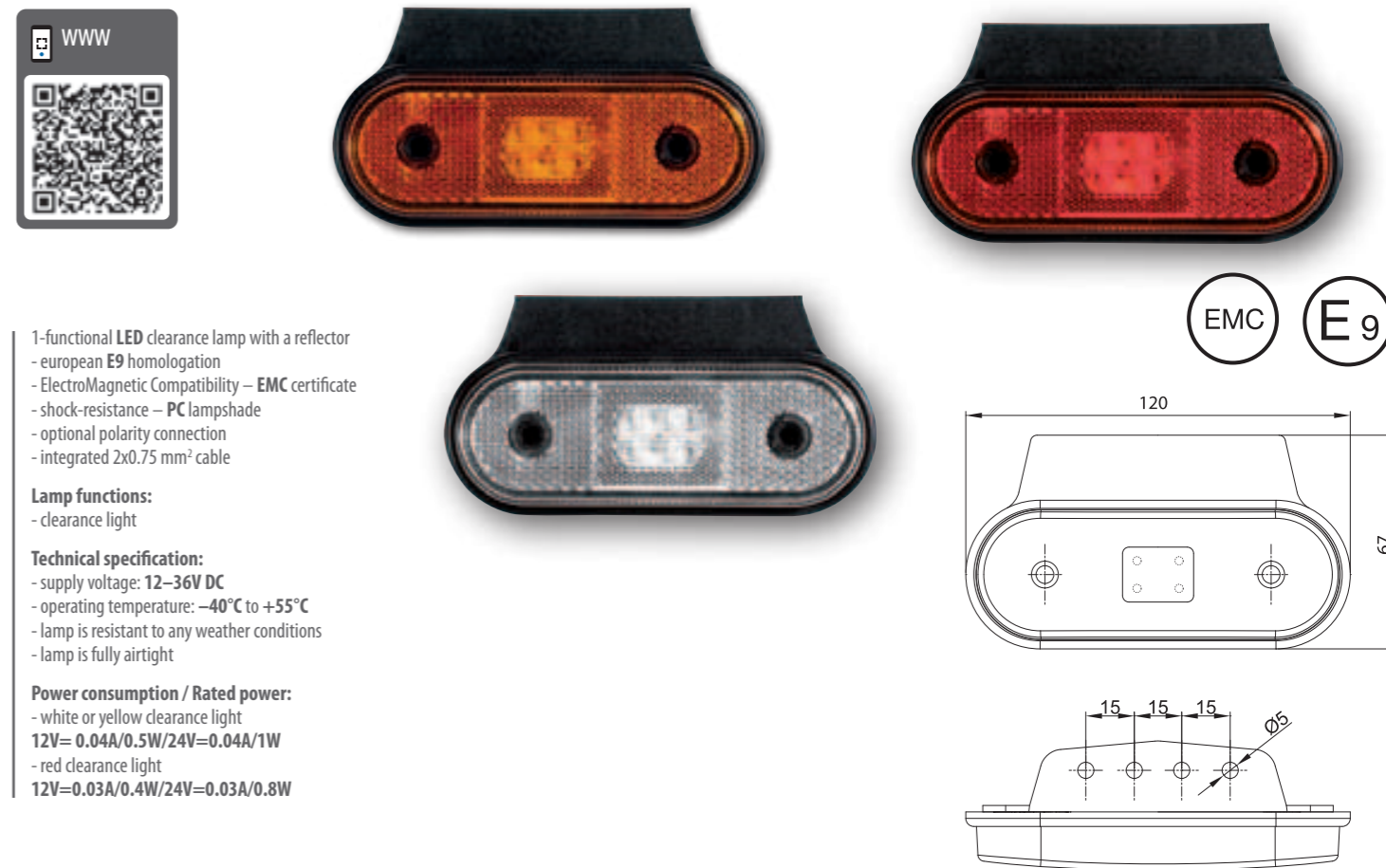
Technical specification:
 - supply voltage: 12–36V DC
 - operating temperature: –40°C to +55°C
 - lamp is resistant to any weather conditions
 - lamp is fully airtight

Power consumption / Rated power:
 - white or yellow clearance light
 12V= 0.04A/0.5W/24V=0.04A/1W
 - red clearance light
 12V=0.03A/0.4W/24V=0.03A/0.8W

CAT SM LED

ID/EAN	Photo	Description	Unit pack		Multipack / carton			Multipack / pallet		
			qty.	kg	qty.	cm	kg	qty.	cm	kg
FT-020 B LED 5907556002029		White LED clearance lamp with a cable.	10	0.65	250	59x39x29	16.25	5000	120x80x165	350.00
FT-020 B LED *QS075 5907556004566		White LED clearance lamp with a cable and a QS075 connector.	10	0.70	300	59x39x29	21.00	6000	120x80x165	445.00
FT-020 B LED *QS150 5907556006881		White LED clearance lamp with a cable and a QS150 connector.	10	0.70	300	59x39x29	21.00	6000	120x80x165	445.00
FT-020 Z LED 5907556002104		Yellow LED clearance lamp with a cable.	10	0.65	250	59x39x29	16.25	5000	120x80x165	350.00
FT-020 Z LED *QS075 5907556004603		Yellow LED clearance lamp with a cable and a QS075 connector.	10	0.70	300	59x39x29	21.00	6000	120x80x165	445.00
FT-020 Z LED *QS150 5907556006898		Yellow LED clearance lamp with a cable and a QS150 connector.	10	0.70	300	59x39x29	21.00	6000	120x80x165	445.00
FT-020 C LED 5907556002067		Red LED clearance lamp with a cable.	10	0.65	250	59x39x29	16.25	5000	120x80x165	350.00
FT-020 C LED *QS075 5907556004580		Red LED clearance lamp with a cable and a QS075 connector.	10	0.70	300	59x39x29	21.00	6000	120x80x165	445.00
FT-020 C LED *QS150 5907556006904		Red LED clearance lamp with a cable and a QS150 connector.	10	0.70	300	59x39x29	21.00	6000	120x80x165	445.00
KAT FT-020 5907556005594		Angle handle for FT-020 clearance lamps.	10	0.20						

Omega holder is not included in the basic accessories of the lamp.



1-functional LED clearance lamp with a reflector
 - european E9 homologation
 - ElectroMagnetic Compatibility – EMC certificate
 - shock-resistance – PC lampshade
 - optional polarity connection
 - integrated 2x0.75 mm² cable

Lamp functions:
 - clearance light

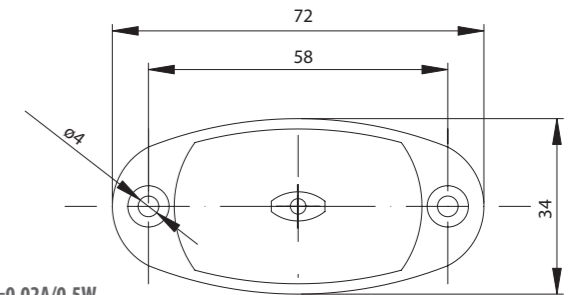
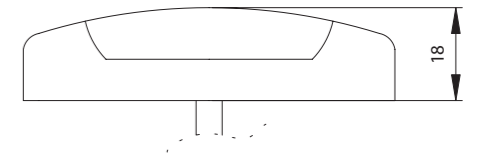
Technical specification:
 - supply voltage: 12–36V DC
 - operating temperature: –40°C to +55°C
 - lamp is resistant to any weather conditions
 - lamp is fully airtight

Power consumption / Rated power:
 - white or yellow clearance light
 12V= 0.04A/0.5W/24V=0.04A/1W
 - red clearance light
 12V=0.03A/0.4W/24V=0.03A/0.8W

CAT SM LED

ID/EAN	Photo	Description	Unit pack		Multipack / carton			Multipack / pallet		
			qty.	kg	qty.	cm	kg	qty.	cm	kg
FT-020 B+K LED 5907556002043		White LED clearance lamp with an angle holder and a cable.	10	0.85	200	59x39x29	17.00	4000	120x80x165	365.00
FT-020 B+K LED *QS075 5907556004573		White LED clearance lamp with an angle holder, a cable and a QS075 connector.	10	0.90	200	59x39x29	18.00	4000	120x80x165	385.00
FT-020 B+K LED *QS150 5907556002050		White LED clearance lamp with an angle holder, a cable and a QS150 connector.	10	0.90	200	59x39x29	18.00	4000	120x80x165	385.00
FT-020 Z+K LED 5907556002128		Yellow LED clearance lamp with an angle holder and a cable.	10	0.85	200	59x39x29	17.00	4000	120x80x165	365.00
FT-020 Z+K LED *QS075 5907556004610		Yellow LED clearance lamp with an angle holder, a cable and a QS075 connector.	10	0.90	200	59x39x29	18.00	4000	120x80x165	385.00
FT-020 Z+K LED *QS150 5907556002135		Yellow LED clearance lamp with an angle holder, a cable and a QS150 connector.	10	0.90	200	59x39x29	18.00	4000	120x80x165	385.00
FT-020 C+K LED 5907556002067		Red LED clearance lamp with an angle holder and a cable.	10	0.85	200	59x39x29	17.00	4000	120x80x165	365.00
FT-020 C+K LED *QS075 5907556004597		Red LED clearance lamp with an angle holder, a cable and a QS075 connector.	10	0.90	200	59x39x29	18.00	4000	120x80x165	385.00
FT-020 C+K LED *QS150 5907556002098		Red LED clearance lamp with an angle holder, a cable and a QS150 connector.	10	0.90	200	59x39x29	18.00	4000	120x80x165	385.00

Omega holder is not included in the basic accessories of the lamp.



- 1-functional LED clearance lamp
- european E9 homologation
- ElectroMagnetic Compatibility – EMC certificate
- shock-resistance – PC lampshade
- optional polarity connection
- integrated 2x0.75 mm² cable

Lamp functions:
- clearance light

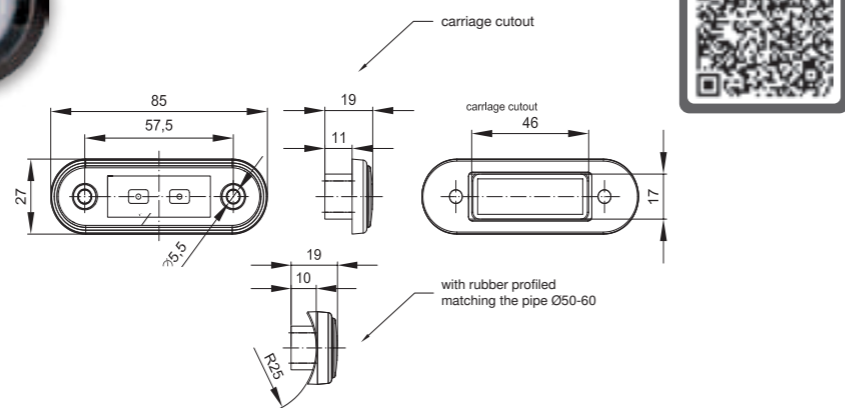
Technical specification:
- supply voltage: 12–36V DC
- operating temperature: –40°C to +55°C
- lamp is resistant to any weather conditions
- lamp is fully airtight

Power consumption / Rated power:
- yellow or red clearance light: 12V=0.02A/0.25W/24V=0.02A/0.5W
- white clearance light: 12V=0.04A/0.5W/24V=0.04A/1W



ID/EAN	Photo	Description	Unit pack		Multipack / carton			Multipack / pallet		
			qty.	kg	qty.	cm	kg	qty.	cm	kg
FT-025 B LED 5907556004801		White LED clearance lamp with a cable.	10	0.35	500	59x39x29	17.50	10000	120x80x165	375.00
FT-025 B LED *QS075 5907556004832		White LED clearance lamp with a cable and a QS075 connector.	10	0.40	500	59x39x29	20.00	10000	120x80x165	425.00
FT-025 B LED *QS150 5907556004863		White LED clearance lamp with a cable and a QS150 connector.	10	0.40	500	59x39x29	20.00	10000	120x80x165	425.00
FT-025 Z LED 5907556004825		Yellow LED clearance lamp with a cable.	10	0.35	500	59x39x29	17.50	10000	120x80x165	375.00
FT-025 Z LED *QS075 5907556004856		Yellow LED clearance lamp with a cable and a QS075 connector.	10	0.40	500	59x39x29	20.00	10000	120x80x165	425.00
FT-025 Z LED *QS150 5907556004887		Yellow LED clearance lamp with a cable and a QS150 connector.	10	0.40	500	59x39x29	20.00	10000	120x80x165	425.00
FT-025 C LED 5907556004818		Red LED clearance lamp with a cable.	10	0.35	500	59x39x29	17.50	10000	120x80x165	375.00
FT-025 C LED *QS075 5907556004849		Red LED clearance lamp with a cable and a QS075 connector.	10	0.40	500	59x39x29	20.00	10000	120x80x165	425.00
FT-025 C LED *QS150 5907556004870		Red LED clearance lamp with a cable and a QS150 connector.	10	0.40	500	59x39x29	20.00	10000	120x80x165	425.00

Omega holder is not included in the basic accessories of the lamp.



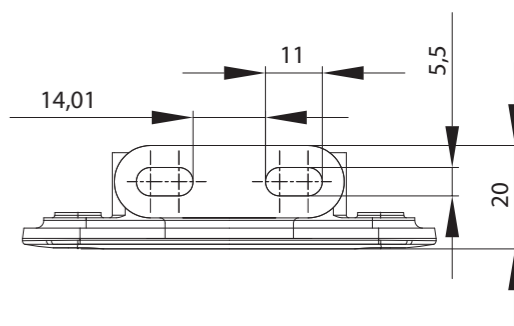
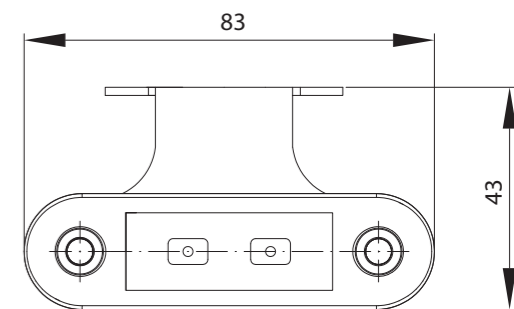
- 1-functional LED clearance lamp
- european E9 homologation
- ElectroMagnetic Compatibility – EMC certificate
- shock-resistance – PC lampshade
- integrated 2x0.75 mm² cable

In a standard version the lamps are applied to be mounted on the flat surfaces using the black rubber.
Optionally the installation at the grille saver bull bars, bumper guards and body armors may be carried out by using a transparent or black FT-015 PGC/T rubber gaskets that are not included in the standard version of the product.

- Lamp functions:**
- red, white or yellow clearance light
 - blue or green decorative light
- Technical specification:**
- supply voltage: 12–36V DC
 - operating temperature: –40°C to +55°C
 - lamp is resistant to any weather conditions
 - lamp is fully airtight

Power consumption / Rated power:

- clearance light: 12V=0.02A/0.25W/24V=0.02A/0.5W



- 1-functional LED clearance lamp
- european E9 homologation
- ElectroMagnetic Compatibility – EMC certificate
- shock-resistance – PC lampshade
- optional polarity connection
- integrated 2x0.75 mm² cable

Technical specification:

- supply voltage: 12–36V DC
- operating temperature: –40°C to +55°C
- lamp is resistant to any weather conditions
- lamp is fully airtight

Power consumption / Rated power:

- clearance light: 12V=0.02A/0.25W/24V=0.02A/0.5W

- Lamp functions:**
- clearance light

SM LED

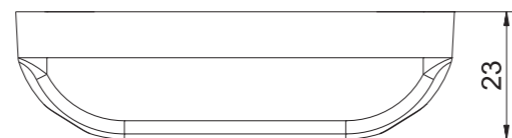
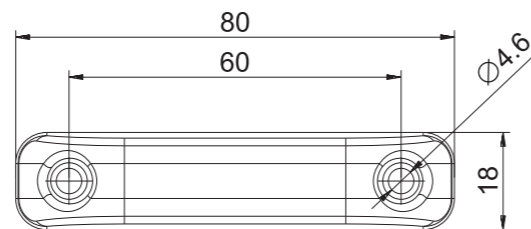
ID/EAN	Photo	Description	Unit pack		Multipack / carton			Multipack / pallet		
			qty.	kg	qty.	cm	kg	qty.	cm	kg
FT-015 B LED 5907556001565		White LED clearance lamp with a cable.	10	0.41	350	59x39x29	14.35	7000	120x80x165	312.00
FT-015 B LED *QS075 5907556004245		White LED clearance lamp with a cable and a QS075 connector.	10	0.46	400	59x39x29	18.40	8000	120x80x165	393.00
FT-015 B LED *QS150 5907556001572		White LED clearance lamp with a cable and a QS150 connector.	10	0.46	400	59x39x29	18.40	8000	120x80x165	393.00
FT-015 Z LED 5907556001640		Yellow LED clearance lamp with a cable.	10	0.41	350	59x39x29	14.35	7000	120x80x165	312.00
FT-015 Z LED *QS075 5907556004283		Yellow LED clearance lamp with a cable and a QS075 connector.	10	0.46	400	59x39x29	18.40	8000	120x80x165	393.00
FT-015 Z LED *QS150 5907556001657		Yellow LED clearance lamp with a cable and a QS150 connector.	10	0.46	400	59x39x29	18.40	8000	120x80x165	393.00
FT-015 C LED 5907556001602		Red LED clearance lamp with a cable.	10	0.41	350	59x39x29	14.35	7000	120x80x165	312.00
FT-015 C LED *QS075 5907556004269		Red LED clearance lamp with a cable and a QS075 connector.	10	0.46	400	59x39x29	18.40	8000	120x80x165	393.00
FT-015 C LED *QS150 5907556001619		Red LED clearance lamp with a cable and a QS150 connector.	10	0.46	400	59x39x29	18.40	8000	120x80x165	393.00
FT-015 N LED 5907556007215		Decorative LED lamp, blue, 2x0.75 mm ² cable (0.5 m).	10	0.41	350	59x39x29	14.35	7000	120x80x165	312.00
FT-015 ZIEL LED 5907556005570		Decorative LED lamp, green, 2x0.75 mm ² cable (0.5 m).	10	0.41	350	59x39x29	14.35	7000	120x80x165	312.00
FT-015 PG C 5907556008007		Rubber black gasket for mounting FT-015 LED clearance lamps on tube grill guards and bull bars.	10	0.008						
FT-015 PG T 5907556008014		Rubber transparent gasket for mounting FT-015 LED clearance lamps on tube grill guards and bull bars.	10	0.008						
FT-015 PG T PL		Rubber gasket (transparent) for FT-015 LED to be mounted at grille saver bull bars, bumper guards and body armors.	10	0.008						

Omega holder is not included in the basic accessories of the lamp.

SM LED

ID/EAN	Photo	Description	Unit pack		Multipack / carton			Multipack / pallet		
			qty.	kg	qty.	cm	kg	qty.	cm	kg
FT-015 B+K LED 5907556001589		White LED clearance lamp with an angle holder and a cable.	10	0.54	400	59x39x29	21.60	8000	120x80x165	457.00
FT-015 Z+K LED 5907556001664		Yellow LED clearance lamp with an angle holder and a cable.	10	0.54	400	59x39x29	21.60	8000	120x80x165	457.00
FT-015 C LED 5907556001626		Red LED clearance lamp with an angle holder and a cable.	10	0.54	400	59x39x29	21.60	8000	120x80x165	457.00

Omega holder is not included in the basic accessories of the lamp.



- 1-functional LED clearance lamp
- european E9 homologation
- ElectroMagnetic Compatibility – EMC certificate
- shock-resistance – PC lampshade
- optional polarity connection
- integrated 2x0.75 mm² cable

Lamp functions:

- clearance light

Technical specification:

- supply voltage: 12–36V DC
- operating temperature: –40°C to +55°C
- lamp is resistant to any weather conditions
- lamp is fully airtight

Power consumption / Rated power

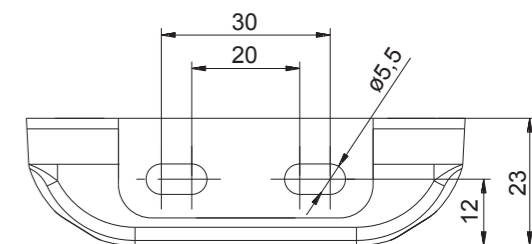
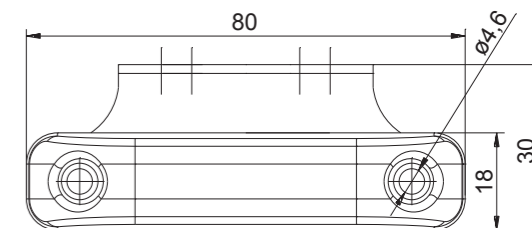
- clearance light: 12V=0.02A/0.25W/24V=0.02A/0.5W



SM LEC

ID/EAN	Photo	Description	Unit pack		Multipack / carton			Multipack / pallet		
			qty.	kg	qty.	cm	kg	qty.	cm	kg
FT-013 B LED 5907556001473		White LED clearance lamp with a cable.	10	0.48	400	59x39x29	19.20	8000	120x80x165	409.00
FT-013 Z LED 5907556001534		Yellow LED clearance lamp with a cable.	10	0.48	400	59x39x29	19.20	8000	120x80x165	409.00
FT-013 C LED 5907556001503		Red LED clearance lamp with a cable.	10	0.48	400	59x39x29	19.20	8000	120x80x165	409.00

Omega holder is not included in the basic accessories of the lamp.



- 1-functional LED clearance lamp
- european E9 homologation
- ElectroMagnetic Compatibility – EMC certificate
- shock-resistance – PC lampshade
- optional polarity connection
- integrated 2x0.75 mm² cable

Lamp functions:

- clearance light

Technical specification:

- supply voltage: 12–36V DC
- operating temperature: –40°C to +55°C
- lamp is resistant to any weather conditions
- lamp is fully airtight

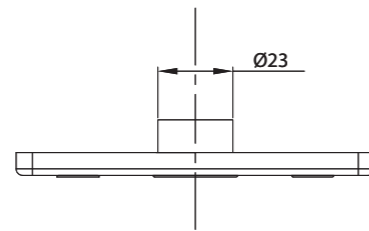
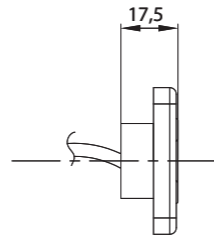
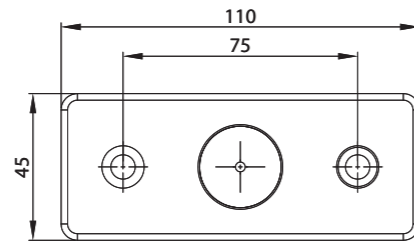
Power consumption / Rated power:

- clearance light: 12V=0.02A/0.25W/24V=0.02A/0.5W

SM LEC

ID/EAN	Photo	Description	Unit pack		Multipack / carton			Multipack / pallet		
			qty.	kg	qty.	cm	kg	qty.	cm	kg
FT-013 B+K LED 5907556001497		White LED clearance lamp with an angle holder and a cable.	10	0.56	400	59x39x29	22.40	7200	120x80x165	428.20
FT-013 Z+K LED 5907556001558		Yellow LED clearance lamp with an angle holder and a cable.	10	0.56	400	59x39x29	22.40	7200	120x80x165	428.20
FT-013 C+K LED 5907556001527		Red LED clearance lamp with a cable.	10	0.56	400	59x39x29	22.40	7200	120x80x165	428.20

Omega holder is not included in the basic accessories of the lamp.



- 1-functional LED clearance lamp with a reflector
- european E9 homologation
- ElectroMagnetic Compatibility – EMC certificate
- shock-resistance – PC lampshade
- optional polarity connection
- integrated 2x0.75 mm² cable

Lamp functions:

- clearance light

Technical specification:

- supply voltage: 12–36V DC
- operating temperature: –40°C to +55°C
- lamp is resistant to any weather conditions
- lamp is fully airtight

Power consumption / Rated power:

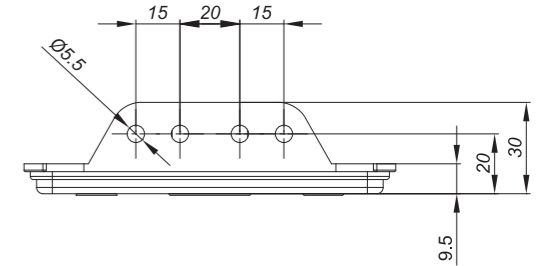
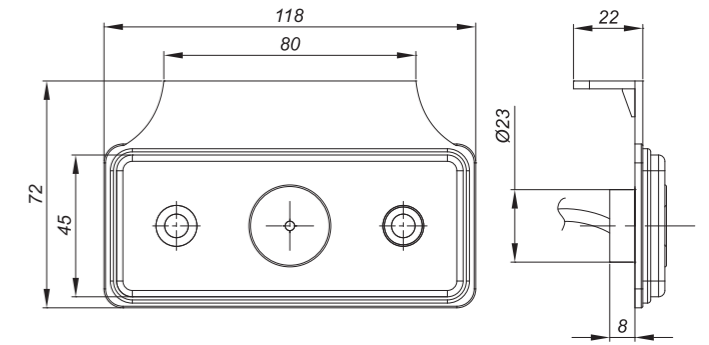
- yellow or red clearance light: 12V=0.02A/0.25W/24V=0.02A/0.5W
- white clearance light: 12V=0.04A/0.5W/24V=0.04A/1W



CAT SM LED

ID/EAN	Photo	Description	Unit pack		Multipack / carton			Multipack / pallet		
			qty.	kg	qty.	cm	kg	qty.	cm	kg
MD-013 B LED 5907556002944		White LED clearance lamp with a cable.	10	0.73	300	59x39x29	21.90	6000	120x80x165	463.00
MD-013 B LED *QS075 5907556004627		White LED clearance lamp with a cable and a QS075 connector.	10	0.83	300	59x39x29	24.90	6000	120x80x165	523.00
MD-013 B LED *QS150 5907556002975		White LED clearance lamp with a cable and a QS150 connector.	10	0.83	300	59x39x29	24.90	6000	120x80x165	523.00
MD-013 Z LED 5907556003248		Yellow LED clearance lamp with a cable.	10	0.73	300	59x39x29	21.90	6000	120x80x165	463.00
MD-013 Z LED *QS075 5907556004740		Yellow LED clearance lamp with a cable and a QS075 connector.	10	0.83	300	59x39x29	24.90	6000	120x80x165	523.00
MD-013 Z LED *QS150 5907556003279		Yellow LED clearance lamp with a cable and a QS150 connector.	10	0.83	300	59x39x29	24.90	6000	120x80x165	523.00
MD-013 C LED 5907556003095		Red LED clearance lamp with a cable.	10	0.73	300	59x39x29	21.90	6000	120x80x165	463.00
MD-013 C LED *QS075 5907556004689		Red LED clearance lamp with a cable and a QS075 connector.	10	0.83	300	59x39x29	24.90	6000	120x80x165	523.00
MD-013 C LED *QS150 5907556003125		Red LED clearance lamp with a cable and a QS150 connector.	10	0.83	300	59x39x29	24.90	6000	120x80x165	523.00
KAT MD-013 5907556007031		Angle handle for MD-013 lamps.	10	0.20						

Omega holder is not included in the basic accessories of the lamp.



- 1-functional LED clearance lamp with a reflector
- european E9 homologation
- ElectroMagnetic Compatibility – EMC certificate
- shock-resistance – PC lampshade
- optional polarity connection
- integrated 2x0.75 mm² cable

Lamp functions:

- clearance light

Technical specification:

- supply voltage: 12–36V DC
- operating temperature: –40°C to +55°C
- lamp is resistant to any weather conditions
- lamp is fully airtight

Power consumption / Rated power:

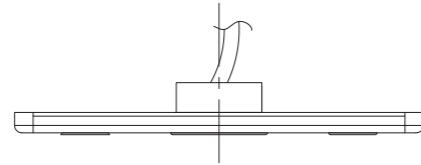
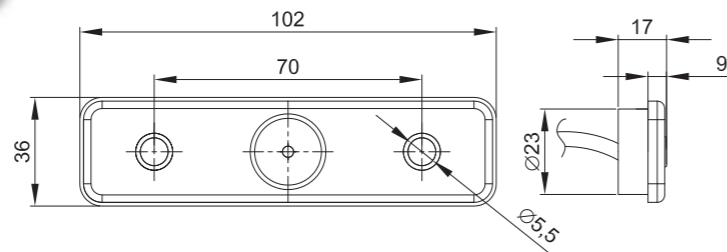
- yellow or red clearance light: 12V=0.02A/0.25W/24V=0.02A/0.5W
- white clearance light: 12V=0.04A/0.5W/24V=0.04A/1W



CAT SM LED

ID/EAN	Photo	Description	Unit pack		Multipack / carton			Multipack / pallet		
			qty.	kg	qty.	cm	kg	qty.	cm	kg
MD-013 B+K LED 5907556003019		White LED clearance lamp with an angle holder and a cable.	10	0.75	200	59x39x29	15.00	3200	120x80x165	265.00
MD-013 B+K LED *QS075 5907556004658		White LED clearance lamp with an angle holder, a cable and a QS075 connector.	10	0.85	200	59x39x29	17.00	3200	120x80x165	297.00
MD-013 B+K LED *QS150 5907556003040		White LED clearance lamp with an angle holder, a cable and a QS150 connector.	10	0.85	200	59x39x29	17.00	3200	120x80x165	297.00
MD-013 Z+K LED 5907556003316		Yellow LED clearance lamp with an angle holder and a cable.	10	0.75	200	59x39x29	15.00	3200	120x80x165	265.00
MD-013 Z+K LED *QS075 5907556004771		Yellow LED clearance lamp with an angle holder, a cable and a QS075 connector.	10	0.85	200	59x39x29	17.00	3200	120x80x165	297.00
MD-013 Z+K LED *QS150 5907556003347		Yellow LED clearance lamp with an angle holder, a cable and a QS150 connector.	10	0.85	200	59x39x29	17.00	3200	120x80x165	297.00
MD-013 C+K LED 5907556003163		Red LED clearance lamp with a cable.	10	0.75	200	59x39x29	15.00	3200	120x80x165	265.00
MD-013 C+K LED *QS075 5907556004719		Red LED clearance lamp with an angle holder, a cable and a QS075 connector.	10	0.85	200	59x39x29	17.00	3200	120x80x165	297.00
MD-013 C+K LED *QS150 5907556003194		Red LED clearance lamp with an angle holder, a cable and a QS150 connector.	10	0.85	200	59x39x29	17.00	3200	120x80x165	297.00

Omega holder is not included in the basic accessories of the lamp.



- 1-functional LED clearance lamp with a reflector
- European E9 homologation
- ElectroMagnetic Compatibility – EMC certificate
- shock-resistance – PC lampshade
- optional polarity connection
- integrated 2x0.75 mm² cable

Lamp functions:
- clearance light

Technical specification:
- supply voltage: 12–36V DC
- operating temperature: –40°C to +55°C
- lamp is resistant to any weather conditions
- lamp is fully airtight

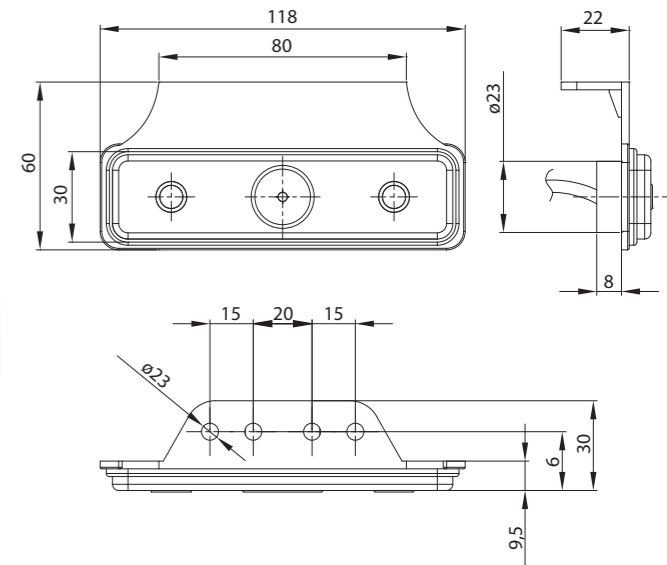
Power consumption / Rated power:
- yellow or red clearance light: 12V=0.02A/0.25W/24V=0.02A/0.5W
- white clearance light: 12V=0.04A/0.5W/24V=0.04A/1W



CAT SM LED

ID/EAN	Photo	Description	Unit pack		Multipack / carton			Multipack / pallet		
			qty.	kg	qty.	cm	kg	qty.	cm	kg
FT-004 B LED 5907556000476		White LED clearance lamp with a cable.	10	0.53	400	59x39x29	21.20	8000	120x80x165	449.00
FT-004 B LED *QS075 5907556003972		White LED clearance lamp with a cable and a QS075 connector.	10	0.58	400	59x39x29	23.20	8000	120x80x165	489.00
FT-004 B LED *QS150 5907556000506		White LED clearance lamp with a cable and a QS150 connector.	10	0.58	400	59x39x29	23.20	8000	120x80x165	489.00
FT-004 Z LED 5907556000773		Yellow LED clearance lamp with a cable.	10	0.53	400	59x39x29	21.20	8000	120x80x165	449.00
FT-004 Z LED *QS075 5907556004092		Yellow LED clearance lamp with a cable and a QS075 connector.	10	0.58	400	59x39x29	23.20	8000	120x80x165	489.00
FT-004 Z LED *QS150 5907556000803		Yellow LED clearance lamp with a cable and a QS150 connector.	10	0.58	400	59x39x29	23.20	8000	120x80x165	489.00
FT-004 C LED 5907556000629		Red LED clearance lamp with a cable.	10	0.53	400	59x39x29	21.20	8000	120x80x165	449.00
FT-004 C LED *QS075 5907556004030		Red LED clearance lamp with a cable and a QS075 connector.	10	0.58	400	59x39x29	23.20	8000	120x80x165	489.00
FT-004 C LED *QS150 5907556000650		Red LED clearance lamp with a cable and a QS150 connector.	10	0.58	400	59x39x29	23.20	8000	120x80x165	489.00
KAT FT-004 5907556007048		Angle handle for FT-004 lamps.	10	0.20						

Omega holder is not included in the basic accessories of the lamp.



- 1-functional Clearance marker LED lamp with a reflector
- European E9 homologation
- ElectroMagnetic Compatibility – EMC certificate
- shock-resistance – PC lampshade
- optional polarity connection
- integrated 2x0.75 mm² cable

Lamp functions:
- clearance light

Technical specification:
- supply voltage: 12–36V DC
- operating temperature: –40°C to +55°C
- lamp is resistant to any weather conditions
- lamp is fully airtight

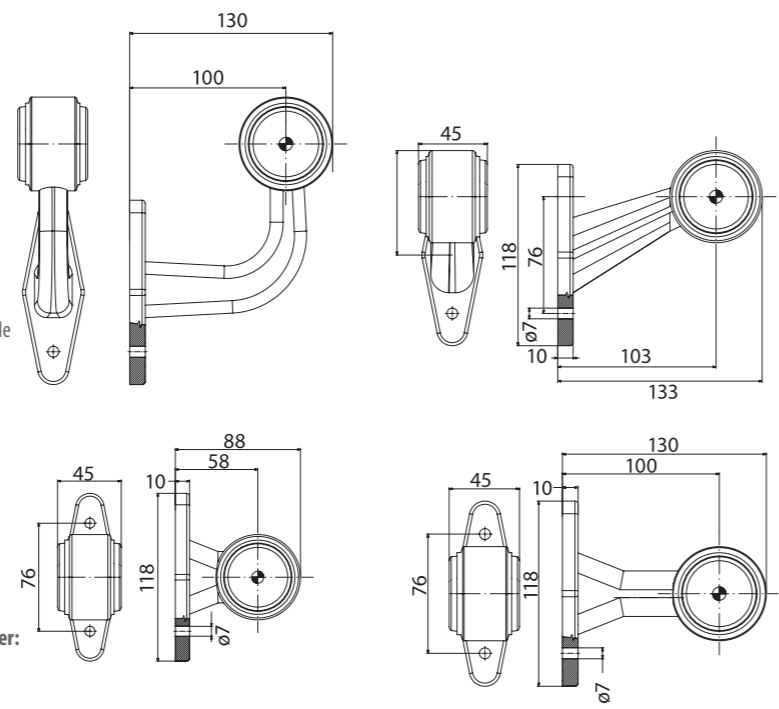
Power consumption / Rated power:
- yellow or red clearance light: 12V=0.02A/0.25W/24V=0.02A/0.5W
- white clearance light: 12V=0.04A/0.5W/24V=0.04A/1W



CAT SM LED

ID/EAN	Photo	Description	Unit pack		Multipack / carton			Multipack / pallet		
			qty.	kg	qty.	cm	kg	qty.	cm	kg
FT-004 B+K LED 5907556000544		White LED clearance lamp with an angle holder and a cable.	10	0,57	300	59x39x29	17,10	6000	120x80x165	367,00
FT-004 B+K LED *QS075 5907556004009		White LED clearance lamp with an angle holder, a cable and a QS075 connector.	10	0,62	300	59x39x29	18,60	6000	120x80x165	397,00
FT-004 B+K LED *QS150 5907556000575		White LED clearance lamp with an angle holder, a cable and a QS150 connector.	10	0,62	300	59x39x29	18,60	6000	120x80x165	397,00
FT-004 Z+K LED 5907556000841		Yellow LED clearance lamp with an angle holder and a cable.	10	0,57	300	59x39x29	17,10	6000	120x80x165	367,00
FT-004 Z+K LED *QS075 5907556004122		Yellow LED clearance lamp with an angle holder, a cable and a QS075 connector.	10	0,62	300	59x39x29	18,60	6000	120x80x165	397,00
FT-004 Z+K LED *QS150 5907556000872		Yellow LED clearance lamp with an angle holder, a cable and a QS150 connector.	10	0,62	300	59x39x29	18,60	6000	120x80x165	397,00
FT-004 C+K LED 5907556000698		Red LED clearance lamp with a cable.	10	0,57	300	59x39x29	17,10	6000	120x80x165	367,00
FT-004 C+K LED *QS075 5907556004061		Red LED clearance lamp with an angle holder, a cable and a QS075 connector.	10	0,62	300	59x39x29	18,60	6000	120x80x165	397,00
FT-004 C+K LED *QS150 5907556000728		Red LED clearance lamp with an angle holder, a cable and a QS150 connector.	10	0,62	300	59x39x29	18,60	6000	120x80x165	397,00

Omega holder is not included in the basic accessories of the lamp.



EMC **E9**

2-functional LED clearance lamp mounted with the rubber bracket and removable optical module

- european E9 homologation
- ElectroMagnetic Compatibility – EMC certificate
- shock-resistance – PC lampshade
- optional polarity connection
- integrated 2x0.75 mm² cable

Lamp functions:

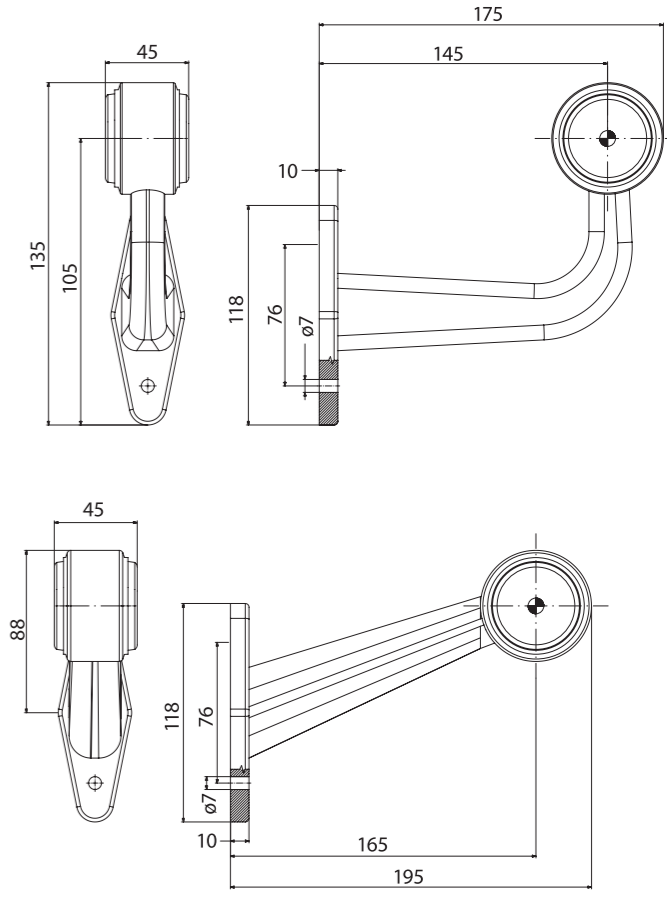
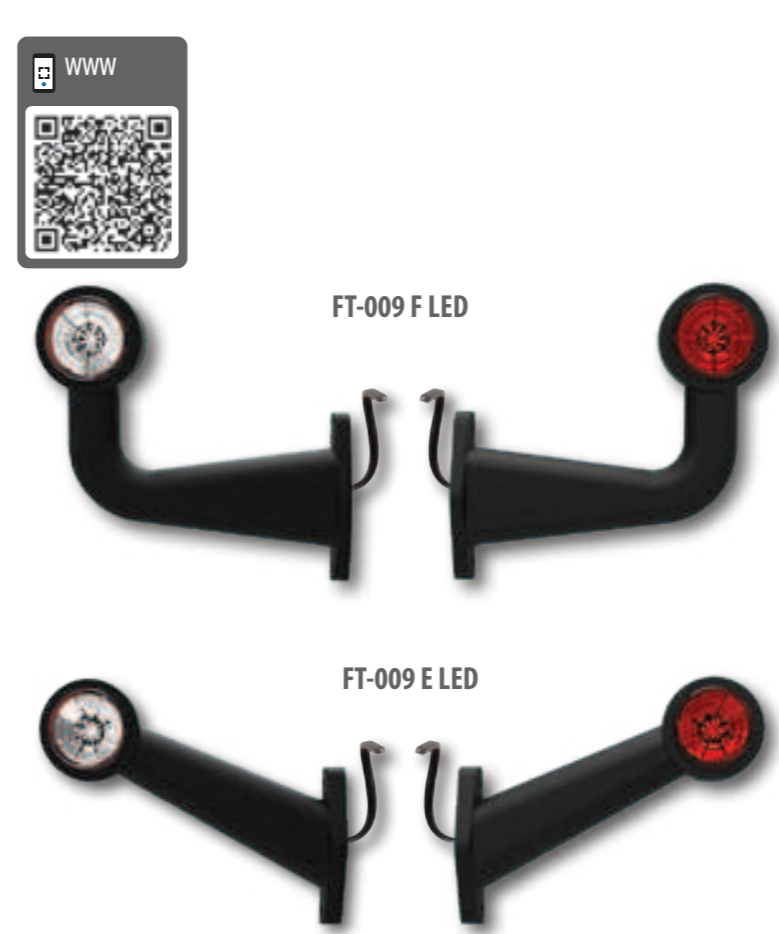
- white clearance light
- red clearance light

Technical specification:

- supply voltage: 12–36V DC
- operating temperature: –40°C to +55°C
- lamp is resistant to any weather conditions
- lamp is fully airtight

Power consumption:
- 12V/24V = 0.04A/0.04A

Power consumption / Rated power:
- 12V/24V = 0.5W/1W



2-functional clearance LED clearance lamp mounted with the rubber bracket and removable optical module

- european E9 homologation
- ElectroMagnetic Compatibility – EMC certificate
- shock-resistance – PC lampshade
- optional polarity connection
- integrated 2x0.75 mm² cable

Lamp functions:

- white clearance light
- red clearance light

Technical specification:

- supply voltage: 12–36V DC
- operating temperature: –40°C to +55°C
- lamp is resistant to any weather conditions
- lamp is fully airtight

Power consumption:
- 12V/24V = 0.04A/0.04A

Power consumption / Rated power:
- 12V/24V = 0.5W/1W

ID/EAN	Photo	Description	Unit pack		Multipack / carton			Multipack / pallet		
			qty.	kg	qty.	cm	kg	qty.	cm	kg
FT-009 A LED 5907556006034		LED clearance marker lamp on a short straight rubber bracket with a cable.	2	0.25	200	59x39x29	25.00	4000	120x80x165	525.00
FT-009 A LED *QS075 5907556006096		LED clearance marker lamp on a short straight rubber bracket with a cable and a QS075 connector.	2	0.28	200	59x39x29	28.00	4000	120x80x165	585.00
FT-009 A LED *QS150 5907556006157		LED clearance marker lamp on a short straight rubber bracket with a cable and a QS150 connector.	2	0.28	200	59x39x29	28.00	4000	120x80x165	585.00
FT-009 B LED 5907556006041		LED clearance marker lamp on a long straight rubber bracket with a cable.	2	0.35	160	59x39x29	28.00	3200	120x80x165	585.00
FT-009 B LED *QS075 5907556006102		LED clearance marker lamp on a long straight rubber bracket with a cable and a QS075 connector.	2	0.38	160	59x39x29	30.40	3200	120x80x165	633.00
FT-009 B LED *QS150 5907556006164		LED clearance marker lamp on a long straight rubber bracket with a cable and a QS150 connector.	2	0.38	160	59x39x29	30.40	3200	120x80x165	633.00
FT-009 C LED 5907556006058		LED clearance marker lamp on a short slanting rubber bracket with a cable.	2	0.30	160	59x39x29	24.00	3200	120x80x165	505.00
FT-009 C LED *QS075 5907556006119		LED clearance marker lamp on a short slanting rubber bracket with a cable and a QS075 connector.	2	0.33	160	59x39x29	26.40	3200	120x80x165	553.00
FT-009 C LED *QS150 5907556006171		LED clearance marker lamp on a short slanting rubber bracket with a cable and a QS150 connector.	2	0.33	160	59x39x29	26.40	3200	120x80x165	553.00
FT-009 D LED 5907556006065		LED clearance marker lamp on a short L-shaped rubber bracket with a cable.	2	0.35	140	59x39x29	24.50	2800	120x80x165	515.00
FT-009 D LED *QS075 5907556006126		LED clearance marker lamp on a short L-shaped rubber bracket with a cable and a QS075 connector.	2	0.38	140	59x39x29	26.60	2800	120x80x165	557.00
FT-009 D LED *QS150 5907556006188		LED clearance marker lamp on a short L-shaped rubber bracket with a cable and a QS150 connector.	2	0.38	140	59x39x29	26.60	2800	120x80x165	557.00

Omega holder is not included in the basic accessories of the lamp.

ID/EAN	Photo	Description	Unit pack		Multipack / carton			Multipack / pallet		
			qty.	kg	qty.	cm	kg	qty.	cm	kg
FT-009 E LED 5907556006072		LED clearance marker lamp on a long slanting rubber bracket with a cable.	2	0.40	100	59x39x29	20.00	2000	120x80x165	425.00
FT-009 E LED *QS075 5907556006133		LED clearance marker lamp on a long slanting rubber bracket with a cable and a QS075 connector.	2	0.43	100	59x39x29	21.50	2000	120x80x165	455.00
FT-009 E LED *QS150 5907556006195		LED clearance marker lamp on a long slanting rubber bracket with a cable and a QS150 connector.	2	0.43	100	59x39x29	21.50	2000	120x80x165	455.00
FT-009 F LED 5907556006089		LED clearance marker lamp on a long L-shaped rubber bracket with a cable.	2	0.40	100	59x39x29	20.00	2000	120x80x165	425.00
FT-009 F LED *QS075 5907556006140		LED clearance marker lamp on a long L-shaped rubber bracket with a cable and a QS075 connector.	2	0.43	100	59x39x29	21.50	2000	120x80x165	455.00
FT-009 F LED *QS150 5907556006201		LED clearance marker lamp on a long L-shaped rubber bracket with a cable and a QS150 connector.	2	0.43	100	59x39x29	21.50	2000	120x80x165	455.00

Omega holder is not included in the basic accessories of the lamp.



- 1-functional LED clearance lamp with a reflector
- european E9 homologation
- ElectroMagnetic Compatibility – EMC certificate
- shock-resistance – PC lampshade
- optional polarity connection
- integrated 2x0.75 mm² cable

Lamp functions:
- clearance light

Depending on the light color:

- front clearance light – white
- rear clearance light – red
- side clearance light – yellow

• Vertical / horizontal approval

Technical specification:

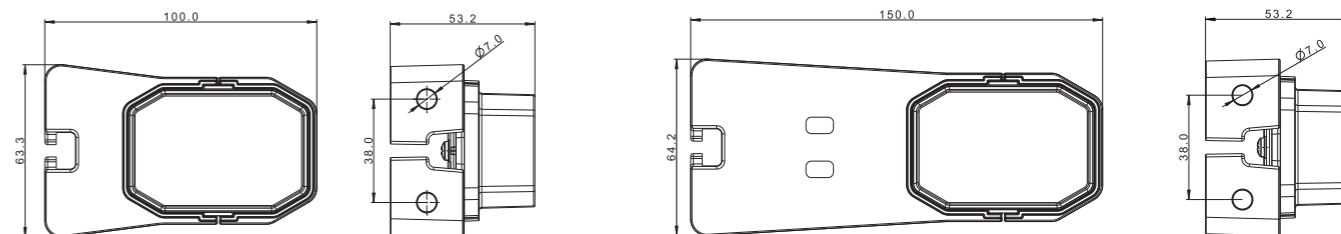
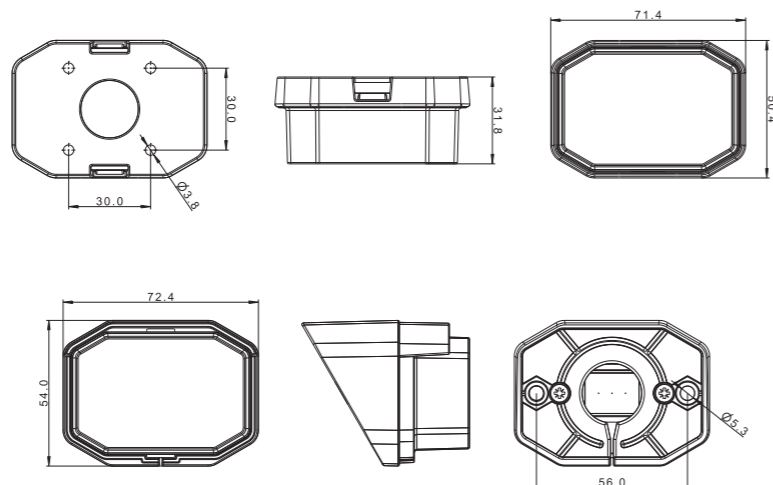
- supply voltage: 12–36V DC
- operating temperature: –40°C to +55°C
- lamp is resistant to any weather conditions
- lamp is fully airtight

Power consumption:

- front clearance light: 12V/24V = 0.02A/0.02A
- rear clearance light: 12V/24V = 0.02A/0.02A
- side clearance light: 12V/24V = 0.04A/0.04A

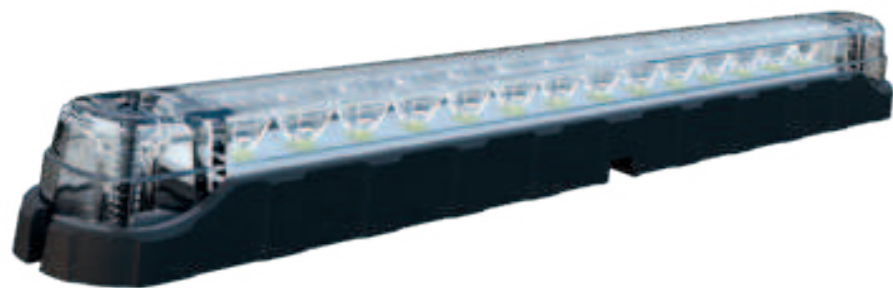
Power consumption / Rated power:

- front clearance light: 12V/24V = 0.25W/0.5W
- rear clearance light: 12V/24V = 0.25W/0.6W
- side clearance light: 12V/24V = 0.5W/1W



LEC CAT SM

ID/EAN	Photo	Description	Unit pack		Multipack / carton		Multipack / pallet		
			qty.	kg	qty.	cm	kg	qty.	cm
FT-001 B LED 5907556005716		Clearance lamp LED, white, with reflector, 12-36V, flat mounting, 0.5m cable.	10			59x39x29			120x80x165
FT-001 B LED 5907556003927		Clearance lamp LED, white, with reflector, 12-36V, flat mounting, 0.5m cable with QS075 connector.	10			59x39x29			120x80x165
FT-001 BI LED 5907556005747		Clearance lamp LED, white, with reflector, 12-36V, on a short angled handle, 0.5m cable.	10			59x39x29			120x80x165
FT-001 BI LED 5907556005839		Clearance lamp LED, white, with reflector, 12-36V, on a short angled handle, 0.5m cable with a QS075 connector.	10			59x39x29			120x80x165
FT-001 BIV LED 5907556008809		Clearance lamp LED, white, with reflector, 12-36V, on a long angled handle, 0.5m cable.	10			59x39x29			120x80x165
FT-001 BIV LED 5907556008816		Clearance lamp LED, white, with reflector, 12-36V, on a long angled handle, 0.5m cable with a QS075 connector.	10			59x39x29			120x80x165
FT-001 BV LED 5907556033436		Clearance lamp LED, white, with reflector, 12-36V, holder on the fender, 0.5m cable.	10			59x39x29			120x80x165
FT-001 BV LED 5907556033443		Clearance lamp LED, white, with reflector, 12-36V, holder on the fender, 0.5m cable with a QS075 connector.	10			59x39x29			120x80x165
FT-001 C LED 5907556005723		Clearance lamp LED, red, with reflector, 12-36V, flat mounting, 0.5m cable.	10			59x39x29			120x80x165
FT-001 C LED 5907556003217		Clearance lamp LED, red, with reflector, 12-36V, flat mounting, 0.5m cable with QS075 connector.	10			59x39x29			120x80x165
FT-001 CI LED 5907556005754		Clearance lamp LED, red, with reflector, 12-36V, on a short angled handle, 0.5m cable.	10			59x39x29			120x80x165
FT-001 CI LED 5907556005846		Clearance lamp LED, red, with reflector, 12-36V, on a short angled handle, 0.5m cable with a QS075 connector.	10			59x39x29			120x80x165
FT-001 CIV LED 5907556008861		Clearance lamp LED, red, with reflector, 12-36V, on a long angled handle, 0.5m cable.	10			59x39x29			120x80x165
FT-001 CIV LED 5907556008878		Clearance lamp LED, red, with reflector, 12-36V, on a long angled handle, 0.5m cable with a QS075 connector.	10			59x39x29			120x80x165
FT-001 CV LED 5907556033450		Clearance lamp LED, red, with reflector, 12-36V, holder on the fender, 0.5m cable.	10			59x39x29			120x80x165
FT-001 CV LED 5907556033467		Clearance lamp LED, red, with reflector, 12-36V, holder on the fender, 0.5m cable with a QS075 connector.	10			59x39x29			120x80x165
FT-001 Z LED 5907556005730		Clearance lamp LED, yellow, with reflector, 12-36V, flat mounting, 0.5m cable.	10			59x39x29			120x80x165
FT-001 Z LED 5907556003941		Clearance lamp LED, yellow, with reflector, 12-36V, flat mounting, 0.5m cable with QS075 connector.	10			59x39x29			120x80x165
FT-001 ZI LED 5907556005761		Clearance lamp LED, yellow, with reflector, 12-36V, on a short angled handle, 0.5m cable.	10			59x39x29			120x80x165
FT-001 ZI LED 5907556005853		Clearance lamp LED, yellow, with reflector, 12-36V, on a short angled handle, 0.5m cable with a QS075 connector.	10			59x39x29			120x80x165



- 1-functional LED clearance lamp
- european E9 homologation
- ElectroMagnetic Compatibility – EMC certificate
- shock-resistance – PC lampshade
- optional polarity connection

Lamp functions:

- clearance light

Technical specification:

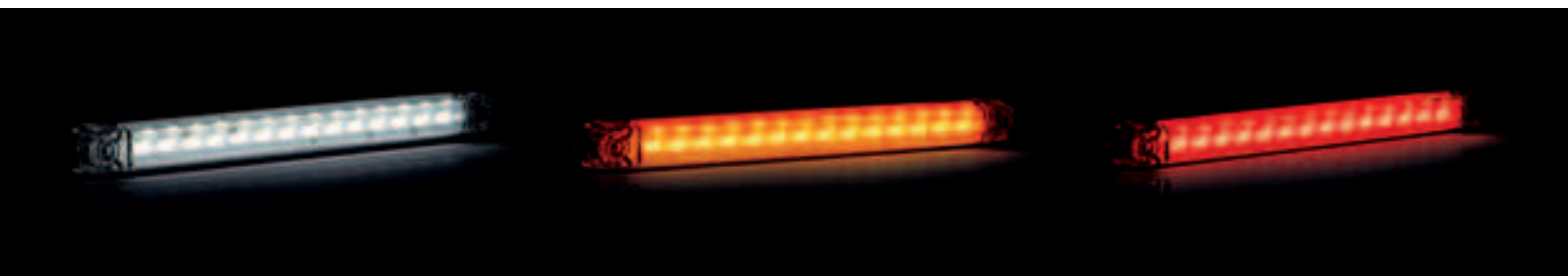
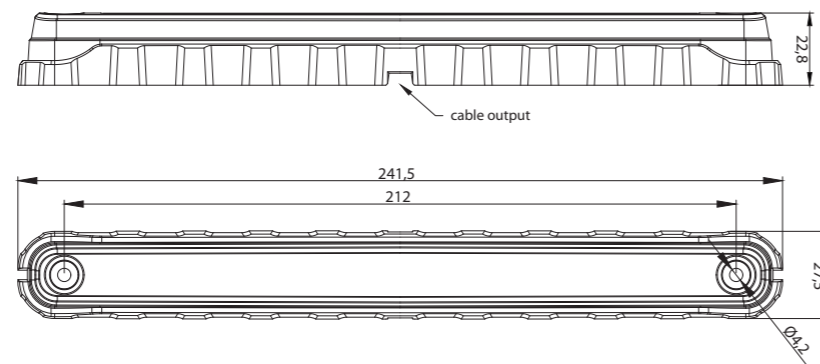
- supply voltage: 12–36V DC
- operating temperature: –40°C to +55°C
- lamp is resistant to any weather conditions
- lamp is fully airtight

Power consumption:

- clearance light: 12V/24V = 0.09A/0.09A

Power consumption (rated power):

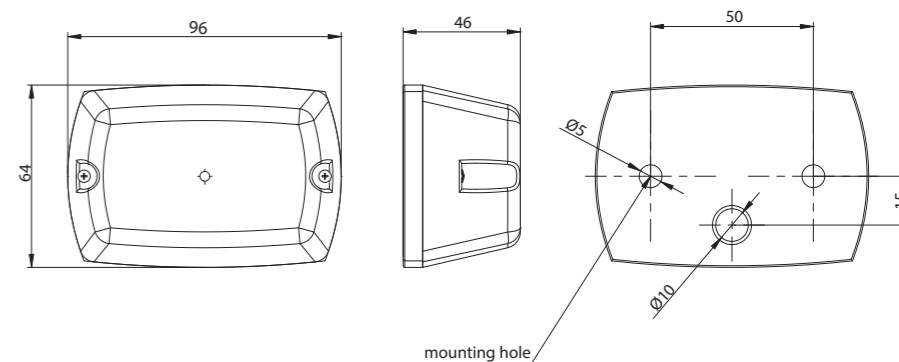
- clearance light: 12V/24V = 1.1W/2.2W



SM LEC

ID/EAN	Photo	Description	Unit pack		Multipack / carton			Multipack / pallet		
			qty.	kg	qty.	cm	kg	qty.	cm	kg
FT-092 B LED 5907556017825		Clearance Lamp LED 12-36V, white, cable 0,15m.	1	1,060	300	59x39x29	10,60	6000	120x80x165	212,00
FT-092 Z LED 5907556017849		Clearance Lamp LED 12-36V, yellow, cable 0,15m.	1	1,060	300	59x39x29	10,60	6000	120x80x165	212,00
FT-092 C LED 5907556017832		Clearance Lamp LED 12-36V, red, cable 0,15m.	1	1,060	300	59x39x29	10,60	6000	120x80x165	212,00

Omega holder is not included in the basic accessories of the lamp.



SM

ID/EAN	Photo	Description	Unit pack		Multipack / carton			Multipack / pallet		
			qty.	kg	qty.	cm	kg	qty.	cm	kg
FT-006 B 5907556001091		White clearance lamp.	10	0.71	200	59x39x29	14.20	4000	120x80x165	309.00
FT-006 Z 5907556001138		Yellow clearance lamp.	10	0.71	200	59x39x29	14.20	4000	120x80x165	309.00
FT-006 C 5907556001114		Red clearance lamp.	10	0.71	200	59x39x29	14.20	4000	120x80x165	309.00
FT-006 K B/Z/C 5907556001107 5907556001145 5907556001121		Lampshade FT-006 B / Z / C.	10							



3-functional universal LED rear lamp
European E9 homologation
ElectroMagnetic Compatibility – EMC certificate
Shock-resistance – PC lampshade
Reverse polarity protection system

Technical specification:

- supply voltage: 12–36V DC
- operating temperature: –40°C to +55°C
- lamp is resistant to any weather conditions
- lamp is fully airtight IP69
- cable out 1 m

Funkcje lampy:

- rear running light
- fog light
- reversing light

Pobór prądu:

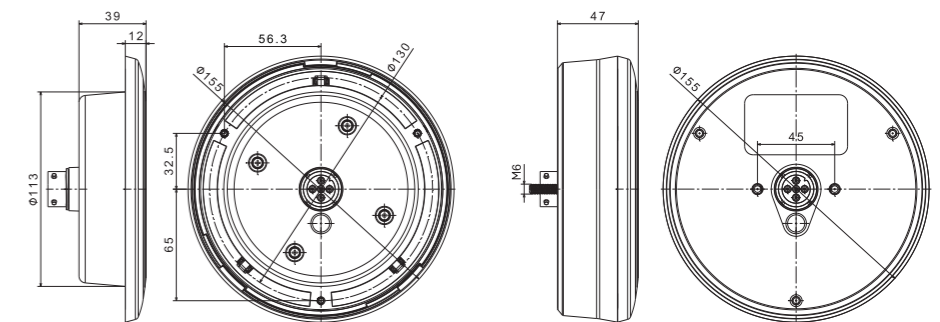
- rear running light: 12V/24V = 0.25A/0.125A
- fog light: 12V/24V = 0.3A/0.15A
- reversing light: 12V/24V = 0.2A/0.1A

Pobór mocy (moc znamionowa):

- rear running light: 12V/24V = 3W/3W
- fog light: 12V/24V = 3.6W/3.6W
- reversing light: 12V/24V = 2.4W/2.4W

**The products are available in two frame colors:**

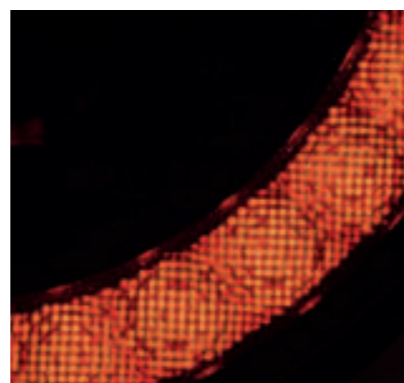
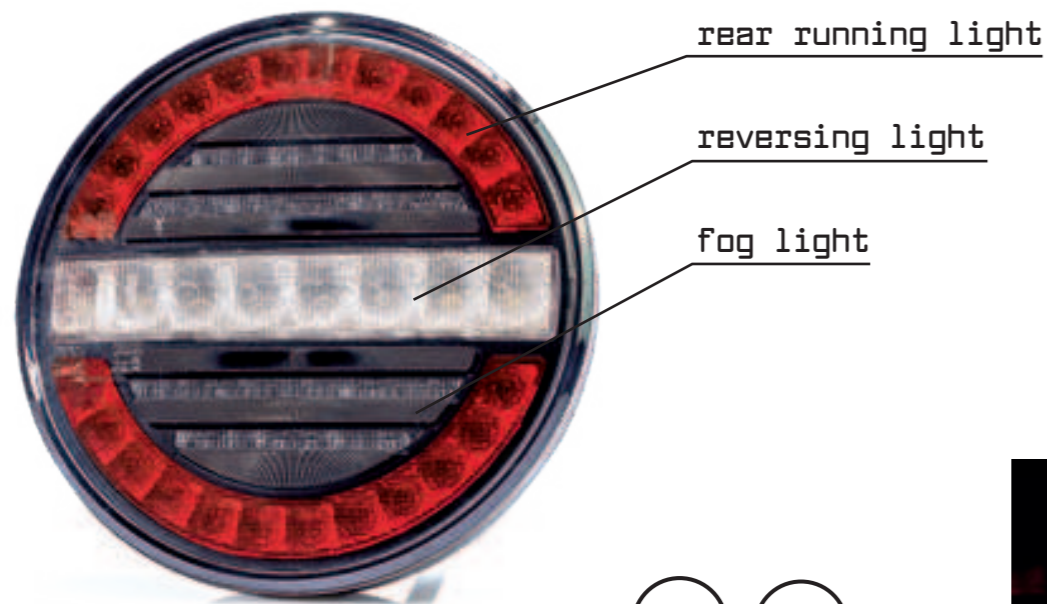
- **BLACK** - made of high Quality plastic
- **CHROME** - covered with a high Quality *microporus nickel*, coating ensuring corrosion resistance, and a premium chrome coating dedicated to the Automotive industry



REVERSING Lamps

The purpose of these products is to **signal** to other road users the **driver's intention to reverse**. The lamp turns on automatically when we **use reverse gear**.

ID/EAN	Photo	Description	Unit pack		Multipack / carton			Multipack / pallet		
			qty.	kg	qty.	cm	kg	qty.	cm	kg
FT-314 LED CHROME 5907556031524		Universal LED 3-functional POSITON/ FOG/ REVERSING, 12/36V, round recessed lamp, cable 1m.	1	0,400	31	59x39x29	12,400	620	120x80x165	248,00
FT-314 LED CHROME BAJONET 5907556031531		Universal LED 3-functional POSITON/ FOG/ REVERSING, 12/36V, round recessed lamp, 5PIN bayonet connector.	1	0,352	31	59x39x29	10,912	620	120x80x165	218,24
FT-314 LED BLACK 5907556031548		Universal LED 3-functional POSITON/ FOG/ REVERSING, 12/36V, round recessed lamp, cable 1m.	1	0,390	31	59x39x29	12,090	620	120x80x165	241,80
FT-314 LED BLACK BAJONET 5907556031555		Universal LED 3-functional POSITON/ FOG/ REVERSING, 12/36V, round recessed lamp, 5PIN bayonet connector.	1	0,342	31	65x53x47	10,602	620	120x80x165	212,04
FT-313/314 CHROME FRAME 5907556031562		Frame with chrome coating for FT-313 LED and FT-314 LED lamps.	1	0,032		65x53x47			120x80x165	
FT-313/314 BLACK FRAME 5907556031579		Black frame for FT-313 LED and FT-314 LED lamps.	1	0,022		65x53x47			120x80x165	
FT-313/314 COVER 5907556031586		Rear lamp housing for flat mounting of FT-313 LED and FT-314 LED lamps.	1	0,104		65x53x47			120x80x165	



3-functional LED lamp – low power consumption
European E9 homologation
ElectroMagnetic Compatibility – EMC certificate
Shock-resistance – PC lampshade
Reverse polarity protection system
The lamp depth is only 35 mm
Crystal-like position light

In the lamp it has been used an innovative position light that imitates microcrystals. This solution creates the illusion of living light, even while looking at the lamp from different angles.

Lamp functions:

- rear running light
- reversing light
- fog light

Technical specification:

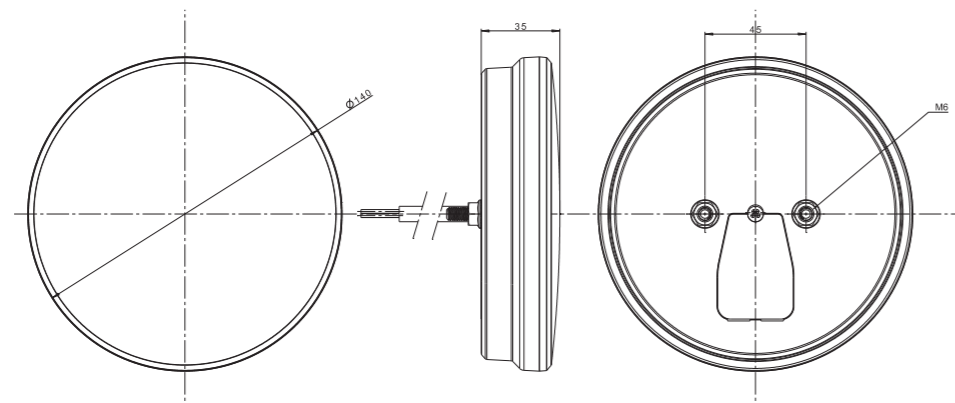
- supply voltage: 12–36V DC
- operating temperature: –40°C to +55°C
- lamp is resistant to any weather conditions
- lamp is fully airtight
- cable out 1 m

Power consumption:

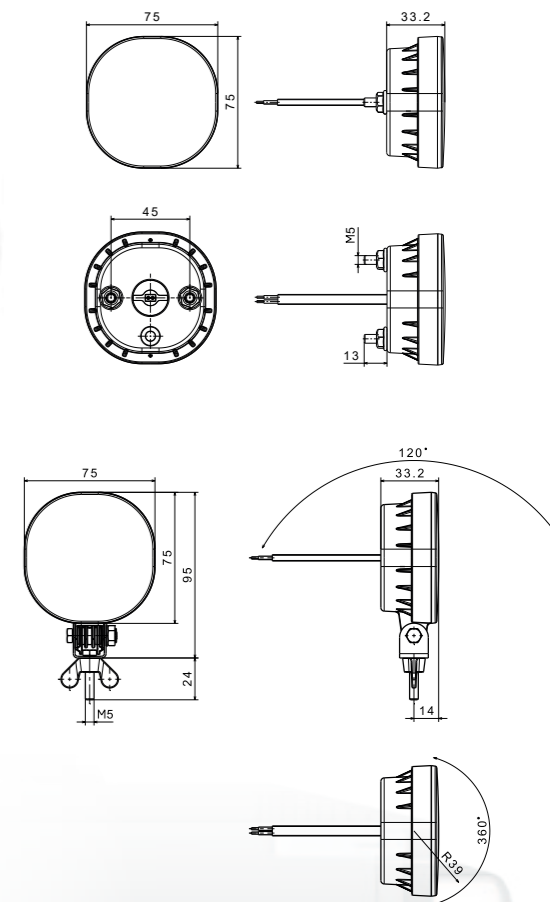
- rear running light: 12V/24V = 0.05A/0.05A
- reversing light: 12V/24V = 0.2A/0.12A
- fog light: 12V/24V = 0.25A/0.15A

Power consumption / Rated power:

- rear running light: 12V/24V = 0.6W/1.2W
- reversing light: 12V/24V = 2.4W/3W
- fog light 12V/24V = 3W/3.6W



ID/EAN	Photo	Description	Unit pack		Multipack / carton			Multipack / pallet		
			qty.	kg	qty.	cm	kg	qty.	cm	kg
FT-214 LED 5907556015531		Universal LED 3 functional lamp POSITION/ FOG/ REVERSING, 12 / 24V, round with 1.0 m wiring loom.	1	0.386	50	59x39x29	20	1000	120x80x165	425.00



1-functional LED lamp – low power consumption
European E9 homologation
ElectroMagnetic Compatibility – EMC certificate, R10
shock-resistance – PC lampshade
optional polarity connection

Lamp functions:

- reversing light

Technical specification:

- Universal supply voltage: 12–36V DC
- Operating temperature: –40°C to +55°C
- light flux: 200 lm
- Lamp is resistant to any weather conditions
- Lamp is fully airtight

Power consumption:

- reversing light: 12V/24V = 0.25A/0.125A

Power consumption (rated power):

- reversing light: 12V/24V = 3W/3W



ID/EAN	Photo	Description	Unit pack		Multipack / carton			Multipack / pallet		
			qty.	kg	qty.	cm	kg	qty.	cm	kg
FT-410 LED 5907556013858		LED reversing lamp with a 0.5 m cable.	1	0.140	112	59x39x29	15.68	2240	120x80x165	338.60
FT-410 LED P 5907556014107		LED P reversing lamp with a 0.5 m cable and a stud mount.	1	0.150	112	59x39x29	16.80	2240	120x80x165	361.00
FT-410 LED SS 5907556013865		LED reversing lamp with a 0.5 m cable ended Super Seal connector.	1	0.150	112	59x39x29	16.80	2240	120x80x165	361.00
FT-410 LED SS P 5907556014114		LED P reversing lamp with a 0.5 m cable ended Super Seal connector and a stud mount.	1	0.160	112	59x39x29	17.92	2240	120x80x165	383.40



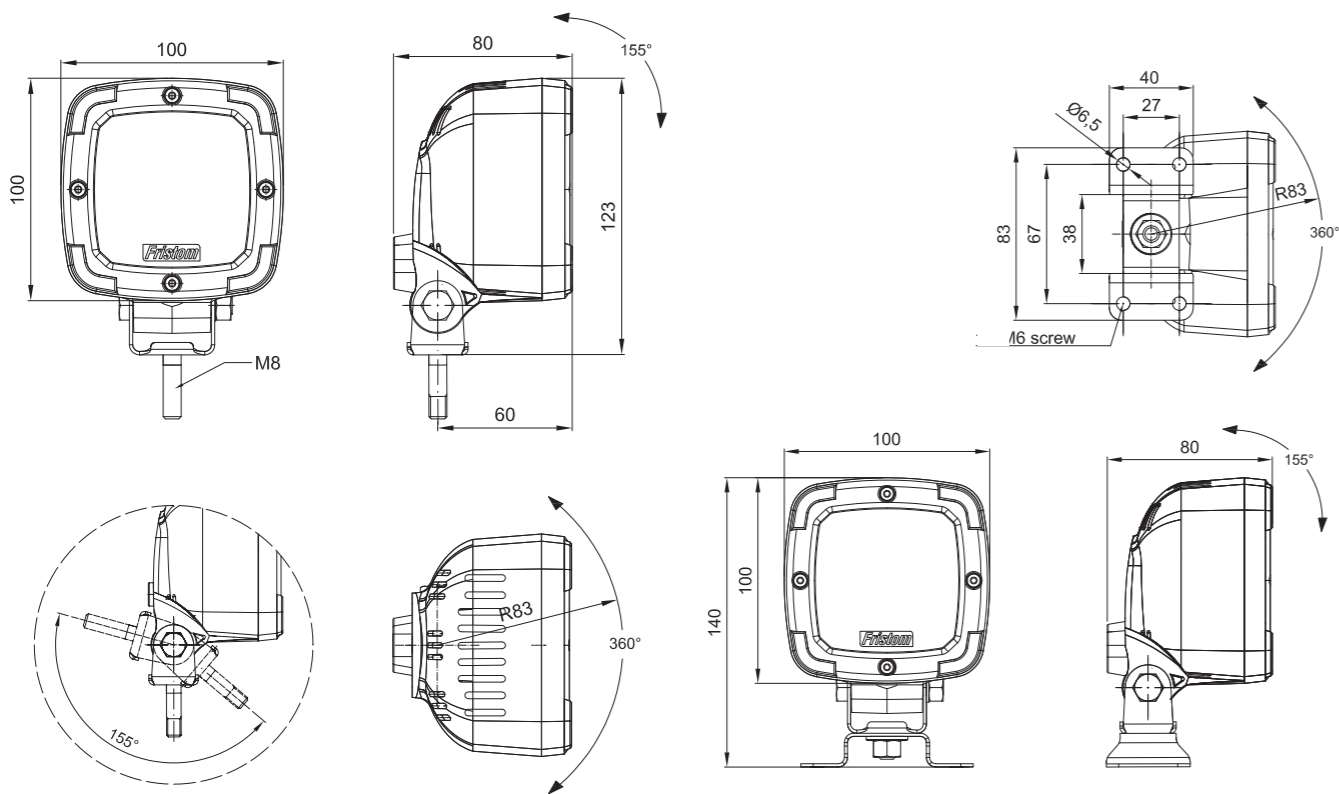
- 1-functional universal LED reversing lamp – low power consumption
- european E9 homologation
- ElectroMagnetic Compatibility – EMC certificate
- shock-resistance – PC lampshade
- optional polarity connection
- integrated 2x0.75 mm² cable

Lamp functions:
- reversing light

Technical specification:
- supply voltage: 12–36V DC
- operating temperature: –40°C to +55°C
- lamp is resistant to any weather conditions
- lamp is fully airtight

Power consumption:
- reversing light: 12V/24V = 0.28A/0.14A

Power consumption / Rated power:
- reversing light: 12V/24V = 3.5W/3.5W



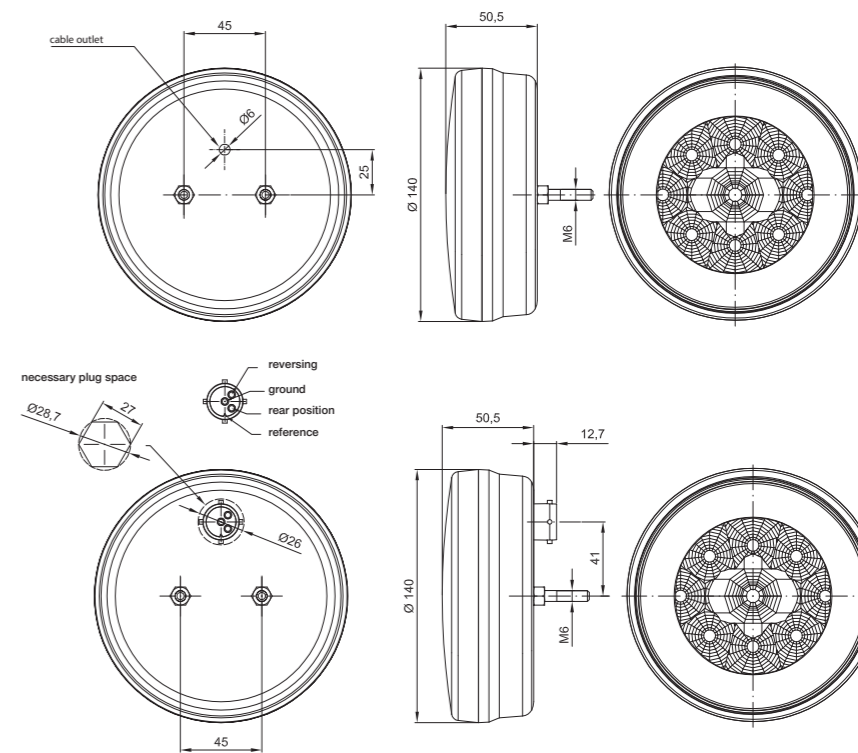
- 2-functional universal LED reversing lamp – low power consumption
- european E9 homologation
- ElectroMagnetic Compatibility – EMC certificate
- shock-resistance – PC lampshade
- reverse polarity protection system

Lamp functions:
- rear running light
- reversing light

Technical specification:
- supply voltage: 12–36V DC
- operating temperature: –40°C to +55°C
- lamp is resistant to any weather conditions
- lamp is fully airtight

Power consumption:
- running light: 12V/24V = 0.1A/0.1A
- reversing light: 12V/24V = 0.2A/0.2A

Power consumption / Rated power:
- running light: 12V/24V = 1.2W/2.4W
- reversing light: 12V/24V = 2.5W/5W



ID/EAN	Photo	Description	Unit pack		Multipack / carton			Multipack / pallet		
			qty.	kg	qty.	cm	kg	qty.	cm	kg
FT-036 REV LED 5907556006317		Universal LED reversing lamp with a joint handle (black housing).	1	0.55	50	59x39x29	27.50	1000	120x80x165	575.00
Uchwyt „OMEGA” 5907556006010		«OMEGA» mounting holder of galvanized metal sheet (FT-036 lamps).	10	0.60						

ID/EAN	Photo	Description	Unit pack		Multipack / carton			Multipack / pallet		
			qty.	kg	qty.	cm	kg	qty.	cm	kg
FT-112 LED 5907556007864		Universal LED reversing lamp 12 / 24V, round with position light and 1.0 m wiring loom.	1	0.50	40	59x39x29	20.00	800	120x80x165	425.00
FT-112 LED BAJONET 5907556007871		Universal LED reversing lamp 12 / 24V, round with position light and 5 PIN bayonet connector.	1	0.40	40	59x39x29	16.00	800	120x80x165	345.00



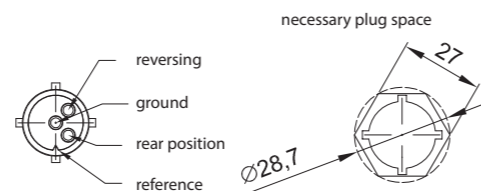
2-functional Universal LED reversing lamp – low power consumption
 - european E9 homologation
 - ElectroMagnetic Compatibility – EMC certificate
 - shock-resistance – PC lampshade
 - reverse polarity protection system

Lamp functions:
 - rear running light
 - reversing light

Technical specification:
 - supply voltage: 12–36V DC
 - operating temperature: –40°C to +55°C
 - lamp is resistant to any weather conditions
 - lamp is fully airtight

Power consumption:
 - running light: 12V/24V = 0.06A/0.06A
 - reversing light: 12V/24V = 0.2A/0.1A

Power consumption / Rated power:
 - running light: 12V/24V = 0.75W/1.5W
 - reversing light: 12V/24V = 2.5W/2.5W



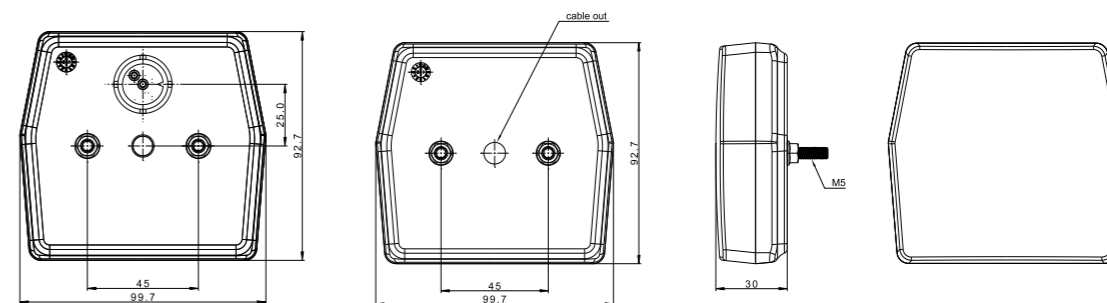
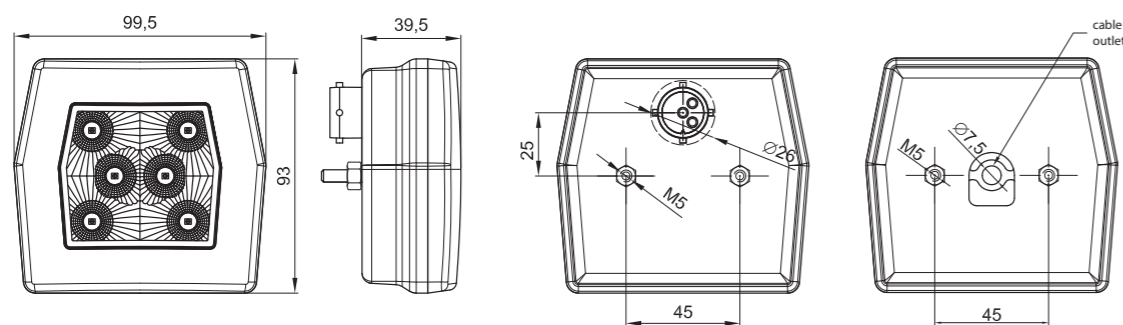
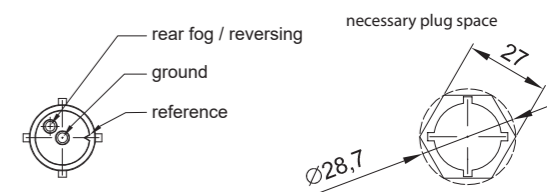
Universal LED reversing lamp – low power consumption
 - european E9 homologation
 - ElectroMagnetic Compatibility – EMC certificate
 - shock-resistance – PC lampshade
 - reverse polarity protection system

Lamp functions:
 - reversing light

Technical specification:
 - supply voltage: 12–15V DC
 - operating temperature: –40°C to +55°C
 - lamp is resistant to any weather conditions
 - lamp is fully airtight

Power consumption:
 - reversing light: 12V = 0.2A

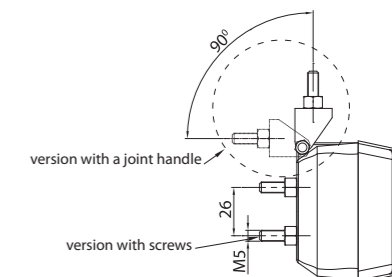
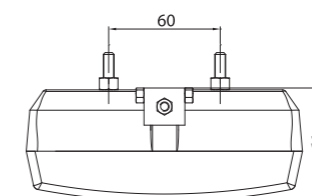
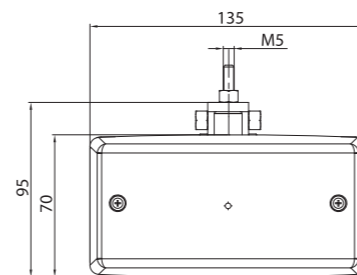
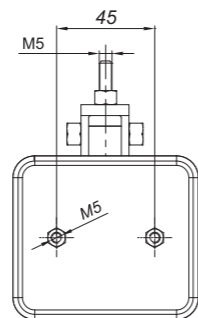
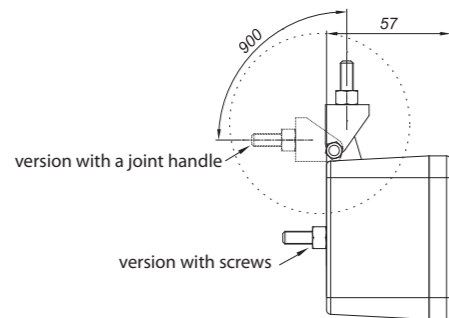
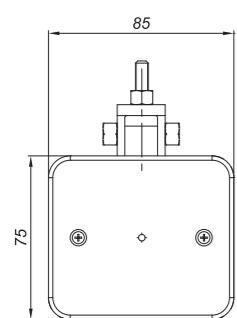
Power consumption / Rated power:
 - reversing light: 12V = 2.4W



ID/EAN	Photo	Description	Unit pack		Multipack / carton			Multipack / pallet		
			qty.	kg	qty.	cm	kg	qty.	cm	kg
FT-124 LED 5907556008960		Universal LED 2-functional rear reversing lamp 12/ 24V, round with a 1 m wiring loom.	1	0.26	108	59x39x29	28.08	2160	120x80x165	586.60
FT-124 LED BAJONET 5907556008977		Universal LED 2-functional rear reversing lamp 12/ 24V, round with 5 PIN bayonet connector.	1	0.21	108	59x39x29	22.68	2160	120x80x165	478.60



ID/EAN	Photo	Description	Unit pack		Multipack / carton			Multipack / pallet		
			qty.	kg	qty.	cm	kg	qty.	cm	kg
FT-224 LED 907556015241		Universal LED 1-functional rear reversing lamp 12V, round with a 1 m wiring loom.	1	0.214	108	59x39x29	23.112	2160	120x80x165	487.24
FT-224 LED BAJONET 5907556015258		Universal LED 1-functional rear reversing lamp 12V, round with 5 PIN bayonet connector.	1	0.189	108	59x39x29	20.412	2160	120x80x165	433.24



ID/EAN	Photo	Description	Unit pack		Multipack / carton			Multipack / pallet		
			qty.	kg	qty.	cm	kg	qty.	cm	kg
MD-040 S		Reversing lamp mounted with 2 M5 screws.	1	0.11	150	59x39x29	16.50	3000	120x80x165	355.00
MD-040 P		Reversing lamp mounted with a joint handle.	1	0.13	150	59x39x29	19.50	3000	120x80x165	415.00
MD-040 K		Lampshade MD-040.	5							

ID/EAN	Photo	Description	Unit pack		Multipack / carton			Multipack / pallet		
			qty.	kg	qty.	cm	kg	qty.	cm	kg
DOB-051 P BP		Reversing lamp mounted with a joint (without cable).	1	0.18	80	59x39x29	14.40	1600	120x80x165	313.00
DOB-051 P ZP		Reversing lamp mounted with a joint (with a cable).	1	0.18	80	59x39x29	14.40	1600	120x80x165	313.00
DOB-051 S BP		Reversing lamp mounted with 2 M5 screws (without cable).	1	0.16	80	59x39x29	12.80	1200	120x80x165	217.00
DOB-051 S ZP		Reversing lamp mounted with 2 M5 screws (with a cable).	1	0.16	80	59x39x29	12.80	1200	120x80x165	217.00
DOB-051 K		Lampshade DOB-051.	5							



FOG *Lamps*

Fog lamps ensure adequate
visibility in unfavourable weather conditions.
They are used only in conditions
of insufficient air transparency



3-functional universal LED rear lamp
 European E9 homologation
 ElectroMagnetic Compatibility – EMC certificate
 Shock-resistance – PC lampshade
 Reverse polarity protection system

Technical specification:

- supply voltage: 12–36V DC
- operating temperature: –40°C to +55°C
- lamp is resistant to any weather conditions
- lamp is fully airtight IP69
- cable out 1 m

Funkcje lampy:

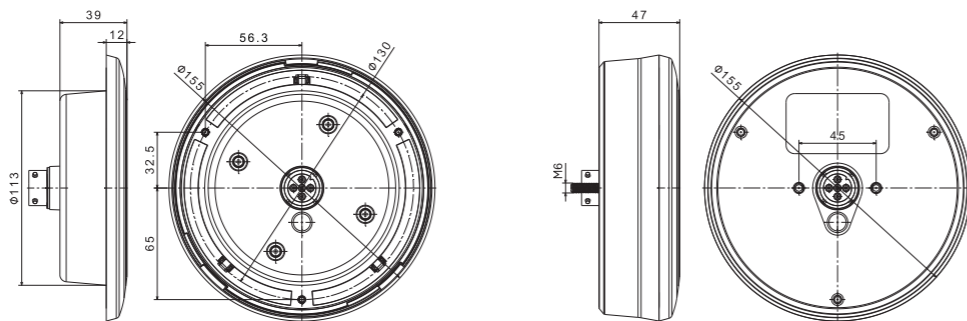
- rear running light
- fog light
- reversing light

Pobór prądu:

- rear running light: 12V/24V = 0.25A/0.125A
- fog light: 12V/24V = 0.3A/0.15A
- reversing light: 12V/24V = 0.2A/0.1A

Pobór mocy (moc znamionowa):

- rear running light: 12V/24V = 3W/3W
- fog light: 12V/24V = 3.6W/3.6W
- reversing light: 12V/24V = 2.4W/2.4W



ID/EAN	Photo	Description	Unit pack		Multipack / carton			Multipack / pallet		
			qty.	kg	qty.	cm	kg	qty.	cm	kg
FT-314 LED CHOME 5907556031524		Universal LED 3-functional POSITON/ FOG/ REVERSING, 12/36V, round recessed lamp, cable 1m.	1	0,400	31	59x39x29	12,400	620	120x80x165	248,00
FT-314 LED CHOME BAJONET 5907556031531		Universal LED 3-functional POSITON/ FOG/ REVERSING, 12/36V, round recessed lamp, 5PIN bayonet connector.	1	0,352	31	59x39x29	10,912	620	120x80x165	218,24
FT-314 LED BLACK 5907556031548		Universal LED 3-functional POSITON/ FOG/ REVERSING, 12/36V, round recessed lamp, cable 1m.	1	0,390	31	59x39x29	12,090	620	120x80x165	241,80
FT-314 LED BLACK BAJONET 5907556031555		Universal LED 3-functional POSITON/ FOG/ REVERSING, 12/36V, round recessed lamp, 5PIN bayonet connector.	1	0,342	31	65x53x47	10,602	620	120x80x165	212,04
FT-313 CHROM FRAME 5907556031562		Frame with chrome coating for FT-313 LED and FT-314 LED lamps.	1	0,032		65x53x47			120x80x165	
FT-313 BLACK FRAME 5907556031579		Black frame for FT-313 LED and FT-314 LED lamps.	1	0,022		65x53x47			120x80x165	
FT-313 COVER 5907556031586		Rear lamp housing for flat mounting of FT-313 LED and FT-314 LED lamps.	1	0,104		65x53x47			120x80x165	



1-functional LED lamp
 european E9 homologation
 ElectroMagnetic Compatibility – EMC certificate, R10
 shock-resistance – PC lampshade
 optional polarity connection

Technical specification:

- Universal supply voltage: 12–36V DC
- Operating temperature: –40°C do +55°C
- Lamp is resistant to any weather conditions
- Lamp is fully airtight

Lamp functions:

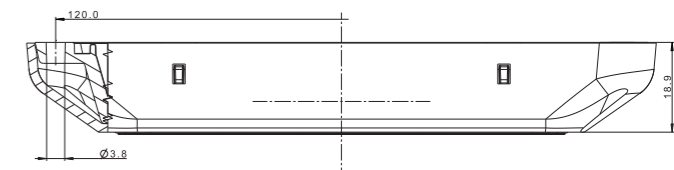
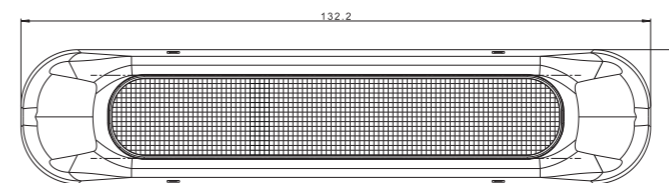
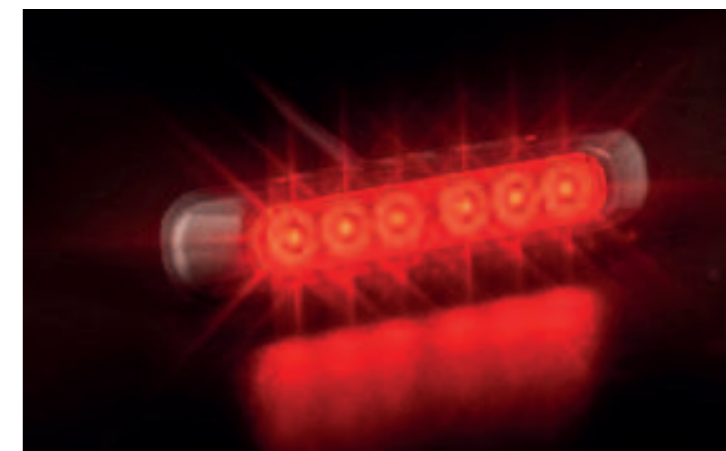
- fog light

Power consumption:

- fog light: 12V/24V = 0.2A/0.1A

Power consumption (rated power):

- fog light: 12V/24V = 2.5W/2.5W



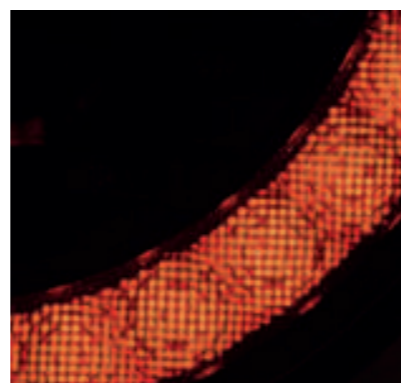
ID/EAN	Photo	Description	Unit pack		Multipack / carton			Multipack / pallet		
			qty.	kg	qty.	cm	kg	qty.	cm	kg
FT-332 LED 5907556029002		Universal LED rear lamp 12V/24V, 1-functional FOG, 1 m cable.	1			59x39x29				120x80x165



rear running light

reversing light

fog light



3-functional LED lamp – low power consumption
European E9 homologation
ElectroMagnetic Compatibility – EMC certificate
Shock-resistance – PC lampshade
Reverse polarity protection system
The lamp depth is only 35 mm
Crystal-like position light

In the lamp it has been used an innovative position light that imitates microcrystals. This solution creates the illusion of living light, even while looking at the lamp from different angles.

Lamp functions:

- rear running light
- reversing light
- fog light

Technical specification:

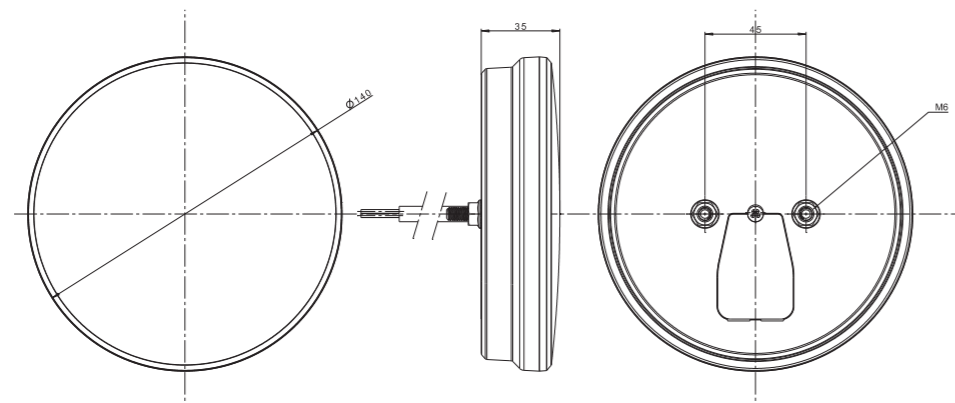
- supply voltage: 12–36V DC
- operating temperature: –40°C to +55°C
- lamp is resistant to any weather conditions
- lamp is fully airtight
- cable out 1 m

Power consumption:

- rear running light: 12V/24V = 0.05A/0.05A
- reversing light: 12V/24V = 0.2A/0.12A
- fog light: 12V/24V = 0.25A/0.15A

Power consumption / Rated power:

- rear running light: 12V/24V = 0.6W/1.2W
- reversing light: 12V/24V = 2.4W/3W
- fog light 12V/24V = 3W/3.6W



ID/EAN	Photo	Description	Unit pack		Multipack / carton			Multipack / pallet		
			qty.	kg	qty.	cm	kg	qty.	cm	kg
FT-214 LED 5907556015531		Universal LED 3 functional lamp POSITON/ FOR/ REVERSING, 12 / 24V, round with 1.0 m wiring loom.	1	0.386	50	59x39x29	20	1000	120x80x165	425.00



1-functional LED lamp – low power consumption
European E9 homologation
ElectroMagnetic Compatibility – EMC certificate, R10
shock-resistance – PC lampshade
optional polarity connection

Lamp functions:

- fog light

Technical specification:

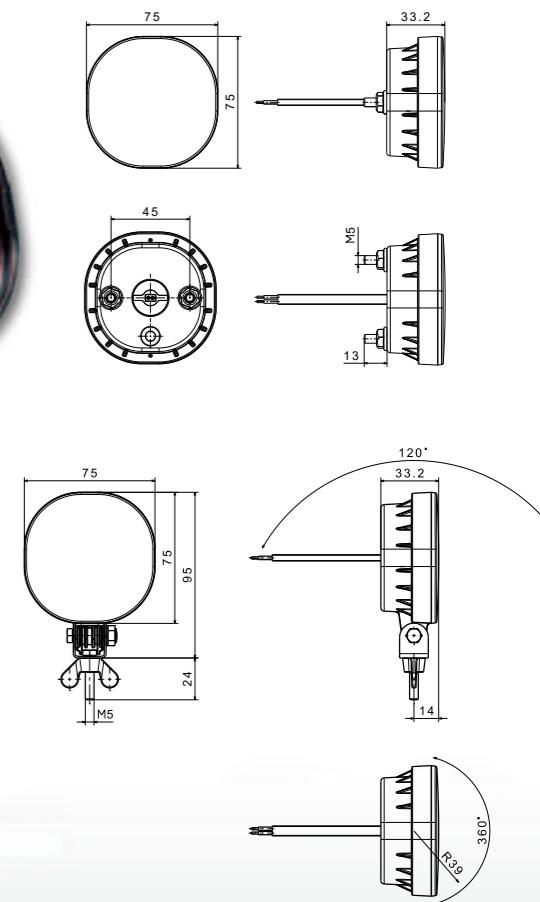
- Universal supply voltage: 12–36V DC
- Operating temperature: –40°C do +55°C
- Lamp is resistant to any weather conditions
- Lamp is fully airtight

Power consumption:

- fog light: 12V/24V = 0.25A/0.125A

Power consumption (rated power):

- fog light: 12V/24V = 3W/3W



ID/EAN	Photo	Description	Unit pack		Multipack / carton			Multipack / pallet		
			qty.	kg	qty.	cm	kg	qty.	cm	kg
FT-400 LED 5907556013834		LED fog lamp with a 0.5 m cable.	1	0.140	112	59x39x29	15.68	2240	120x80x165	338.60
FT-400 LED P 5907556014084		LED P fog lamp with a 0.5 m cable.	1	0.150	112	59x39x29	16.80	2240	120x80x165	361.00
FT-400 LED SS 5907556013841		LED fog lamp with a 0.5 m cable ended Super Seal connector.	1	0.150	112	59x39x29	16.80	2240	120x80x165	361.00
FT-400 LED SS P 5907556014091		LED P fog lamp with a 0.5 m cable ended Super Seal connector.	1	0.160	112	59x39x29	17.92	2240	120x80x165	383.40



EMC E9



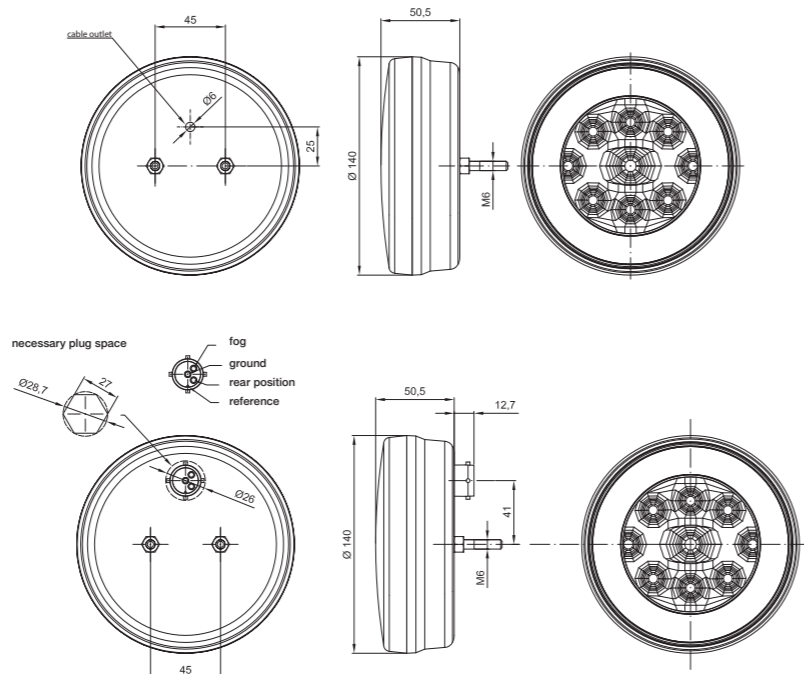
2-functional universal LED fog lamp – low power consumption
 - european E9 homologation
 - ElectroMagnetic Compatibility – EMC certificate
 - shock-resistance – PC lampshade
 - reverse polarity protection system

Lamp functions:
 - rear running light
 - fog light

Technical specification:
 - supply voltage: 12–36V DC
 - operating temperature: –40°C to +55°C
 - lamp is resistant to any weather conditions
 - lamp is fully airtight

Power consumption:
 - running light: 12V/24V = 0.1A/0.1A
 - fog light: 12V/24V = 0.25A/0.25A

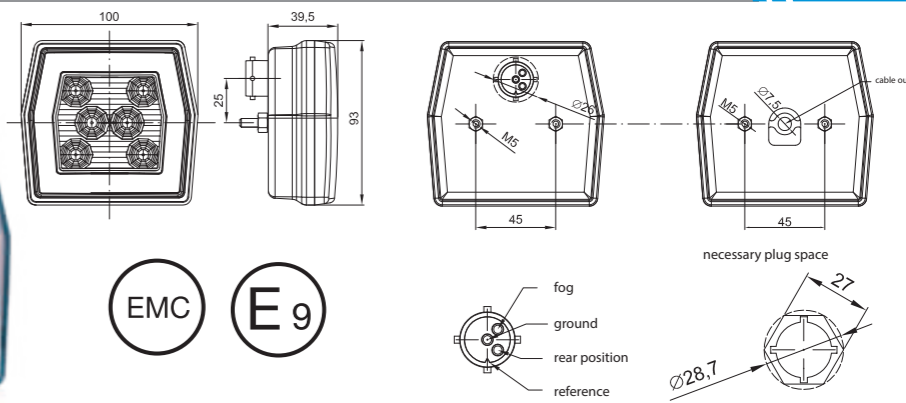
Power consumption / Rated power:
 - running light: 12V/24V = 1.2W/2.4W
 - fog light: 12V/24V = 3W/6W



ID/EAN	Photo	Description	Unit pack		Multipack / carton			Multipack / pallet		
			qty.	kg	qty.	cm	kg	qty.	cm	kg
FT-111 LED 5907556007840		Universal LED fog lamp 12 / 24V, round with position light and 1.0 m wiring loom.	1	0.50	40	59x39x29	20.00	800	120x80x165	425.00
FT-111 LED BAJONET 5907556007857		Universal LED fog lamp 12 / 24V, round with position light and 5 PIN bayonet connector.	1	0.40	40	59x39x29	16.00	800	120x80x165	345.00



EMC E9



2-functional universal LED fog lamp – low power consumption
 - european E9 homologation
 - ElectroMagnetic Compatibility – EMC certificate
 - shock-resistance – PC lampshade
 - reverse polarity protection system

Lamp functions:
 - reverse running light
 - fog light

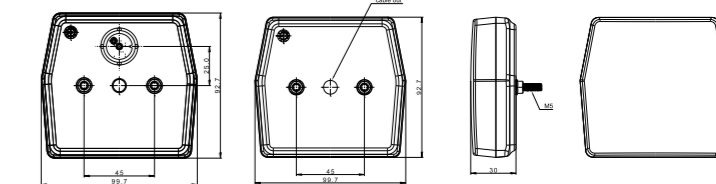
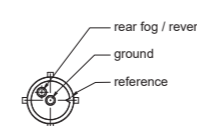
Technical specification:
 - supply voltage: 12–36V DC
 - operating temperature: –40°C to +55°C
 - lamp is resistant to any weather conditions
 - lamp is fully airtight

Power consumption:
 - running light: 12V/24V = 0.06A/0.06A
 - fog light: 12V/24V = 0.16A/0.08A

Power consumption / Rated power:
 - running light: 12V/24V = 0.75W/1.5W
 - fog light: 12V/24V = 2W/2W



ID/EAN	Photo	Description	Unit pack		Multipack / carton			Multipack / pallet		
			qty.	kg	qty.	cm	kg	qty.	cm	kg
FT-123 LED 5907556008304		Universal LED 2-functional rear fog lamp 12/24V with 1 m wiring loom.	1	0.26	108	59x39x29	28.08	2160	120x80x165	586.60
FT-123 LED BAJONET 5907556008311		Universal LED 2-functional rear fog lamp 12/ 24V, with a 5 PIN bayonet connector.	1	0.21	108	59x39x29	22.68	2160	120x80x165	478.60



EMC E9

Universal LED fog lamp – low power consumption
 - european E9 homologation
 - ElectroMagnetic Compatibility – EMC certificate
 - shock-resistance – PC lampshade
 - reverse polarity protection system

Lamp functions:
 - fog light

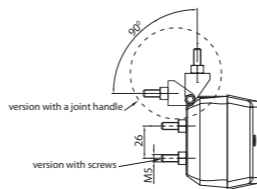
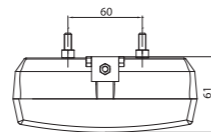
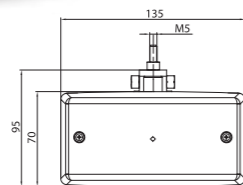
Technical specification:
 - supply voltage: 12-15V DC
 - operating temperature: –40°C to +55°C
 - lamp is resistant to any weather conditions
 - lamp is fully airtight

Power consumption:
 - fog light: 12V = 0.2A

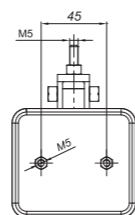
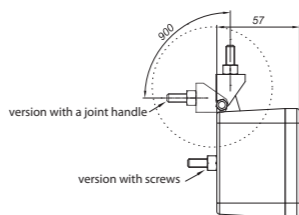
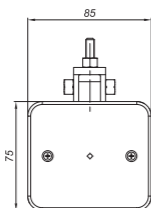
Power consumption / Rated power:
 - fog light: 12V = 2.4W



ID/EAN	Photo	Description	Unit pack		Multipack / carton			Multipack / pallet		
			qty.	kg	qty.	cm	kg	qty.	cm	kg
FT-223 LED 5907556015227		LED Universal LED 1-functional rear fog lamp 12V with 1 m wiring loom.	1	0.210	108	59x39x29	22.68	2160	120x80x165	478.60
FT-223 LED BAJONET 5907556015234		Universal LED 1-functional rear fog lamp 12V, with a 5 PIN bayonet connector.	1	0.190	108	59x39x29	20.52	2160	120x80x165	435.40



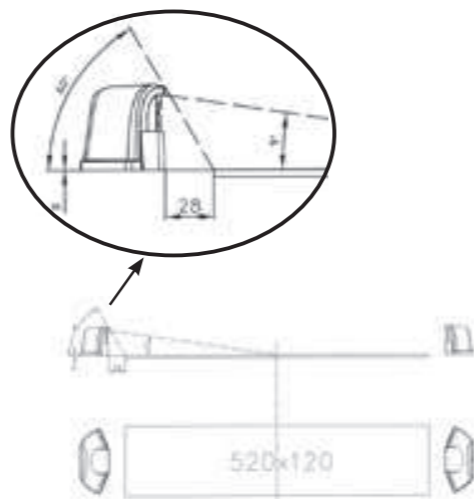
ID	Photo	Description	Unit pack		Multipack / carton			Multipack / pallet		
			qty.	kg	qty.	cm	kg	qty.	cm	kg
DOB-050 P BP		Fog lamp mounted with a joint (without a cable).	1	0.18	80	59x39x29	14.40	1600	120x80x165	313.00
DOB-050 P ZP		Fog lamp mounted with a joint (with a cable).	1	0.18	80	59x39x29	14.40	1600	120x80x165	313.00
DOB-050 S BP		Fog lamp mounted with 2 M5 screws (without a cable).	1	0.16	80	59x39x29	12.80	1200	120x80x165	217.00
DOB-050 S ZP		Fog lamp mounted with 2 M5 screws (with a cable).	1	0.16	80	59x39x29	12.80	1200	120x80x165	217.00
DOB-050 K		Lampshade DOB-050.	5							



ID	Photo	Description	Unit pack		Multipack / carton			Multipack / pallet		
			qty.	kg	qty.	cm	kg	qty.	cm	kg
MD-035 S		Fog lamp mounted with 2 M5 screws.	1	0.11	150	59x39x29	16.50	3000	120x80x165	355.00
MD-035 P		Fog lamp mounted with a joint.	1	0.11	150	59x39x29	16.50	3000	120x80x165	355.00
MD-035 K		Lampshade MD-035.	5							

Number PLATE LIGHT

License plate lamps are an **absolutely indispensable type of lighting on every vehicle, trailer and machine approved for road traffic**. Modern lighting, developed in LED technology, **clearly exposes license plate numbers at night and in unfavourable weather conditions.**



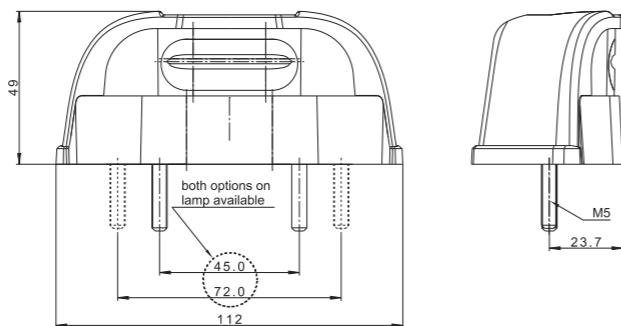
1-functional number plate LED lamp – low power consumption
 european E9 homologation
 ElectroMagnetic Compatibility – EMC certificate
 shock-resistance – PC lampshade
 optional polarity connection

Lamp functions:
 - license number plate light

Technical specification:
 - supply voltage: 12–36V DC
 - operating temperature: –40°C to +55°C
 - lamp is resistant to any weather conditions
 - lamp is fully airtight

Power consumption:
 - license plate light: 12V/24V = 0.06A/0.06A

Power consumption / Rated power:
 - license plate light: 12V/24V = 0.8W/1.5W



LT LED

ID/EAN	Photo	Description	Unit pack		Multipack / carton			Multipack / pallet		
			qty.	kg	qty.	cm	kg	qty.	cm	kg
FT-262 LED 5907556014053		Number plate LED lamp with cable 0.5 m.	1	0.102	200	59x39x29	20.40	4000	120x80x165	433.00
FT-262 LED QS075 5907556014039		Number plate LED lamp with a cable 0.5 m and a QS075 connector.	1	0.112	200	59x39x29	22.40	4000	120x80x165	473.00
FT-262 LED QS150 5907556014046		Number plate LED lamp with a cable 0.5 m and a QS150 connector.	1	0.116	200	59x39x29	23.20	4000	120x80x165	489.00



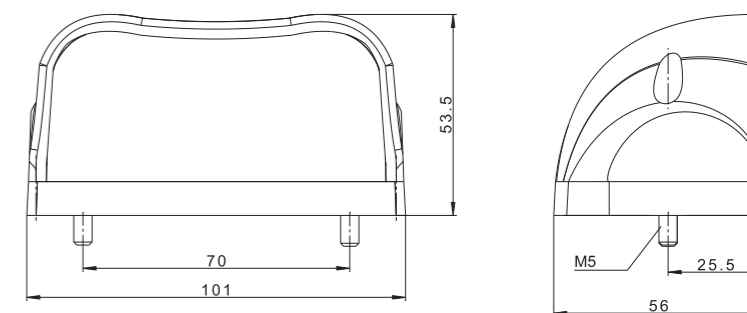
1-functional number plate LED lamp – low power consumption
 - european E9 homologation
 - ElectroMagnetic Compatibility – EMC certificate
 - shock-resistance – PC lampshade
 - optional polarity connection

Lamp functions:
 - license number plate light

Technical specification:
 - supply voltage: 12–36V DC
 - operating temperature: –40°C to +55°C
 - lamp is resistant to any weather conditions
 - lamp is fully airtight

Power consumption:
 - license plate light: 12V/24V = 0.08A/0.08A

Power consumption / Rated power:
 - license plate light: 12V/24V = 1W/2W



LT LED

ID/EAN	Photo	Description	Unit pack		Multipack / carton			Multipack / pallet		
			qty.	kg	qty.	cm	kg	qty.	cm	kg
FT-026 LED 5907556002180		Number plate LED lamp without cable.	1	0.11	150	59x39x29	16.50	3000	120x80x165	355.00
FT-026 LED *QS075 5907556005044		Number plate LED lamp with a cable and a QS075 connector.	1	0.15	150	59x39x29	22.50	3000	120x80x165	475.00
FT-026 LED *QS150 5907556005037		Number plate LED lamp with a cable and a QS150 connector.	1	0.15	150	59x39x29	22.50	3000	120x80x165	475.00

* Custom product – lead time will be determined and provided by phone or in writing.



RECESSED license plate LAMP

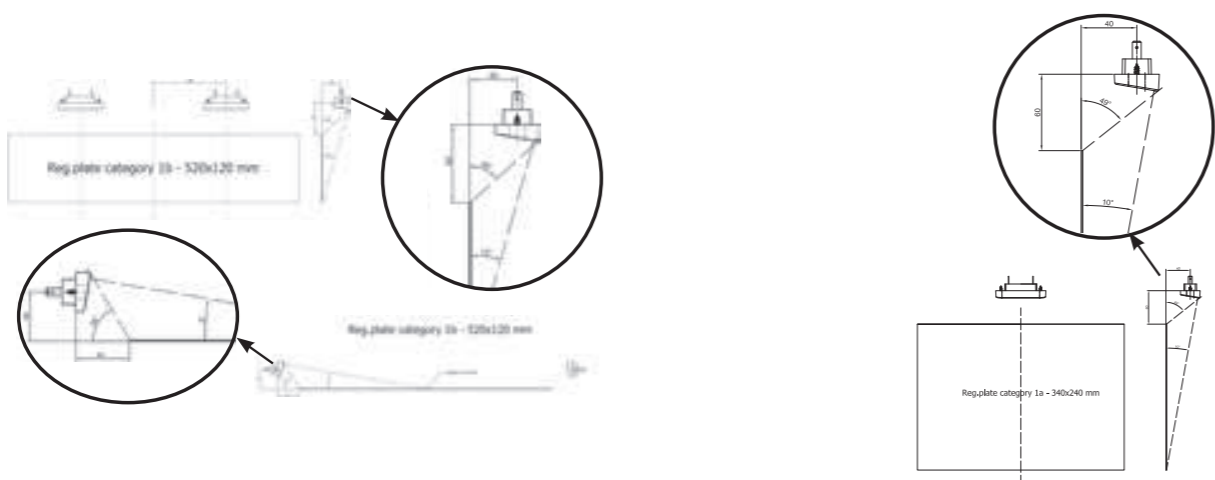
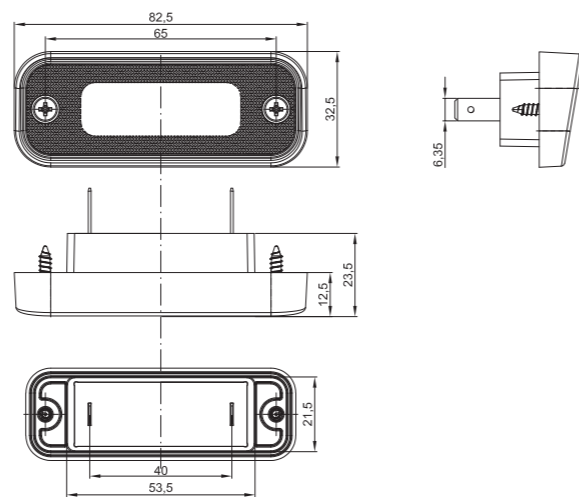
1-functional number plate LED lamp – low power consumption
 European E9 homologation
 ElectroMagnetic Compatibility – EMC certificate
 Shock-resistance – PC lampshade
 Optional polarity connection

Lamp functions:
 - license number plate light

Technical specification:
 - supply voltage: 12–36V DC
 - operating temperature: –40°C do +55°C
 - lamp is resistant to any weather conditions
 - lamp is fully airtight

Power consumption:
 - 12V/24V = 0.05A/0.05A

Power consumption / Rated power:
 - 12V/24V = 0.6W/1.2W



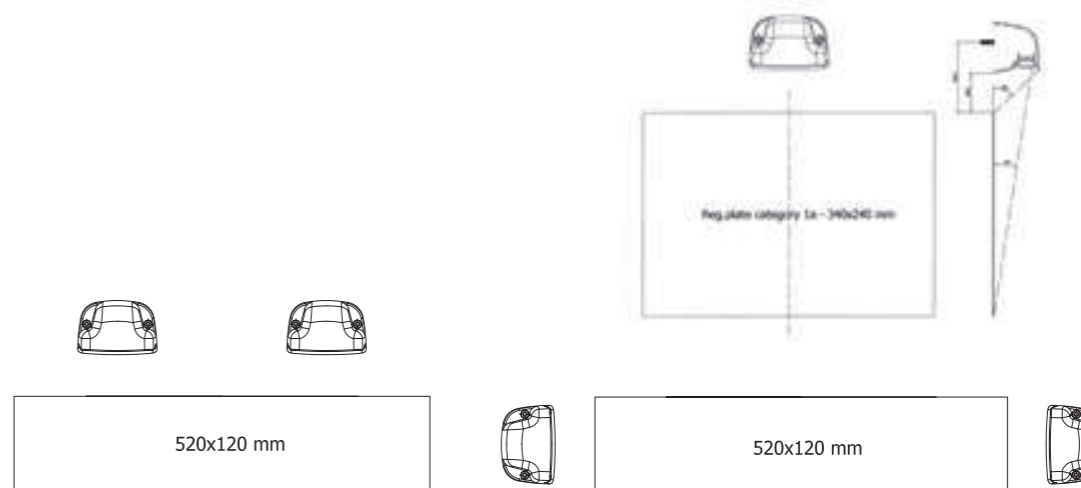
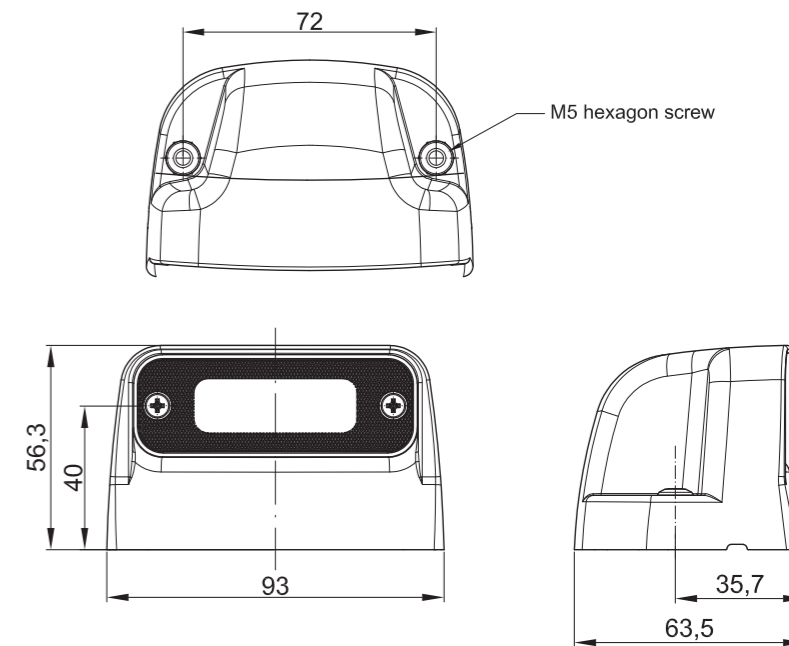
1-functional number plate LED lamp – low power consumption
 European E9 homologation
 ElectroMagnetic Compatibility – EMC certificate
 Shock-resistance – PC lampshade
 Optional polarity connection

Lamp functions:
 - license number plate light

Technical specification:
 - supply voltage: 12–36V DC
 - operating temperature: –40°C do +55°C
 - lamp is resistant to any weather conditions
 - lamp is fully airtight

Power consumption:
 - 12V/24V = 0.05A/0.05A

Power consumption / Rated power:
 - 12V/24V = 0.6W/1.2W



ID/EAN	Photo	Description	Unit pack		Multipack / carton			Multipack / pallet		
			qty.	kg	qty.	cm	kg	qty.	cm	kg
FT-263 LED 5907556015609		Recessed LED license plate lamp, 12-36V without cable, with F1 contacts.	1	0,032	400	59x39x29	12,80	8000	120x80x165	256,00

ID/EAN	Photo	Description	Unit pack		Multipack / carton			Multipack / pallet		
			qty.	kg	qty.	cm	kg	qty.	cm	kg
FT-263/1 LED 5907556016859		LED license plate lamp, 12-36V without cable, with F1 contacts.	1	0,092	150	59x39x29	14,65	3000	120x80x165	318,00



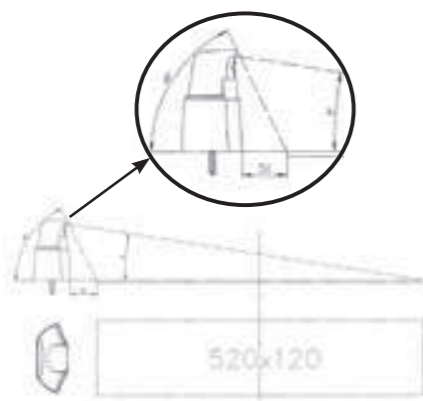
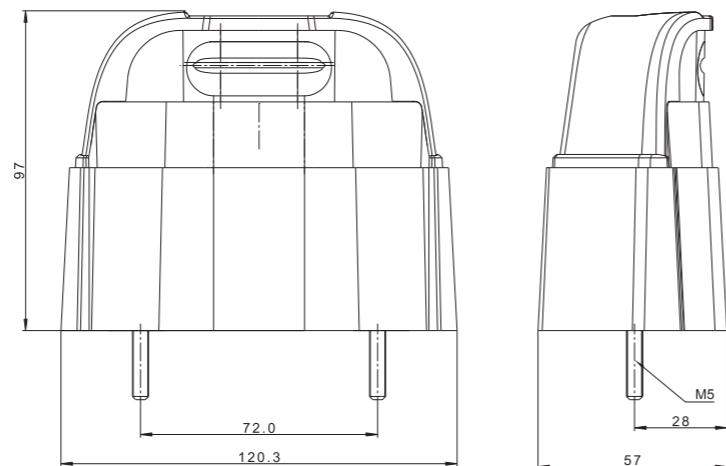
1-functional number plate LED lamp – low power consumption
 european E9 homologation
 ElectroMagnetic Compatibility – EMC certificate
 shock-resistance – PC lampshade
 optional polarity connection

Lamp functions:
 - license number plate light

Technical specification:
 - supply voltage: 12–36V DC
 - operating temperature: –40°C to +55°C
 - lamp is resistant to any weather conditions
 - lamp is fully airtight

Power consumption:
 - license plate light: 12V/24V = 0.06A/0.06A

Power consumption / Rated power:
 - license plate light: 12V/24V = 0.8W/1.5W



LT SM LEC

ID/EAN	Photo	Description	Unit pack		Multipack / carton			Multipack / pallet		
			qty.	kg	qty.	cm	kg	qty.	cm	kg
FT-261 LED 5907556013940		Number plate LED lamp with cable 0.5 m.	1	0.156	100	59x39x29	15.60	2000	120x80x165	337.00
FT-261 LED QS075 5907556013957		Number plate LED lamp with a cable 0.5 m and a QS075 connector.	1	0.166	100	59x39x29	16.60	2000	120x80x165	357.00
FT-261 LED QS150 5907556013964		Number plate LED lamp with a cable 0.5 m and a QS150 connector.	1	0.170	100	59x39x29	17.00	2000	120x80x165	365.00



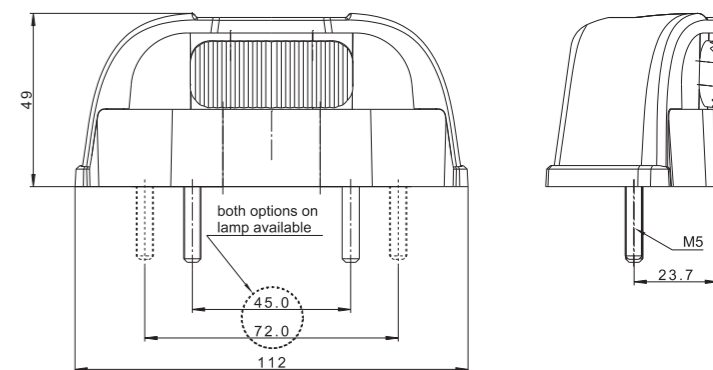
1-functional number plate LED lamp – low power consumption
 european E9 homologation
 ElectroMagnetic Compatibility – EMC certificate
 shock-resistance – PC lampshade
 optional polarity connection

Lamp functions:
 - license number plate light

Technical specification:
 - supply voltage: 12–36V DC
 - operating temperature: –40°C to +55°C
 - lamp is resistant to any weather conditions
 - lamp is fully airtight

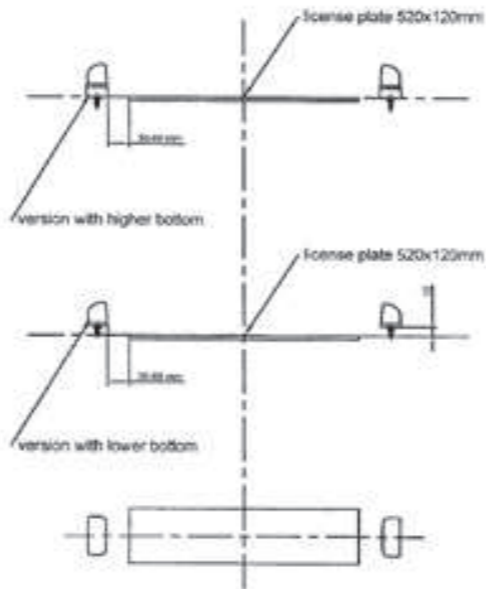
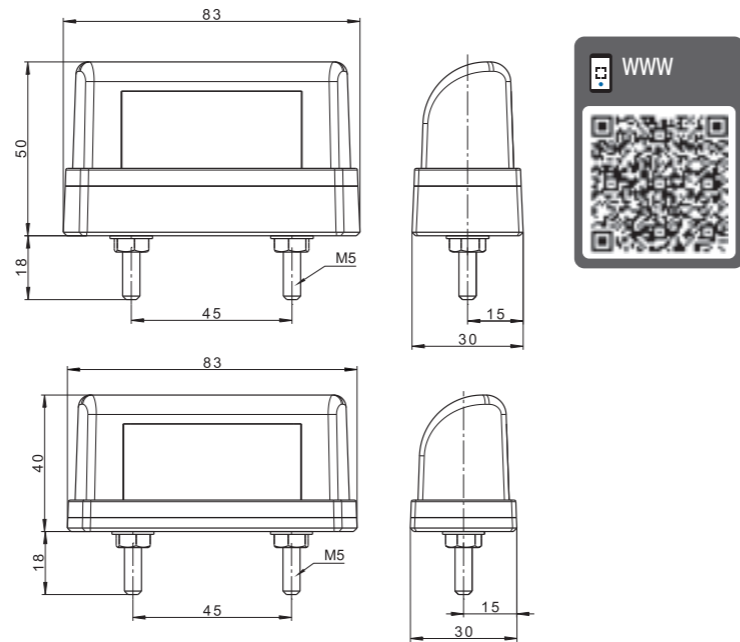
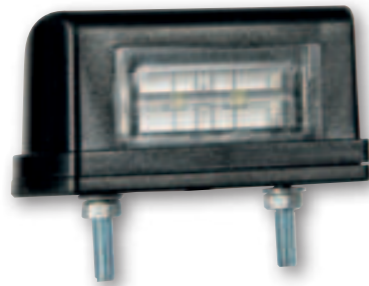
Power consumption:
 - license plate light: 12V/24V = 0.06A/0.06A

Power consumption / Rated power:
 - license plate light: 12V/24V = 0.8W/1.5W



LT LEC

ID/EAN	Photo	Description	Unit pack		Multipack / carton			Multipack / pallet		
			qty.	kg	qty.	cm	kg	qty.	cm	kg
FT-260 LED 5907556013919		Number plate LED lamp with cable 0.5 m.	1	0.102	200	59x39x29	20.40	4000	120x80x165	433.00
FT-260 LED QS075 5907556013926		Number plate LED lamp with a cable 0.5 m and a QS075 connector.	1	0.112	200	59x39x29	22.40	4000	120x80x165	473.00
FT-260 LED QS150 5907556013933		Number plate LED lamp with a cable 0.5 m and a QS150 connector.	1	0.116	200	59x39x29	23.20	4000	120x80x165	489.00



1-functional number plate LED lamp – low power consumption
 - european E9 homologation
 - ElectroMagnetic Compatibility – EMC certificate
 - shock-resistance – PC lampshade
 - optional polarity connection

Lamp functions:
 - number plate light

Technical specification:
 - supply voltage: 12–36V DC
 - operating temperature: –40°C to +55°C
 - lamp is resistant to any weather conditions
 - lamp is fully airtight

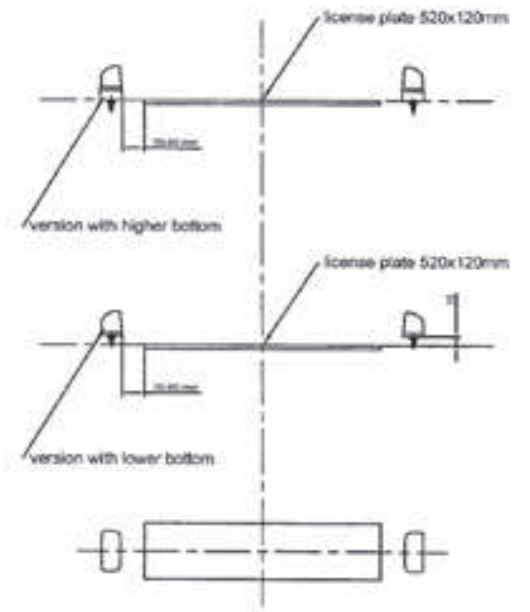
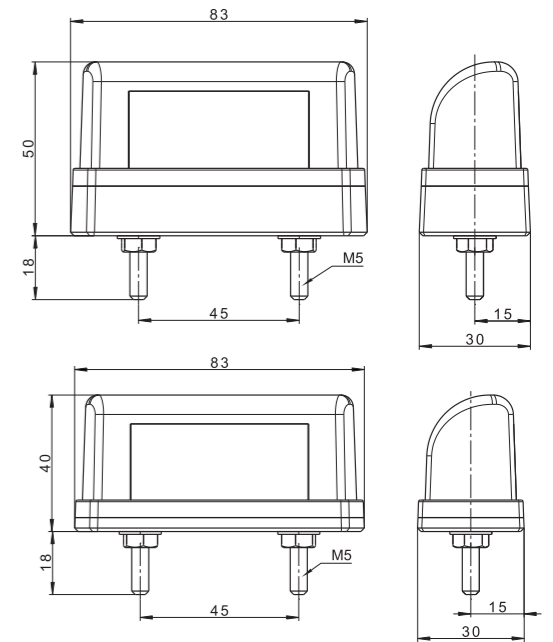
Power consumption:
 - number plate light:
 12V/24V = 0.02A/0.02A

Power consumption / Rated power:
 - number plate light:
 12V/24V = 0.25W/0.5W



ID/EAN	Photo	Description	Unit pack		Multipack / carton			Multipack / pallet		
			qty.	kg	qty.	cm	kg	qty.	cm	kg
FT-016 LED 5907556001688		Number plate LED lamp with a cable.	2	0.13	400	59x39x29	26.00	8000	120x80x165	545.00
FT-016 LED *QS075 M05 5907556004399		Number plate LED lamp with a cable and a QS075 connector.	2	0.15	400	59x39x29	30.00	8000	120x80x165	625.00
FT-016 LED *QS150 M05 5907556001695		Number plate LED lamp with a cable and a QS150 connector.	2	0.15	400	59x39x29	30.00	8000	120x80x165	625.00
FT-016/1 LED 5907556001701		Number plate LED lamp with a cable.	2	0.15	300	59x39x29	22.50	6000	120x80x165	475.00
FT-016/1 LED *QS075 M05 5907556004405		Number plate LED lamp with a cable and a QS075 connector.	2	0.17	300	59x39x29	25.50	6000	120x80x165	535.00
FT-016/1 LED *QS150 M05 5907556001718		Number plate LED lamp with a cable and a QS150 connector.	2	0.17	300	59x39x29	25.50	6000	120x80x165	535.00

* Custom product – lead time will be determined and provided by phone or in writing.



2-functional number plate LED lamp – low power consumption
 - european E9 homologation
 - ElectroMagnetic Compatibility – EMC certificate
 - shock-resistance – PC lampshade
 - optional polarity connection

Lamp functions:
 - reversing rear light
 - number plate light

Technical specification:
 - supply voltage: 12–36V DC
 - operating temperature: –40°C to +55°C
 - lamp is resistant to any weather conditions
 - lamp is fully airtight

Power consumption:
 - 12V/24V=0.06A/0.06A

Power consumption / Rated power:
 - 12V/24V=0.75W/1.5W



ID/EAN	Photo	Description	Unit pack		Multipack / carton			Multipack / pallet		
			qty.	kg	qty.	cm	kg	qty.	cm	kg
FT-016/A LED 5907556006379		Number plate LED lamp with a cable.	2	0.13	400	59x39x29	26.00	8000	120x80x165	545.00
FT-016/1/A LED 5907556006409		Number plate LED lamp with a cable.	2	0.15	300	59x39x29	22.50	6000	120x80x165	475.00

* Custom product – lead time will be determined and provided by phone or in writing.



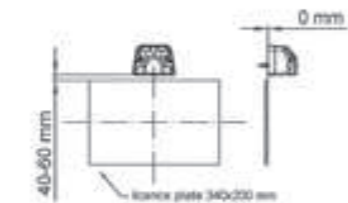
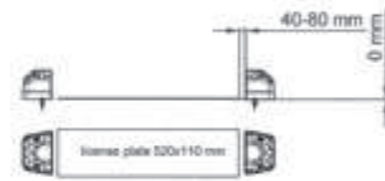
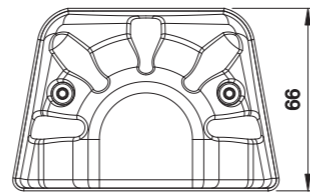
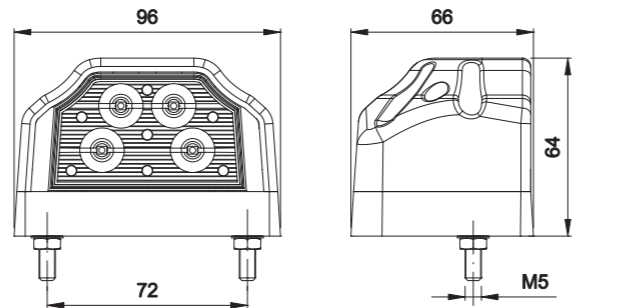
1-functional number plate LED lamp – low power consumption
 - european E9 homologation
 - ElectroMagnetic Compatibility – EMC certificate
 - shock-resistance – PC lampshade
 - optional polarity connection

Lamp functions:
 - license number plate light

Technical specification:
 - supply voltage: 12–36V DC
 - operating temperature: –40°C to +55°C
 - lamp is resistant to any weather conditions
 - lamp is fully airtight

Power consumption:
 - number plate light: 12V/24V = 0.04A/0.04A

Power consumption / Rated power:
 - number plate light: 2V/24V = 0.5W/1W



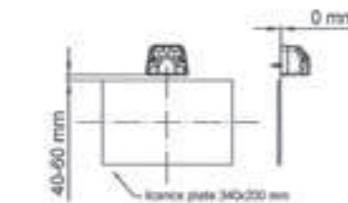
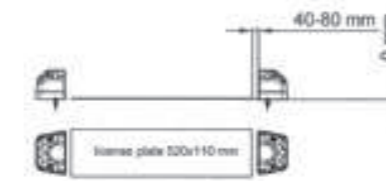
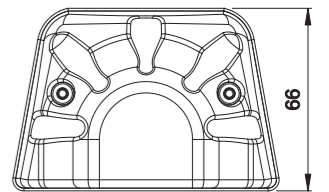
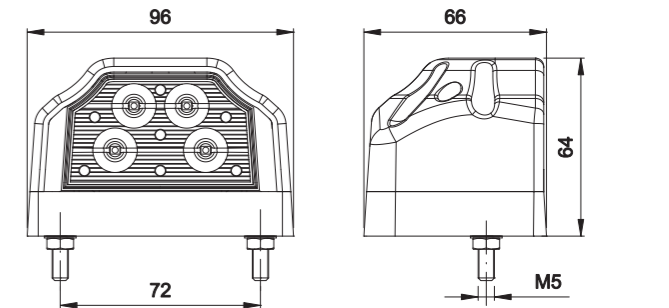
2-functional number plate LED lamp – low power consumption
 - european E9 homologation
 - ElectroMagnetic Compatibility – EMC certificate
 - shock-resistance – PC lampshade
 - optional polarity connection

Lamp functions:
 - reversing rear light
 - number plate light

Technical specification:
 - supply voltage: 12–36V DC
 - operating temperature: –40°C to +55°C
 - lamp is resistant to any weather conditions
 - lamp is fully airtight

Power consumption:
 -12V/24V=0.06A/0.06A

Power consumption / Rated power:
 -12V/24V=0.75W/1.5W

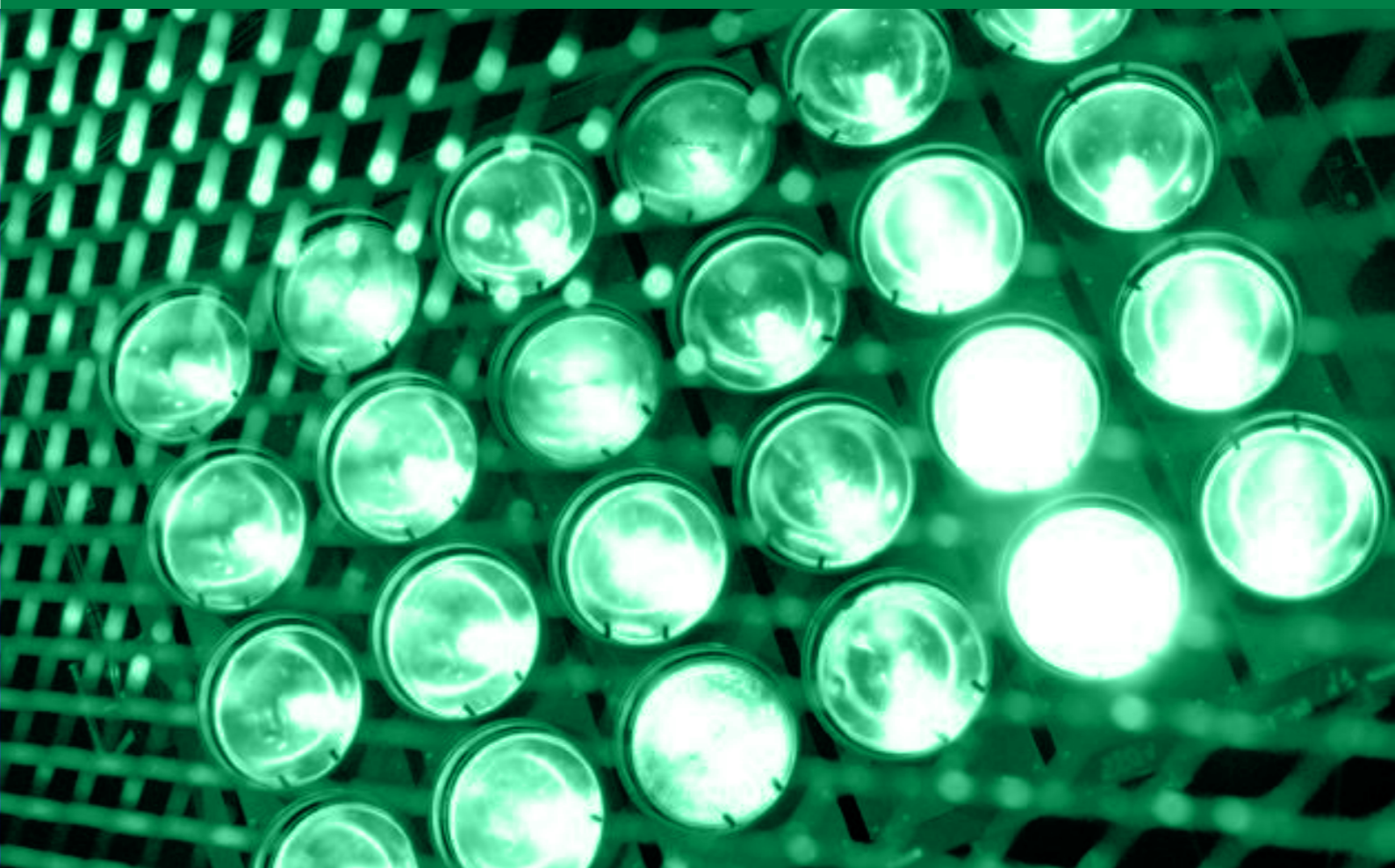
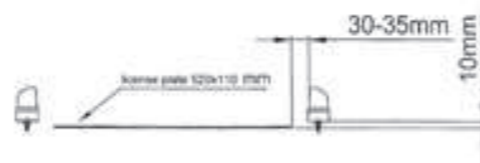
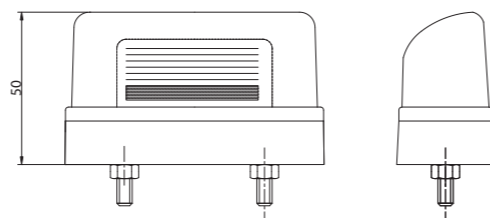
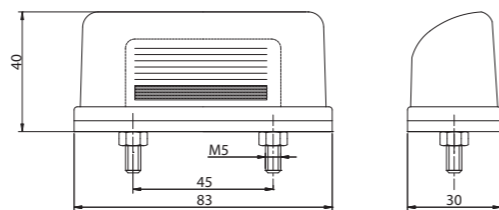
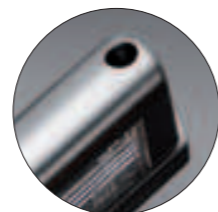


LT LEC

ID/EAN	Photo	Description	Unit pack		Multipack / carton			Multipack / pallet		
			qty.	kg	qty.	cm	kg	qty.	cm	kg
FT-031 LED 5907556005396		Number plate LED lamp without cable.	1	0.11	144	59x39x29	15.84	2880	120x80x165	341.80
FT-031 LED *QS075 5907556006614		Number plate LED lamp with a 0.5 m long wiring loom and a QS075 connector.	1	0.15	120	59x39x29	18.00	2400	120x80x165	385.00
FT-031 LED *QS150 5907556006638		Number plate LED lamp with a 0.5 m long wiring loom and a QS150 connector.	1	0.15	120	59x39x29	18.00	2400	120x80x165	385.00

LT SM LEC

ID/EAN	Photo	Description	Unit pack		Multipack / carton			Multipack / pallet		
			qty.	kg	qty.	cm	kg	qty.	cm	kg
FT-031 A LED 5907556005402		Number plate LED lamp with a sidelight without cable.	1	0.11	144	59x39x29	15.84	2880	120x80x165	341.80
FT-031 A LED *QS075 5907556006621		Number plate LED lamp with a sidelight, a 0.5 m long wiring loom and a QS075 connector.	1	0.15	120	59x39x29	18.00	2400	120x80x165	385.00
FT-031 A LED *QS150 5907556006645		Number plate LED lamp with a sidelight, a 0.5 m long wiring loom and a QS150 connector.	1	0.15	120	59x39x29	18.00	2400	120x80x165	385.00



INTERIOR Lighting

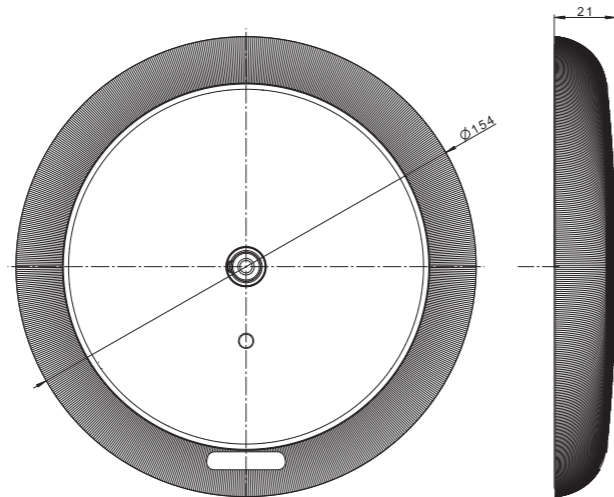
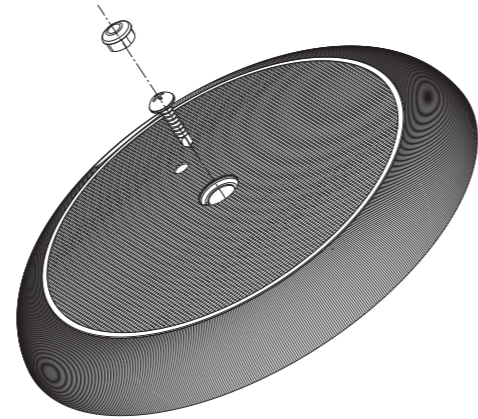
Interior lighting lamps perfectly illuminate the interior of any vehicle. They improve the comfort of travellers during stops and improve visibility in the vehicle cabin.

LT

ID/EAN	Photo	Description	Unit pack		Multipack / carton			Multipack / pallet		
			qty.	kg	qty.	cm	kg	qty.	cm	kg
FT-022 5907556002142		Number plate lamp.	2	0.08	500	59x39x29	20.00	10000	120x80x165	425.00
FT-022/A 5907556002173		Number plate lamp with a sidelight.	2	0.12	500	59x39x29	30.00	10000	120x80x165	625.00
FT-022/1 5907556002159		Number plate lamp with a higher base.	2	0.08	400	59x39x29	16.00	8000	120x80x165	345.00
FT-022/1/A 5907556002166		Number plate lamp with a higher base and a sidelight.	2	0.12	400	59x39x29	24.00	8000	120x80x165	505.00



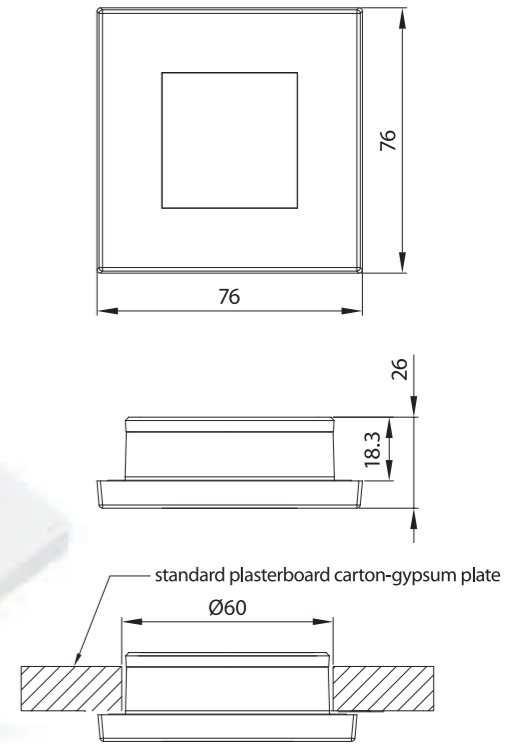
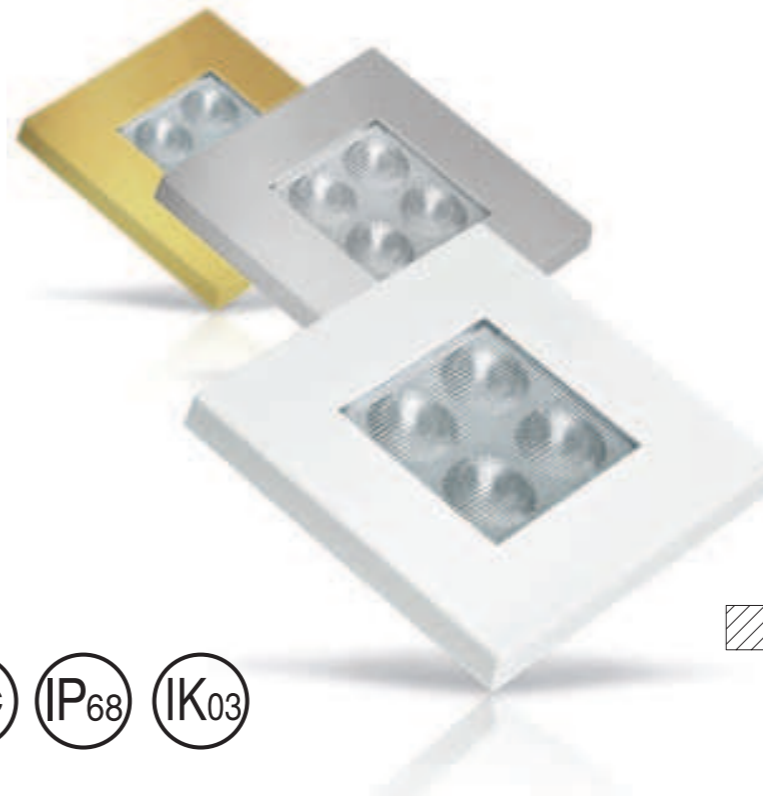
1200 LM



Series of modern interior LED type lamps in a round version has become widely used in the energy-saving electrical installations and also in the widely understood automotive industry such as: cabin lights, load beds, horse trailers and caravans. The main advantages of this lamp are extremely high light emission with a natural. Due to its compact size, shock resistance, easy installation and waterproofness the lamp is very appreciated in motorboat industry.

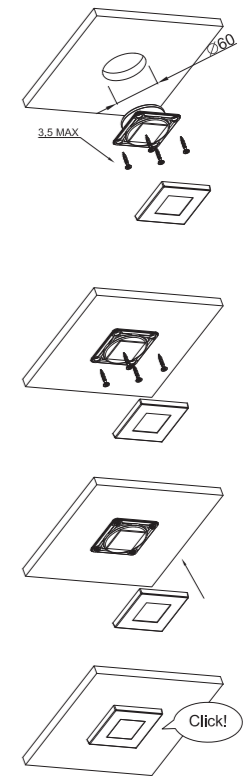
- Mounting by means of a self-drilling screw (included).**
- Technical specification:**
- Supply voltage: 12-36 V DC
 - Polarization is not optimal: (+) – black wire; (-) – white wire
 - Power consumption: 12V/24V = 1.0A/0.5A
 - Power consumption (rated power): 12V/24V = 12 Watt
 - Effective (measured) light beam: 1200 lm
 - Operating temperature: -40°C to +55°C
 - Color temperature: white, neutral; 4000K

ID/EAN	Photo	Description	Unit pack		Multipack / carton			Multipack / pallet		
			qty.	kg	qty.	cm	kg	qty.	cm	kg
FT-161 LED 5907556015586		LED interior lamp 12-36V, round, white, wire 0.15 m.	1	0.184	89	59x39x29	16.90	1780	120x80x165	363.00



Series of modern interior LED type lamps in a square version have become widely used in energy-saving electrical installations and also in the widely understood automotive industry and households. The main features of this lamp include: low power consumption thereby maintaining light efficiency comparable with 20W halogen bulb; supply possibility with DC voltage and AC voltage – i.e. the possibility to supply with 230W AC voltage via a transformer. Due to its small size; shock resistance and easy installation but also due to its waterproofness the lamp is very appreciated in motorboat industry. The lamps are equipped with removable frame type housings. Standard version includes lamps with white, silver and gold frames. There is also a possibility to realize special orders for any housing color.

- Technical specification:**
- supply voltage: 9-36V (DC or AC)
 - optional polarity connection
 - power consumption – 9V/36V = 0.28A/0.08A
 - power consumption (rated power) – 9V/36V = 2.6W
 - light flux: equivalent of the standard 12V-20V bulb
 - operating temperature: -40°C to +55°C
 - color temperature: white/warm, 3500K (Kelvin)
 - effective (measured) light beam: 140 lm
 - full waterproofness (IP68) shock and vibration resistance (IK03)
 - shock-resistance – PC lampshade
 - ElectroMagnetic Compatibility – EMC certificate
 - the product meets legal requirements of the EU and it is marked by CE



ID/EAN	Photo	Description	Unit pack		Multipack / carton			Multipack / pallet		
			qty.	kg	qty.	cm	kg	qty.	cm	kg
FT-044 B LED 5907556007161		4-LED interior lamp, square with replaceable frame, white color.	1	0.075	270	59x39x29	20.25	5400	120x80x165	430.00
FT-044 S LED 5907556007178		4-LED interior lamp, square with replaceable frame, silver color.	1	0.075	270	59x39x29	20.25	5400	120x80x165	430.00
FT-044 ZL LED 5907556007185		4-LED interior lamp, square with replaceable frame, gold color.	1	0.075	270	59x39x29	20.25	5400	120x80x165	430.00



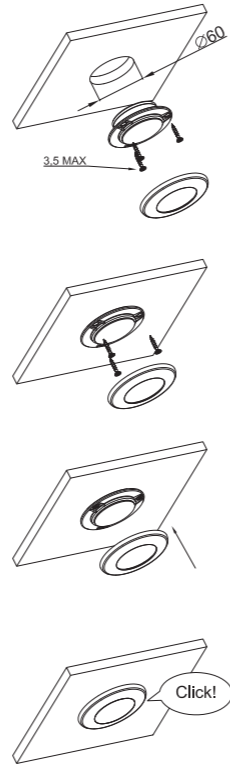
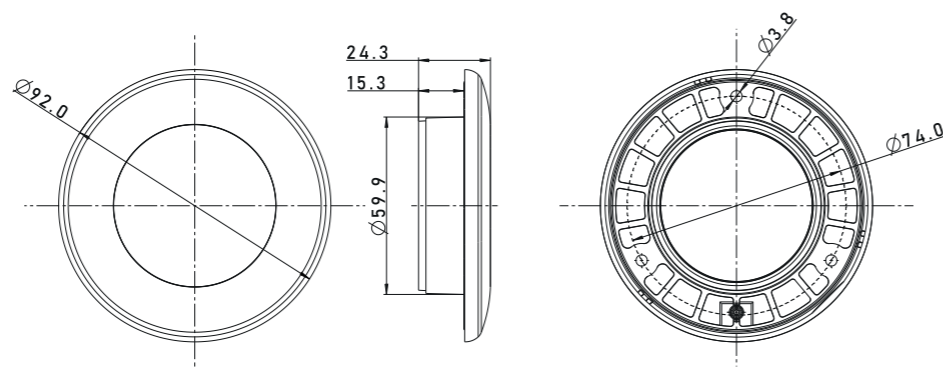
IP68 IK03

Series of modern interior LED type lamps in a round version have become widely used in energy-saving electrical installations and also in the widely understood automotive industry and households. The main features of this lamp include: low power consumption thereby maintaining light efficiency comparable with 35W halogen bulb; supply possibility with DC voltage and AC voltage – i.e. the possibility to supply with 230W AC voltage via a transformer.

Due to its small size; shock resistance and easy installation but also due to its waterproofness the lamp is very appreciated in motorboat industry. The lamps are equipped with removable frame type housings. Standard version includes lamps with white, silver and gold frames. There is also a possibility to realize special orders for any housing color.

Technical specification:

- supply voltage: 12–36V (DC or AC)
- optional polarity connection
- power consumption – 12V/36V = 0.38A/0.14A
- power consumption (rated power) – 12V/36V = 5 Watt
- effective (measured) light beam – 420 lm
- light flux: equivalent of the standard 12V–35V bulb
- operating temperature: –40°C to +55°C
- color temperature: white/warm, 4000K (Kelvin)



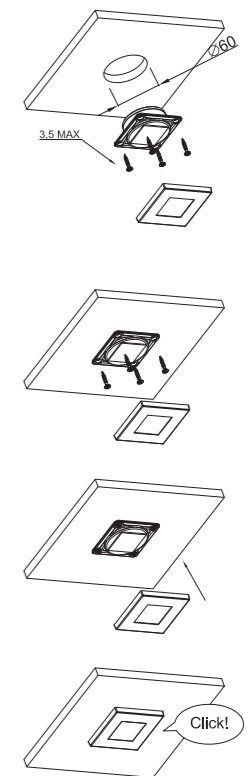
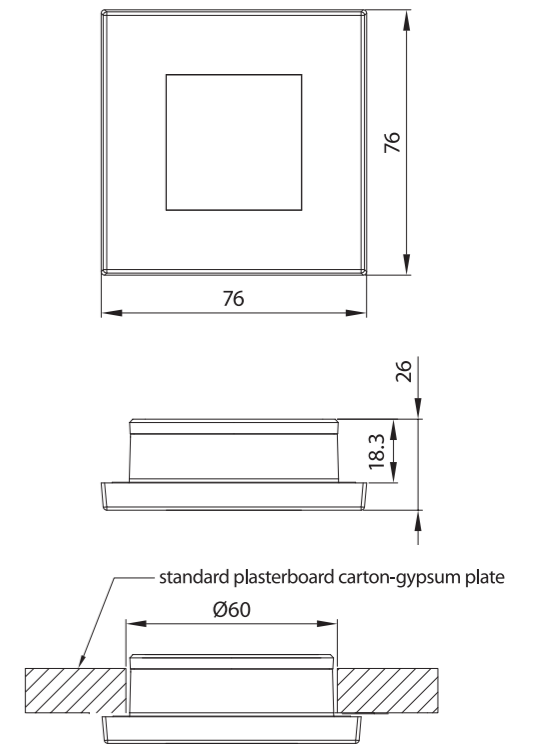
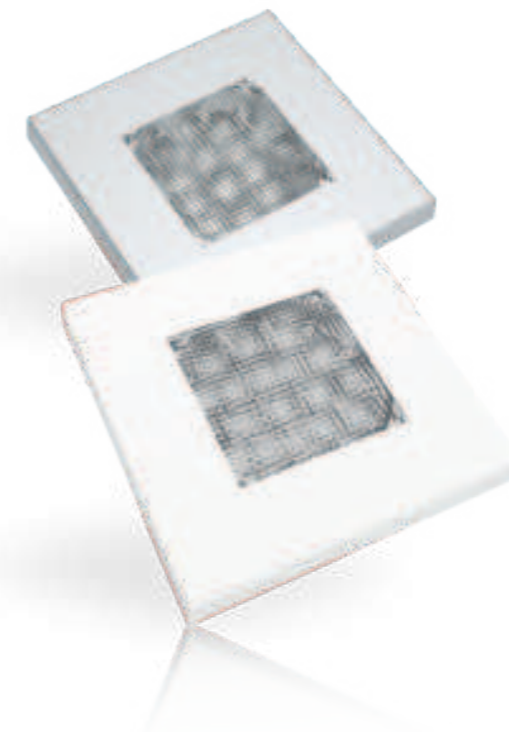
IP68 IK03

Series of modern interior LED type lamps in a square version have become widely used in energy-saving electrical installations and also in the widely understood automotive industry and households. The main features of this lamp include: low power consumption thereby maintaining light efficiency comparable with 35W halogen bulb; supply possibility with DC voltage and AC voltage – i.e. the possibility to supply with 230W AC voltage via a transformer.

Due to its small size; shock resistance and easy installation but also due to its waterproofness the lamp is very appreciated in motorboat industry. The lamps are equipped with removable frame type housings. Standard version includes lamps with white, silver and gold frames. There is also a possibility to realize special orders for any housing color.

Technical specification:

- supply voltage: 12–36V (DC or AC)
- optional polarity connection
- power consumption – 12V/36V = 0.38A/0.14A
- power consumption (rated power) – 12V/36V = 5W
- effective (measured) light beam – 340 lm
- light flux: equivalent of the standard 12V–35V bulb
- operating temperature: –40°C to +55°C
- color temperature: white/warm, 4000K (Kelvin)



ID/EAN	Photo	Description	Unit pack		Multipack / carton			Multipack / pallet		
			qty.	kg	qty.	cm	kg	qty.	cm	kg
FT-046 B LED 590755600534		21-LED interior lamp, round with replaceable frame, white color.	1	0.085	216	59x39x29	18.36	4320	120x80x165	392.20
FT-046 S LED 590755600538		21-LED interior lamp, round with replaceable frame, silver color.	1	0.085	216	59x39x29	18.36	4320	120x80x165	392.20

ID/EAN	Photo	Description	Unit pack		Multipack / carton			Multipack / pallet		
			qty.	kg	qty.	cm	kg	qty.	cm	kg
FT-047 B LED 5907556005372		21-LED interior lamp, square with replaceable frame, white color.	1	0.075	270	59x39x29	20.25	5400	120x80x165	430.00
FT-047 S LED 5907556005389		21-LED interior lamp, square with replaceable frame, silver color.	1	0.075	270	59x39x29	20.25	5400	120x80x165	430.00

FT-160 CZ LED

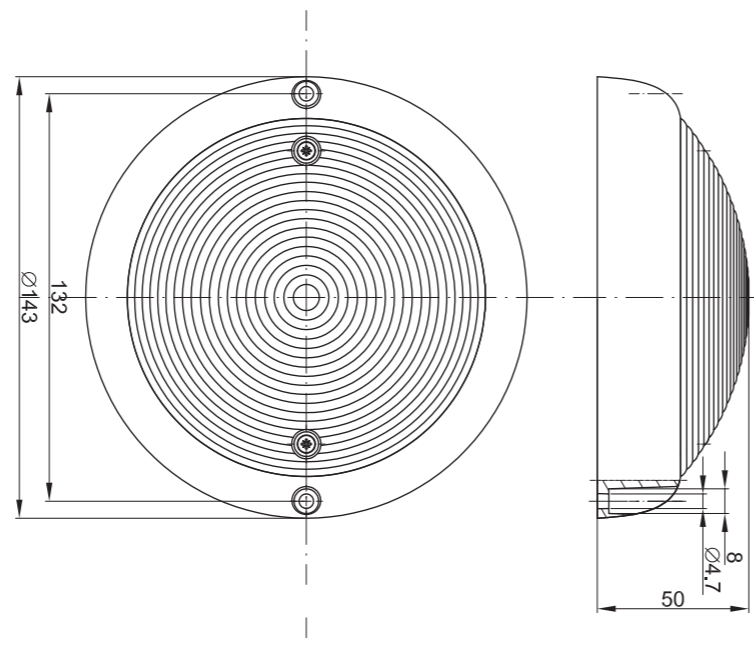


FT-160 B LED

FT-160 CZ W LED



FT-160 B W LED

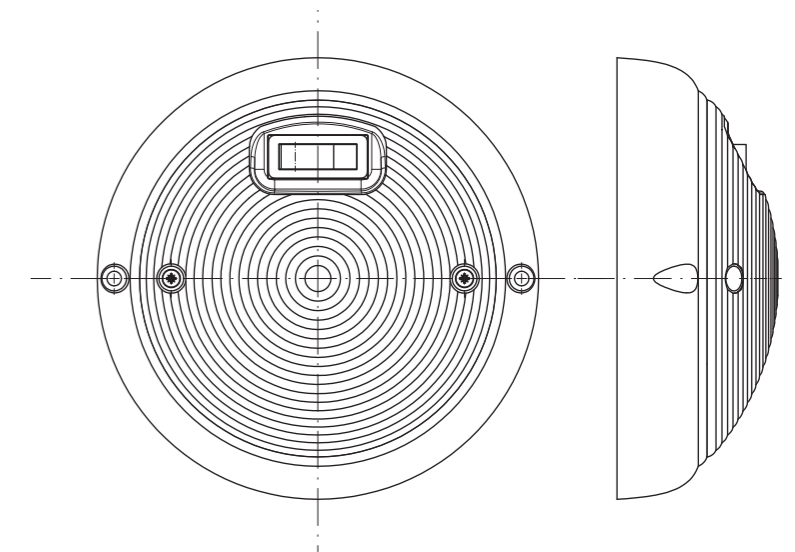


Series of modern interior LED type lamps in a round version has become widely used in the energy-saving electrical installations and also in the widely understood automotive industry such as: cabin lights, load beds, horse trailers and caravans. The major advantages of the lamp are universal supply voltage and low power consumption that go with the high light emission. Due to its compact size, shock resistance, easy installation and waterproofness the lamp is very appreciated in motorboat industry.

The lamps are available in two versions: black and white.

Technical specification:

- Supply voltage: 12–36 V DC
- Polarization is optional
- Power consumption: 12V/24V/36V = 0,4A/0.2A/0.14A
- Power consumption (rated power): 12V–36V=5 Watt
- Effective (measured) light beam: 420 lm
- Operating temperature: –40°C to +55°C
- Color temperature: white, neutral; 4000K
- PC lampshade made with a very durable material



Series of modern interior LED type lamps in a round version has become widely used in the energy-saving electrical installations and also in the widely understood automotive industry such as: cabin lights, load beds, horse trailers and caravans. The lamp has been also equipped with the switch light that enables the product to operate in two modes of intensity: I=25%; II=100%. The major advantages of the lamp are universal supply voltage and low power consumption that go with the high light emission. Due to its compact size, shock resistance, easy installation and waterproofness the lamp is very appreciated in motorboat industry.

The lamps are available in two versions: black and white.

Technical specification:

- Supply voltage: 12–36 V DC
- Polarization is not optional
- Power consumption: I mode: 12V/24V/36V = 0.08A/0.05A/0.04A; II mode: 12V/24V/36V = 0.4A/0.2A/0.14A
- Power consumption (rated power): I mode: 12V–36V=1.2 Watt; II mode: 12V–36V=5 Watt
- Effective (measured) light beam: I mode: 110 lm; II mode: 400 lm
- Operating temperature: –40°C to +55°C
- Color temperature: white, neutral; 4000K
- PC lampshade made with a very durable material

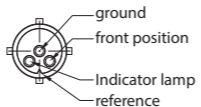
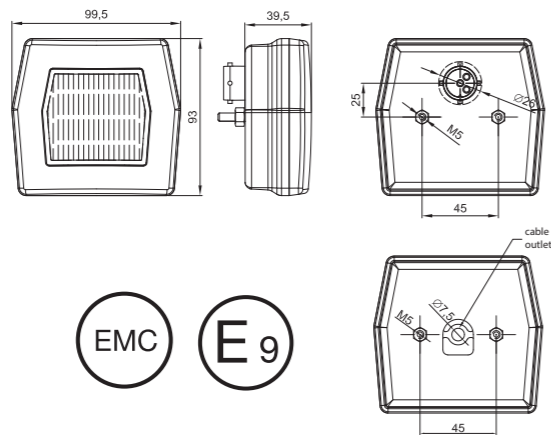
ID/EAN	Photo	Description	Unit pack		Multipack / carton			Multipack / pallet		
			qty.	kg	qty.	cm	kg	qty.	cm	kg
FT-160 B LED 5907556003057		LED interior lamp 12–36V, round, white; without light switch.	1	0.146	64	59x39x29	9.34	1300	120x80x165	214.80
FT-160 CZ LED 5907556003101		LED interior lamp 12–36V, round, black; without light switch.	1	0.146	64	59x39x29	9.34	1300	120x80x165	214.80

ID/EAN	Photo	Description	Unit pack		Multipack / carton			Multipack / pallet		
			qty.	kg	qty.	cm	kg	qty.	cm	kg
FT-160 B W LED 5907556003064		LED interior lamp 12–36V, round, white; with light switch.	1	0.158	64	59x39x29	10.11	1300	120x80x165	230.40
FT-160 CZ W LED 5907556003118		LED interior lamp 12–36V, round, black; with light switch.	1	0.158	64	59x39x29	10.11	1300	120x80x165	230.40



INDICATORS

The purpose of indicators is to **inform** other road users about **the planned change of direction or lane**. Early signalling of a change of direction **allows other road users to react appropriately and be prepared for possible hazards**.



2-functional universal LED headlamp-low power consumption
 - european E9 homologation
 - the lamp is homologated to be mounted horizontally and vertically as well
 - ElectroMagnetic Compatibility – EMC certificate
 - shock-resistance – PC lampshade
 - reverse polarity protection system

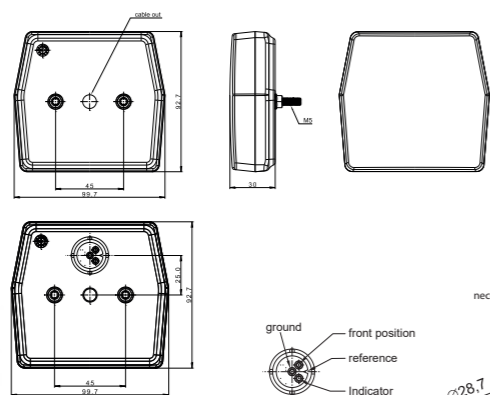
Lamp functions:
 - front position light
 - front indicator light; CAT-1

Technical specification:
 - supply voltage: 12–36V DC
 - operating temperature: –40°C to +55°C
 - lamp is resistant to any weather conditions
 - lamp is fully airtight

Power consumption:
 - position light: 12V/24V = 0.13A/0.13A
 - indicator: 12V/24V = 0.2A/0.1A

Power consumption (rated power):
 - position light: 12V/24V = 1.6W/3.2W
 - indicator: 12V/24V = 2.5W/2.5W

ID/EAN	Photo	Description	Unit pack			Multipack / carton			Multipack / pallet		
			qty.	kg		qty.	cm	kg	qty.	cm	kg
FT-125 LED 5907556009240		FT-125 LED Universal headlamp, 12-36V, 2-functional with position light and indicator CAT-1, 1m cable.	1	0,250	108	59x39x29	27,70	2160	120x80x165	579,00	
FT-125 LED BAJONET 5907556009257		Universal headlamp, 12-36V, 2-functional with position light and indicator CAT-1, Bayonet connector.	1	0,200	108	59x39x29	22,30	2160	120x80x165	471,00	



Universal LED headlamp-low power consumption
 - european E9 homologation
 - ElectroMagnetic Compatibility – EMC certificate
 - shock-resistance – PC lampshade
 - reverse polarity protection system

Lamp functions:
 - front position light
 - front indicator light

Technical specification:
 - supply voltage: 12–15V DC
 - operating temperature: –40°C to +55°C
 - lamp is resistant to any weather conditions
 - lamp is fully airtight

Power consumption:
 - position light: 2V = 0.1A
 - indicator: 12V = 0.2A

Power consumption (rated power):
 - position light: 12V = 1.2W
 - indicator: 12V = 2.4W

ID/EAN	Photo	Description	Unit pack			Multipack / carton			Multipack / pallet		
			qty.	kg		qty.	cm	kg	qty.	cm	kg
FT-225 LED 5907556015265		Universal LED front lamp 12V, 2-functional POSITIONAL/INDICATOR, 1 m cable.	1	0.190	144	59x39x29	27.36	2880	120x80x165	572.20	
FT-225 LED BAJONET 5907556015272		Universal LED front lamp 12V, 2-functional POSITIONAL/INDICATOR, 5PIN Bayonet connector.	1	0.160	144	59x39x29	23.04	2880	120x80x165	485.80	



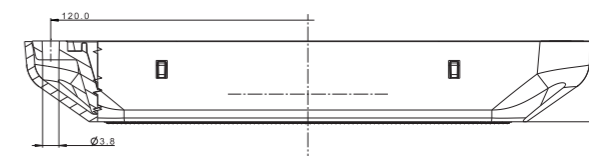
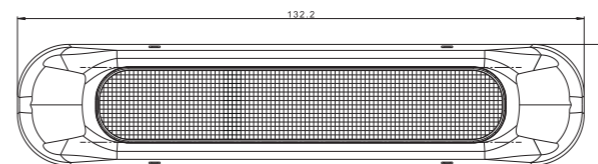
2-functional universal LED headlamp-low power consumption
 - european E9 homologation
 - the lamp is homologated
 - ElectroMagnetic Compatibility – EMC certificate
 - shock-resistance – PC lampshade
 - reverse polarity protection system

Lamp functions:
 - front position light
 - front indicator light

Technical specification:
 - supply voltage: 12–36V DC
 - operating temperature: –40°C to +55°C
 - lamp is resistant to any weather conditions
 - lamp is fully airtight

Power consumption:
 - position light: 12V/24V = 0.2A/0.2A
 - indicator: 12V/24V = 0.15A/0.15A

Power consumption (rated power):
 - position light: 12V/24V = 0.25W/0.5W
 - indicator: 12V/24V = 1.8W/3.6W

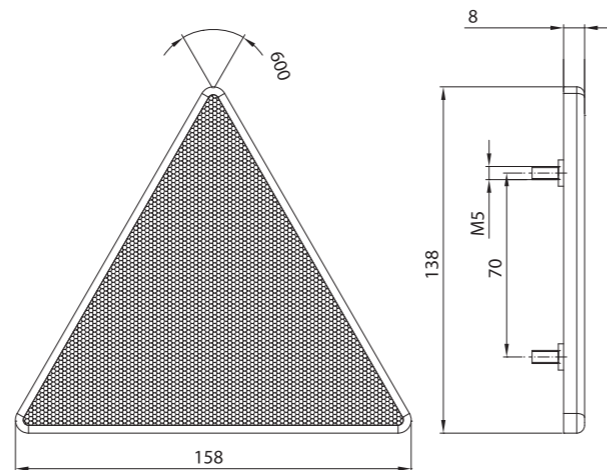
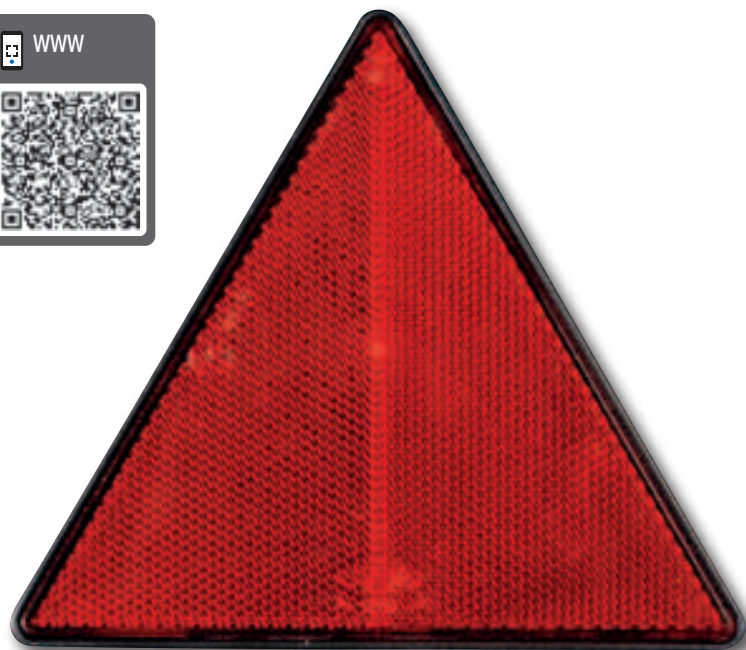


ID/EAN	Photo	Description	Unit pack			Multipack / carton			Multipack / pallet		
			qty.	kg		qty.	cm	kg	qty.	cm	kg
FT-331 LED 5907556028999		FT-125 LED Universal headlamp, 12-36V, 2-functional with position light and indicator CAT-1, 1m cable.	1			59x39x29			120x80x165		



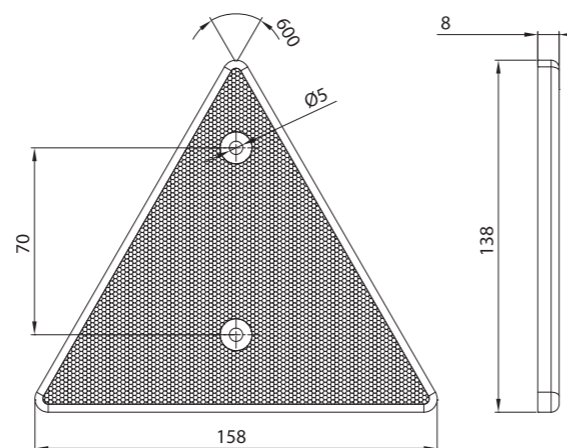
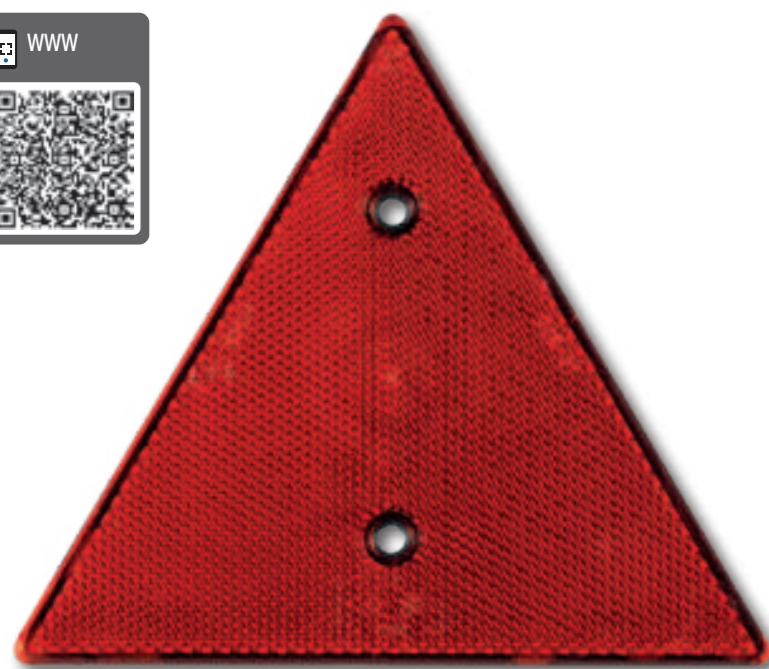
REFLECTORS

Conspicuity marking has a **very significant impact on road safety**. It improves visibility on the road and allows to determine actual vehicle's dimensions and its location – when on the roadside, when entering the traffic and during manoeuvring.



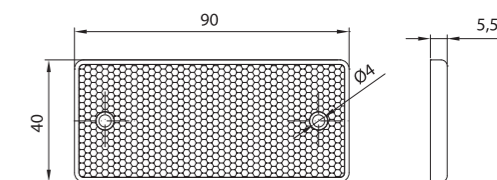
CAT

ID	Photo	Description	Unit pack		Multipack / carton			Multipack / pallet		
			qty.	kg	qty.	cm	kg	qty.	cm	kg
DOB-030A		Triangular reflector with screws.	2	0.16	150	59x39x29	12.00	3000	120x80x165	265.00



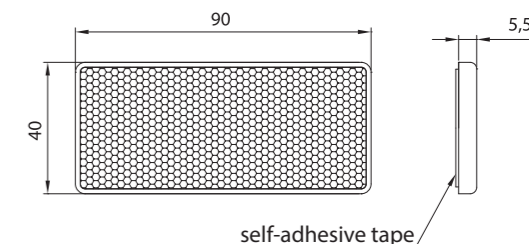
CAT

ID	Photo	Description	Unit pack		Multipack / carton			Multipack / pallet		
			qty.	kg	qty.	cm	kg	qty.	cm	kg
DOB-031		Triangular reflector with 2 mounting holes.	2	0.12	450	59x39x29	27.00	9000	120x80x165	565.00



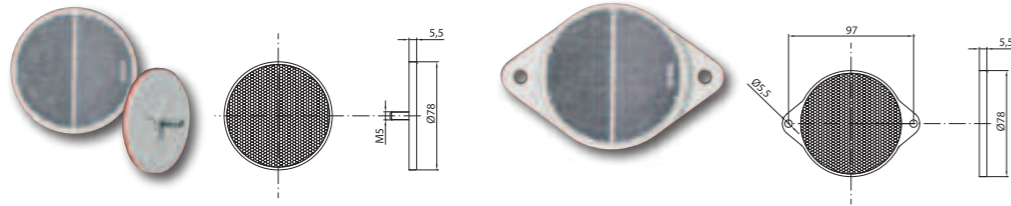
CAT

ID	Photo	Description	Unit pack		Multipack / carton			Multipack / pallet		
			qty.	kg	qty.	cm	kg	qty.	cm	kg
DOB-034 B		White rectangular reflector with 2 mounting holes.	10	0.20	2100	59x39x29	42.00	42000	120x80x165	865.00
DOB-034 Z		Yellow rectangular reflector with 2 mounting holes.	10	0.20	2100	59x39x29	42.00	42000	120x80x165	865.00
DOB-034 C		Red rectangular reflector with 2 mounting holes.	10	0.20	2100	59x39x29	42.00	42000	120x80x165	865.00



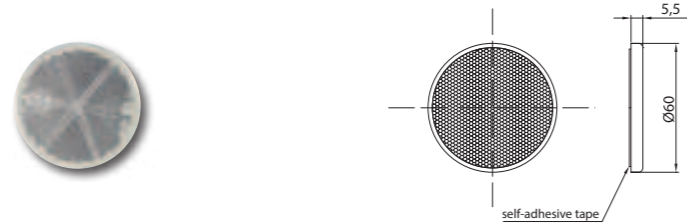
CAT

ID	Photo	Description	Unit pack		Multipack / carton			Multipack / pallet		
			qty.	kg	qty.	cm	kg	qty.	cm	kg
DOB-035 B		White rectangular reflector mounted with adhesive tape.	10	0.20	2500	59x39x29	50.00	42000	120x80x165	865.00
DOB-035 Z		Yellow rectangular reflector mounted with adhesive tape.	10	0.20	2500	59x39x29	50.00	42000	120x80x165	865.00
DOB-035 C		Red rectangular reflector mounted with adhesive tape.	10	0.20	2500	59x39x29	50.00	42000	120x80x165	865.00



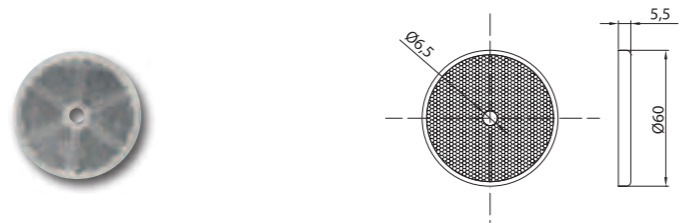
CAT

ID	Photo	Description	Unit pack		Multipack / carton			Multipack / pallet		
			qty.	kg	qty.	cm	kg	qty.	cm	kg
DOB-039A B		White round reflector on a backing with a screw.	10	0.07						
DOB-039A Z		Yellow round reflector on a backing with a screw.	10	0.07						
DOB-039A C		Red round reflector on a backing with a screw.	10	0.07						
DOB-039 B		White round reflector mounted with 2 screws.	10	0.37						
DOB-039 Z		Yellow round reflector mounted with 2 screws.	10	0.37						
DOB-039 C		Red round reflector mounted with 2 screws.	10	0.37						



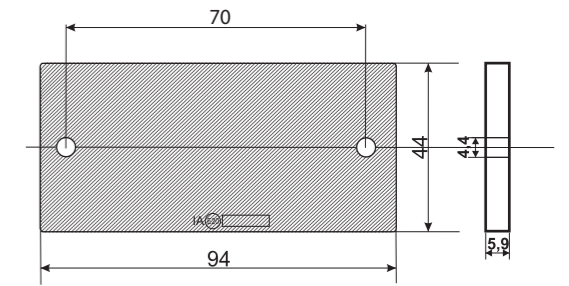
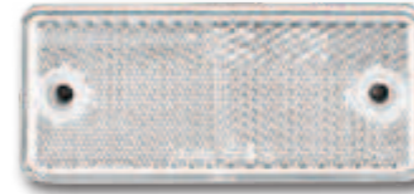
CAT

ID	Photo	Description	Unit pack		Multipack / carton			Multipack / pallet		
			qty.	kg	qty.	cm	kg	qty.	cm	kg
DOB-032 B		White round reflector mounted with adhesive tape.	10	0.15						
DOB-032 Z		Yellow round reflector mounted with adhesive tape.	10	0.15						
DOB-032 C		Red round reflector mounted with adhesive tape.	10	0.15						



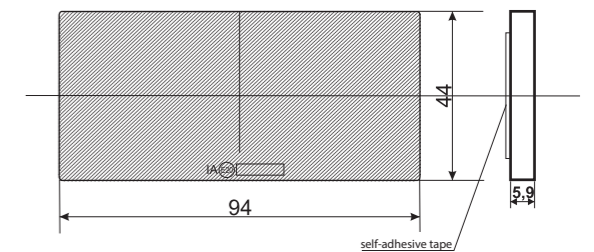
CAT

ID	Photo	Description	Unit pack		Multipack / carton			Multipack / pallet		
			qty.	kg	qty.	cm	kg	qty.	cm	kg
DOB-033 B		White round reflector with a mounting hole.	10	0.14						
DOB-033 Z		Yellow round reflector with a mounting hole.	10	0.14						
DOB-033 C		Red round reflector with a mounting hole.	10	0.14						



CAT

ID	Photo	Description	Unit pack		Multipack / carton			Multipack / pallet		
			qty.	kg	qty.	cm	kg	qty.	cm	kg
DOB-42 B		White rectangular reflector 94x44 mm with 2 mounting holes.	10	0.23						
DOB-42 Z		Yellow rectangular reflector 94x44 mm with 2 mounting holes.	10	0.23						
DOB-42 C		Red rectangular reflector 94x44 mm with 2 mounting holes.	10	0.23						
DOB-42A B		White rectangular reflector 94x44 mm with 2 mounting holes, mounted with adhesive tape.	10	0.23						
DOB-42A Z		Yellow rectangular reflector 94x44 mm with 2 mounting holes, mounted with adhesive tape.	10	0.23						
DOB-42A C		Red rectangular reflector 94x44 mm with 2 mounting holes, mounted with adhesive tape.	10	0.23						

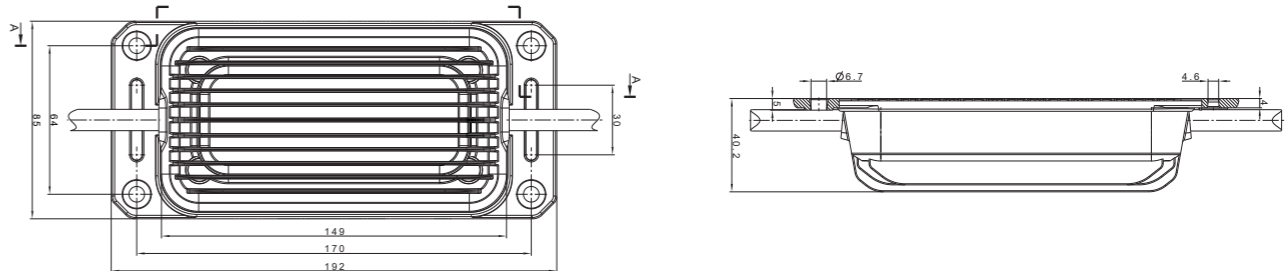


CAT

ID	Photo	Description	Unit pack		Multipack / carton			Multipack / pallet		
			qty.	kg	qty.	cm	kg	qty.	cm	kg
DOB-43 B		White rectangular reflector 94x44 mm, mounted with adhesive tape.	10	0.24						
DOB-43 Z		Yellow rectangular reflector 94x44 mm, mounted with adhesive tape.	10	0.24						
DOB-43 C		Red rectangular reflector 94x44 mm, mounted with adhesive tape.	10	0.24						



LED CONTROL BOX ALU 13 12V



ACCESSORIES

Our offer, in addition to lamps and cable harnesses, includes a variety of accessories.

ID/EAN	Photo	Description	Unit pack		Multipack / carton			Multipack / pallet		
			qty.	kg	qty.	cm	kg	qty.	cm	kg
QS075 z przewodem 2x0.75		Connector for a 2x0.75 mm² cable (fast assembly); Available cable lengths: M05=0.5 m; M10=1 m; M15=1.5 m.	10	0.50						
QS150 z przewodem 2x0.75		Connector for a 2x1.5 mm² cable (fast assembly); Available cable lengths: M05=0.5 m; M10=1 m; M15=1.5 m.	10	0.50						
QS075/QS075 5907556007086		Electrical connector, QS075<->QS075 adapter.	10	0.15						
QS075/QS150 5907556007109		Electrical connector, QS075<->QS150 adapter.	10	0.18						
QS150/QS150 5907556007093		Electrical connector, QS150<->QS150 adapter.	10	0.21						
STYK FT-010 / FT-011 100 5907556007079		FT-010 / FT-011 clearance lamp contact, pack of 100 pcs.	100	0.24						
KLIN SET 5907556007055		Car wheel wedge with a mounting holder.	1	0.35						
TRZPIEŃ 1 5907556011137		Pole Mount 1 for Beacons with the thread and 0.11 m loom. I	1	0.220						
TRZPIEŃ 2 5907556011144		Pole Mount 2 for Beacons with a 0.11 m loom. T	1	0.268						
TRZPIEŃ 3 5907556011151		Pole Mount 3 for Beacons with a 0.11 m loom. L	1	0.368						
TRZPIEŃ 4 5907556011168		Pole Mount 4 for Beacons with a 0.11 m loom. U	1	0.362						
Uchwyt „OMEGA” 5907556006010		OMEGA mounting holder of galvanized metal sheet (FT-036 lamps).	10	0.60						
Uchwyt „OMEGA” INOX 5907556005600		OMEGA mounting holder of INOX metal sheet (FT-036 lamps).	10	0.45						
MAG FT-036 5907556007062		Magnetic base for FT-036 lamp with a rubber cover.	1	0.45						

ID/EAN	Photo	Description	Unit pack		Multipack / carton			Multipack / pallet		
			qty.	kg	qty.	cm	kg	qty.	cm	kg
LGY 2x0,75 5907556003675		Rectangular 2x0.75 mm² cable.	100m	3,70						
LGY 2x150 5907556003668		Rectangular 2x1.5 mm² cable.	100m	5,30						
KAT FT-004 5907556007048		FT-004 clearance lamp angle holder.	10	0,20						
KAT MD-013 5907556007031		MD-013 clearance lamp angle holder.	10	0,20						
KAT FT-017/FT-018 5907556002678		Universal angle holder (FT-017, FT-018).	10	0,25						
KAT FT-019 5907556005587		FT-019 clearance lamp angle holder.	10	0,20						
KAT FT-020 5907556005594		FT-020 clearance lamp angle holder.	10	0,20						
KAT-FT-061 5907556018341		FT-061 LED clearance lamp angle holder.	10	0,16						
WTY BAJONET L M10 5907556007116		Bayonet plug (5 PIN) with a 5x0.5 mm² cable, 1 m long, yellow.	1	0,017						
WTY BAJONET P M10 5907556007123		Bayonet plug (5 PIN) with a 5x0.5 mm² cable, 1 m long, green.	1	0,017						
WTY AMP 7PIN M10 5907556006737		AMP plug (7 PIN) with a 6x0.75 mm² cable, 1 m long.	1	0,017						
WTY DS M05 5907556008038		Deutsch Stecker plug with a 2x0.75 mm², 0.5 cable long.	1	0,022						
KUWETA WARSZTATOWA		Storage bin, plastic, black, bulk pack (5 pcs.).	5	0,24						

ID/EAN	Photo	Description	Unit pack		Multipack / carton			Multipack / pallet		
			qty.	kg	qty.	cm	kg	qty.	cm	kg
WTY 7PIN		7PIN plastic plug, 12V.	1	0.085						
WTY GNIAZDO 7PIN		7PIN socket, 12V with a rubber gasket.	1	0.10						
WTY 13PIN		13PIN plastic plug PA6, chrome pins, 12V.	1	0.085						
WTY GNIAZDO 13PIN		13PIN socket, 12V with a rubber gasket.	1	0.10						
WTY ADAPTER 7PIN/ 13PIN		Conversion adaptor, towing socket 7PIN ->13PIN.	1	0.08						
WTY ADAPTER 13PIN/ 7PIN		Conversion adapter, towing socket 13PIN ->7PIN.	1	0.08						
XXI 1 - BAJ-005-005 5907556008984		Connecting cable for BAYONET lamps (1+1 option).	1	0.11						
XXI 2 - BAJ-005-005 5907556008991		Connecting cable for BAYONET lamps (2+1 option).	1	0.14						
XXI 3 - BAJ-005-005 5907556009004		Connecting cable for BAYONET lamps (3+1 option).	1	0.18						
LED CONTROL BOX ALU 13 12V 5907556031791		Electronic module presented in an aluminium housing with 13 PIN socket, plug and 2.5 m cable. The product enables the proper LED lighting solutions cooperation with 12V installations.	1	0.00						

ID/EAN	Photo	Description	Unit pack		Multipack / carton			Multipack / pallet		
			qty.	kg	qty.	cm	kg	qty.	cm	kg
FT-036 RAM B 5907556008489		Removable frame for FT-036 LED work lamps. White color.	5	0.10						
FT-036 RAM CZ 5907556008496		Removable frame for FT-036 LED work lamps. Black color.	5	0.10						
FT-036 RAM C 5907556008502		Removable frame for FT-036 LED work lamps. Red color.	5	0.10						
FT-036 RAM ZIEL 5907556008533		Removable frame for FT-036 LED work lamps. Green color.	5	0.10						
FT-036 RAM SZ 5907556008519		Removable frame for FT-036 LED work lamps. Grey color.	5	0.10						
FT-036 RAM Z 5907556008526		Removable frame for FT-036 LED work lamps. Yellow color.	5	0.10						
FT-036 RAM MIX 5907556008700		Set of (6 pcs.) removable frames for FT-036 work lamp, MIX - all colors.	6	0.12						



PRODUCT NAME	PAGE
549	81
551	81
DOB-030A	192
DOB-031	192
DOB-032	194
DOB-033	194
DOB-034	193
DOB-035	193
DOB-039	194
DOB-050	166
DOB-051	157
DOB-42	195
DOB-43	195
FT-001 LED	144-145
FT-004 K LED	141
FT-004 LED	140
FT-006	147
FT-007	82
FT-009 LED	142-143
FT-013 K LED	137
FT-013 LED	136
FT-015 K LED	135
FT-015 LED	134
FT-016 A LED	175
FT-016 LED	174
FT-017 K LED	126
FT-017 LED	125
FT-018 LED	127
FT-019 K LED	129
FT-019 LED	128
FT-020 K LED	131
FT-020 LED	130
FT-022	178
FT-025 LED	133
FT-026 LED	169
FT-027 LED	122
FT-031 A LED	177
FT-031 LED	176
FT-036 LED	34-35
FT-036 LED ALU 2800	32-33
FT-036 REV LED	152
FT-038 CB LED	120
FT-038 LED	121
FT-039 LED	91
FT-044 LED	181
FT-045 LED	124
FT-046 LED	182

PRODUCT NAME	PAGE
FT-047 LED	183
FT-060 LED	116-117
FT-061 LED	104-105
FT-062 LED	92
FT-063 LED	36
FT-064 LED	37
FT-065 LED	93
FT-067 LED	94
FT-068 LED	95
FT-069 LED	102
FT-070 LED	110-111
FT-071 LED	109
FT-072 LED	103
FT-073 LED	98
FT-073 LED LONG	99
FT-073 LED DARK	100
FT-073 LED LONG DARK	101
FT-074 LED	97
FT-075 LED	112-113
FT-076 LED	115
FT-077	79
FT-080 LED	114
FT-088	78
FT-090 LED	123
FT-092 LED	146
FT-101 LED	22-23
FT-110 LED	76
FT-111 LED	164
FT-112 LED	153
FT-113 Y LED	77
FT-120 LED	72-73
FT-120 T LED	74-75
FT-121 LED	72-73
FT-121 T LED	74-75
FT-122 LED	72-73
FT-122 T LED	74-75
FT-123 LED	165
FT-124 LED	154
FT-125 LED	188
FT-130 LED	68-69
FT-140 LED	118-119
FT-141 LED	106
FT-141 A LED	106
FT-145 LED	107
FT-146 LED	96
FT-147 LED	90
FT-150 DF N LED	20-21

PRODUCT NAME	PAGE
FT-151 LED	16-17
FT-160 LED	184-185
FT-161 LED	180
FT-170 LED	64-67
FT-190 LED	87
FT-195 LED	108
FT-200 LED	14-15
FT-200 C LED	14-15
FT-200 N LED	14-15
FT-205 LED	18
FT-210 LED	13
FT-210 C LED	13
FT-210 N LED	13
FT-213 LED	50
FT-214 LED	150, 162
FT-222 LED	70
FT-223 LED	165
FT-224 LED	155
FT-225 LED	188
FT-230 LED	52-53
FT-260 LED	173
FT-261 LED	172
FT-262 LED	168
FT-263 LED	170
FT-263/1 LED	171
FT-270 LED	54-55
FT-277 LED	46-47
FT-300 LED	39
FT-313 LED	42
FT-314 LED	149, 160
FT-320 LED	51
FT-330 LED	71
FT-331 LED	189
FT-332 LED	161
FT-340/341 LED	59
FT-350 LED	41
FT-360 LED	30
FT-361 LED	31
FT-362/363 LED	28
FT-364/365 LED	29
FT-370 LED	56-57
FT-371 LED	58
FT-372 LED	43
FT-400 LED	163
FT-410 LED	151
FT-500 LED	60-63
FT-600/610 LED	48-49

PRODUCT NAME	PAGE
FT-700 LED	44-45
KAT FT-004	199
KAT FT-017/FT-018	199
KAT FT-019	199
KAT FT-020	199
KAT-FT-061	199
KAT MD-013	199
KLIN SET	198
KUWETA WARSZTATOWA	199
LED CONTROL BOX ALU 13 12V	200
LGY 2x0,75	199
LGY 2x150	199
MAG FT-036	198
MD-002	83
MD-013 K LED	139
MD-013 LED	138
MD-016	82
MD-035	166
MD-040	156
Ośłona lampy MAŁA	84
Ośłona lampy DUŻA	85
QS075 z przewodem 2x0,75	198
QS075/QS075	198
QS075/QS150	198
QS150 z przewodem 2x0,75	198
QS150/QS150	198
FT-036 RAM B	201
FT-036 RAM CZ	201
FT-036 RAM C	201
FT-036 RAM ZIEL	201
FT-036 RAM SZ	201
FT-036 RAM Z	201
FT-036 RAM MIX	201
STYK FT-010 /FT-011 100	198
TRZPIEŃ 1	198
TRZPIEŃ 2	198
TRZPIEŃ 3	198
TRZPIEŃ 4	198
Uchwyt „OMEGA”	198
Uchwyt „OMEGA” INOX	198
WTY 13PIN	200
WTY 7PIN	200
WTY ADAPTER 13PIN/ 7PIN	200
WTY ADAPTER 7PIN/ 13PIN	200
WTY AMP 7PIN M10	199
WTY BAJONET L M10	199
WTY BAJONET P M10	199

Fristom

Your lamp
supplier for:

- trucks
- agricultural machines
- semi-trailers and trailers
- construction machines



www.fristom.com

