

## FT-350 LED

3-functional LED rear lamp

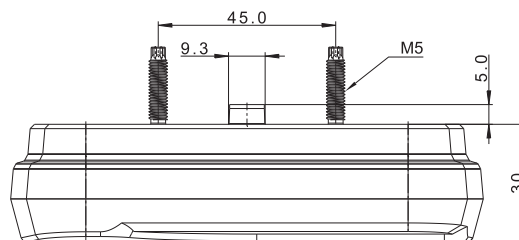
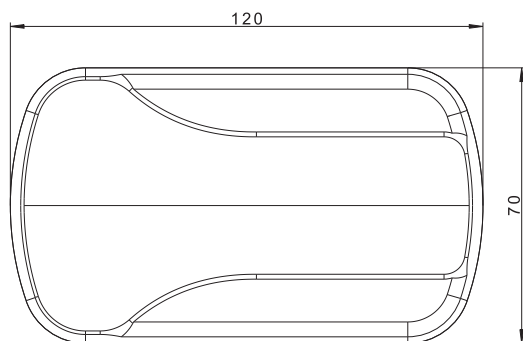
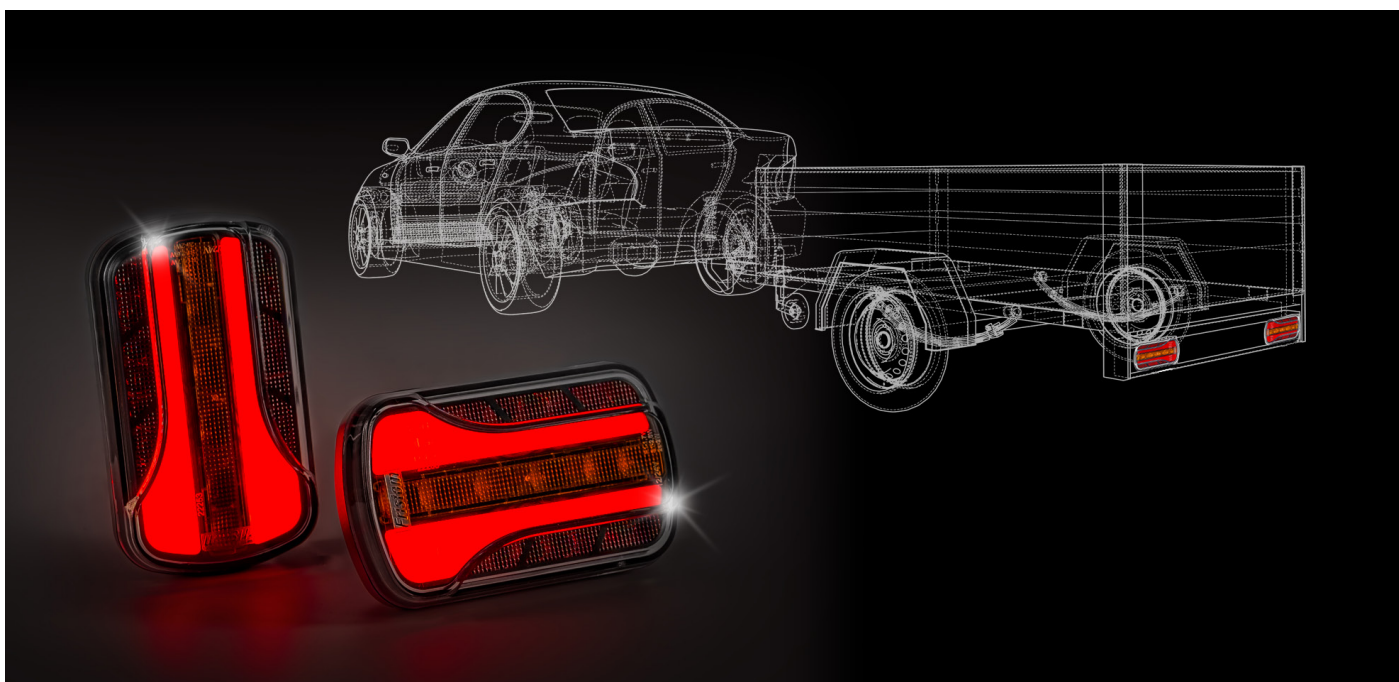
### Power consumption:

- rear position light: 12V/24V = 0.14A/0.07A
- STOP light: 12V/24V = 0.22A/0.11A
- indicator: 12V/24V = 0.16A/0.08A

### Power consumption / Rated power:

- rear position light: 12V/24V = 1.7W/1.7W
- STOP light: 12V/24V = 2.6W/2.6W
- indicator: 12V/24V = 2W/2W

• Vertical / horizontal approval



FT-350 LED

Universal LED 3-functional rear lamp, 12/36V, POSITION, STOP, INDICATOR, 12/36V, cable 1m.