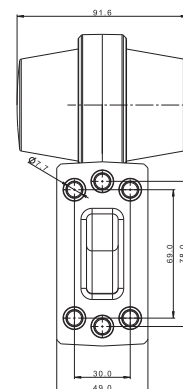
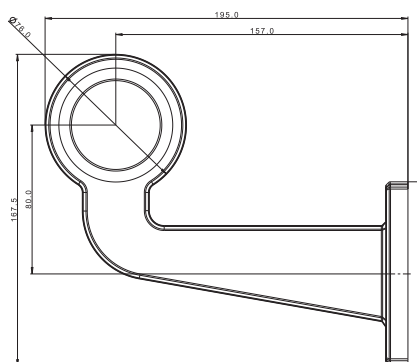
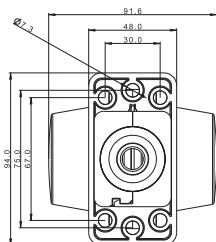
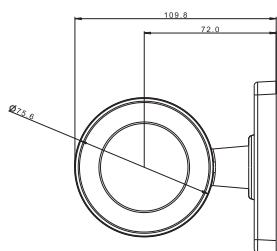


**FT-147 LED**

**NEW**  
series

of end outline  
marker  
lamps

Retro  
Design



<b>FT-147 A B/C LED</b>	End outline marker lamp LED, 12-36V, white/red, on a short straight rubber bracket with a cable 0,45m.
<b>FT-147 A C/Z LED</b>	End outline marker lamp (decorative) LED, 12-36V red/yellow, on a short straight rubber bracket with a cable 0,45m.
<b>FT-147 A Z/Z LED</b>	End outline marker lamp (decorative) LED, 12-36V, yellow/yellow, on a short straight rubber bracket with a cable 0,45m.
<b>FT-147 F L B/C LED</b>	End outline marker lamp LED, left, 12-36V, white/red, on a long L-shaped rubber bracket with a cable 0,3m.
<b>FT-147 F P B/C LED</b>	End outline marker lamp LED, right, 12-36V, white/red, on a long L-shaped rubber bracket with a cable 0,3m.
<b>FT-147 F L C/Z LED</b>	End outline marker lamp (decorative) LED, left, 12-36V, red/yellow, on a long L-shaped rubber bracket with a cable 0,3m.
<b>FT-147 F P C/Z LED</b>	End outline marker lamp (decorative) LED, right, 12-36V, red/yellow, on a long L-shaped rubber bracket with a cable 0,3m.
<b>FT-147 F Z/Z LED</b>	End outline marker lamp (decorative) LED, 12-36V, yellow/yellow, on a long L-shaped rubber bracket with a cable 0,3m.