

## FT-364 LED / FT-365 LED

A new series of universal work lamps.

- **FT-364 LED** – beam angle 60°. Enables intense illumination of a short-range working area. obszaru roboczego o niewielkim zasięgu.
- **FT-365 LED** – beam angle 10°. A narrow beam of light allows for precise illumination of distant areas.

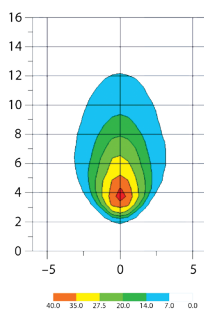
Current consumption: **12V/24V = 1.8A/0.9A**

Rated Power: **22 W**

Light color temperature approx. **5700K**

Lamp luminous flux after 5 minutes **2500 lm**  
(minimum flux **2200 lm**)

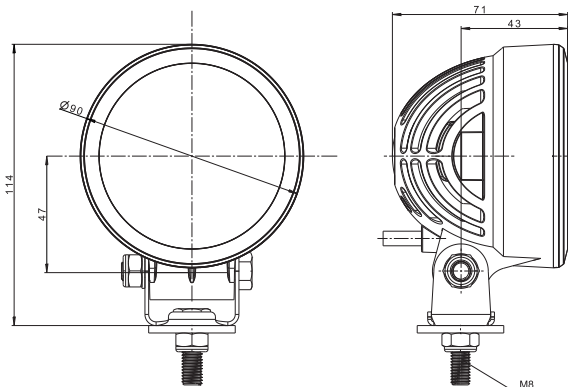
The lamp is completely waterproof **IP69**



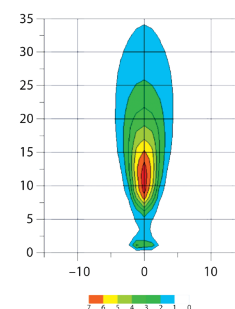
FT-364 LED



**2500 LM**



FT-365 LED



<b>FT-364 LED</b>	LED work lamp, round, wide luminous flux, 2500 lm, cable 1.5 m.
<b>FT-364 DS LED</b>	LED work lamp, round, wide luminous flux, 2500 lm with a Deutsch Stecker socket.
<b>FT-364 LED MAG M30</b>	LED work lamp, round, wide luminous flux, 2500 lm, magnetic joint holder. The lamp is additionally equipped with a 3 m long spiral lead (in spiral 0.6 m) with a standard 12/24 V cigarette lighter socket plug.
<b>FT-364 LED MAG M78</b>	LED work lamp, round, wide luminous flux, 2500 lm, magnetic joint holder. The lamp is additionally equipped with a 7,8 m long spiral lead (in spiral 1.2 m) with a standard 12/24 V cigarette lighter socket plug.
<b>FT-365 LED</b>	LED work lamp, round, focused light beam, 2500 lm, cable 1.5 m.
<b>FT-365 DS LED</b>	LED work lamp, round, focused light beam, 2500 lm with a Deutsch Stecker socket.
<b>FT-365 LED MAG M30</b>	LED work lamp, round, focused light beam, 2500 lm, magnetic joint holder. The lamp is additionally equipped with a 3 m long spiral lead (in spiral 0.6 m) with a standard 12/24 V cigarette lighter socket plug.
<b>FT-365 LED MAG M78</b>	LED work lamp, round, focused light beam, 2500 lm, magnetic joint holder. The lamp is additionally equipped with a 7,8 m long spiral lead (in spiral 1.2 m) with a standard 12/24 V cigarette lighter socket plug.