

FT-065 LED

Universal LED lamp

Lamps FUNCTIONS:

- clearance light

Depending on the light color:

- **front** clearance light with reflector
- **rear** clearance light with reflector
- **side** clearance light with reflector

- Vertical / horizontal approval

Power consumption:

- **front** clearance light with reflector: 12V/24V = 0.025A/0.025A
- **rear** clearance light with reflector: 12V/24V = 0.05A/0.05A
- **side** clearance light with reflector: 12V/24V = 0.025A/0.025A

Power consumption / Rated power:

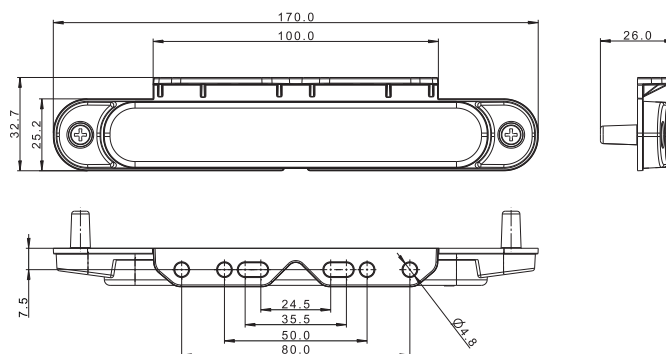
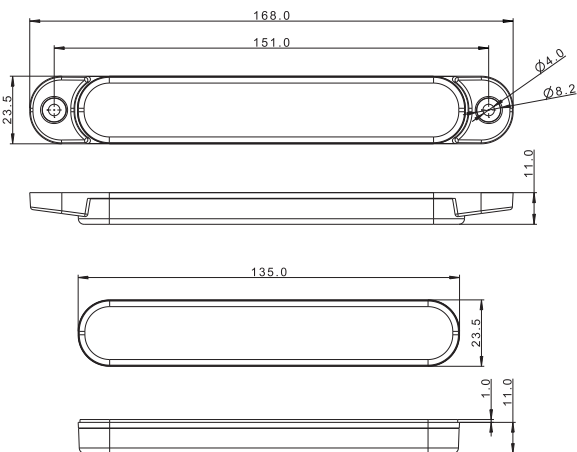
- **front** clearance light with reflector: 12V/24V = 0.3W/0.6W
- **rear** clearance light with reflector: 12V/24V = 0.6W/1.2W
- **side** clearance light with reflector: 12V/24V = 0.3W/0.6W

FT-065 LED TAPE



FT-065 Z+K LED

FT-065 LED



FT-065 B LED	Clearance lamp LED 12-36V, white with reflector and cable 0,5m.
FT-065 C LED	Clearance lamp LED 12-36V, red with reflector and cable 0,5m.
FT-065 Z LED	Clearance lamp LED 12-36V, yellow with reflector and cable 0,5m.
FT-065 B+K LED	Clearance lamp LED 12-36V, white with reflector and an angle holder, 0,5m cable.
FT-065 C+K LED	Clearance lamp LED 12-36V, red with reflector and an angle holder, 0,5m cable.
FT-065 Z+K LED	Clearance lamp LED 12-36V, yellow with reflector and an angle holder, 0,5m cable.
FT-065 B LED TAPE	Clearance lamp LED 12-36V, white with reflector, mounting on self-adhesive tape, 0,5m cable.
FT-065 C LED TAPE	Clearance lamp LED 12-36V, red with reflector, mounting on self-adhesive tape, 0,5m cable.
FT-065 Z LED TAPE	Clearance lamp LED 12-36V, yellow with reflector, mounting on self-adhesive tape, 0,5m cable.

Lamp versions are available with QS075 or QS150.