

US SAE approval

## FT-062 LED

Universal LED lamp

### lamps **FUNCTIONS:**

- clearance light

Depending on the light color:

- **front** clearance light
- **rear** clearance light
- **side** clearance light
- Vertical / horizontal approval

**Power consumption:**

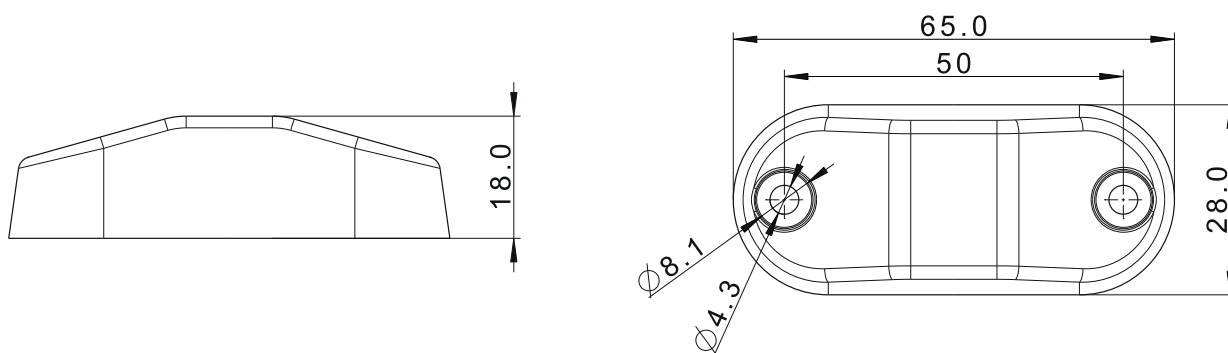
- **front** clearance light: 12V/24V = 0.025A/0.025A
- **rear** clearance light: 12V/24V = 0.05A/0.05A
- **side** clearance light: 12V/24V = 0.025A/0.025A

**Power consumption / Rated power:**

- **front** clearance light: 12V/24V = 0.3W/0.6W
- **rear** clearance light: 12V/24V = 0.6W/1.2W
- **side** clearance light: 12V/24V = 0.3W/0.6W



The lamp has European **E9** and American **SAE** approval.



<b>FT-062 B LED</b>	Clearance Lamp LED 12-36V, white, cable 0,15m.
<b>FT-062 C LED</b>	Clearance Lamp LED 12-36V, red, cable 0,15m.
<b>FT-062 Z LED</b>	Clearance Lamp LED 12-36V, yellow, cable 0,15m.
<b>FT-062 B LED DARK</b>	Clearance Lamp LED 12-36V, white, DARK version, cable 0,15m.
<b>FT-062 C LED DARK</b>	Clearance Lamp LED 12-36V, red, DARK version, cable 0,15m.
<b>FT-062 Z LED DARK</b>	Clearance Lamp LED 12-36V, yellow, DARK version, cable 0,15m.