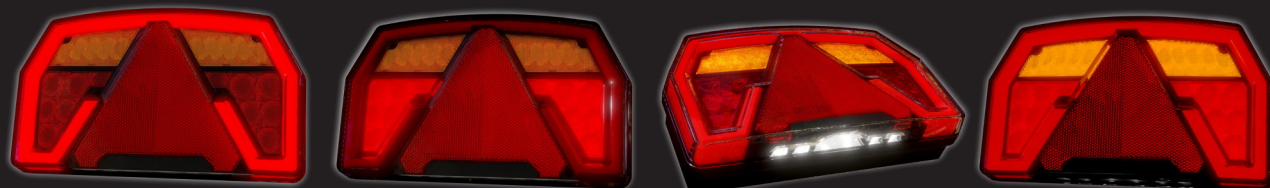


# 3-FUNCTIONAL UNIVERSAL LED REAR LAMP



**FT-371 LED 12V**



- European **E9** homologation
- ElectroMagnetic Compatibility  
– EMC certificate
- Shock-resistance – PC lampshade
- Reverse polarity protection system

#### Lamp functions:

- rear position light
- STOP light
- indicator
- number plate light - bottom  
(depending on the version\*)
- reflector (triangle) **kat. IIIA**

#### Technical specification:

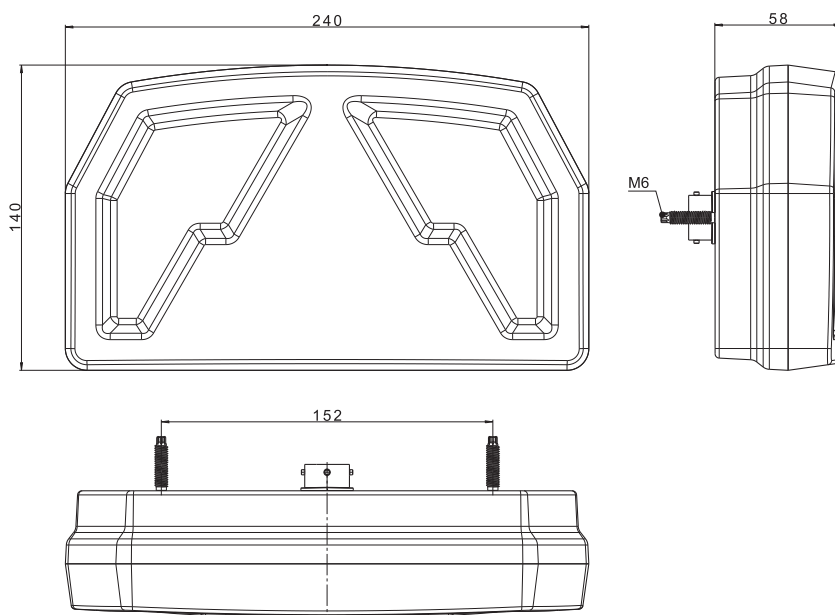
- supply voltage: **12–15V DC**
- operating temperature: **-40°C to +55°C**
- lamp is resistant to any weather conditions
- lamp is fully airtight **IP68**

#### Power consumption:

- rear position light: **12V – 0.5A**
- STOP light: **12V – 0.5A**
- indicator: **12V – 1.2A**

#### Power consumption / Rated power:

- rear position light: **12V – 6W**
- STOP light: **12V – 6W**
- indicator: **12V – 15W**



SYSTEM  
**CANBUS**