

## FT-061 LED

FT-061 Z+K LED



Universal LED lamp – low power consumption

### lamps **FUNCTIONS:**

- clearance light

Depending on the light color:

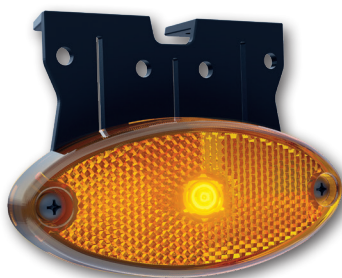
- **front** clearance light with reflector
- **rear** clearance light with reflector
- **side** clearance light with reflector
- Vertical / horizontal **approval**

**Power consumption:**

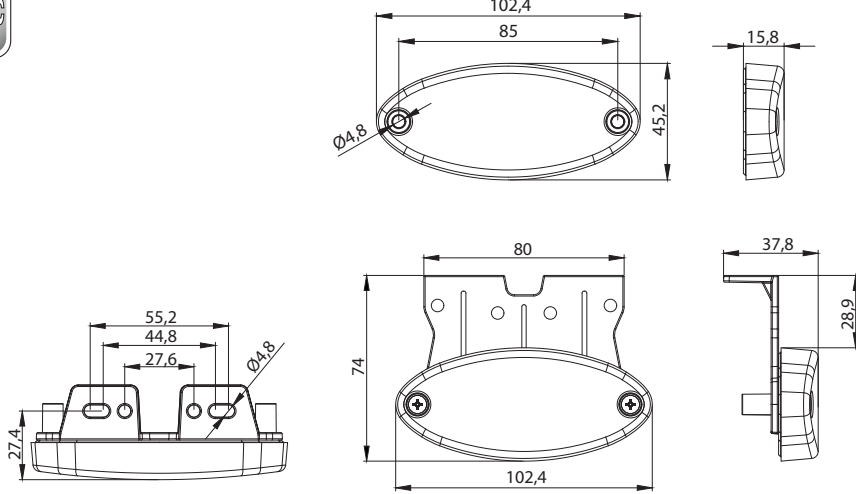
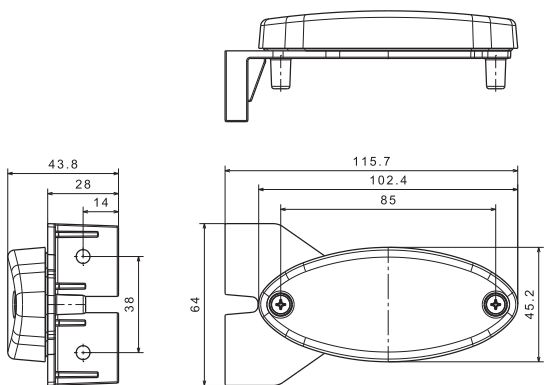
- 12V/24V = 0.04A/0.04A

**Power consumption / Rated power:**

- 12V/24V = 0.5W/1W



FT-061 BI LED



<b>FT-061 B LED</b>	Clearance Lamp LED 12-36V, white with reflector and a loom 0,5m.
<b>FT-061 C LED</b>	Clearance Lamp LED 12-36V, red with reflector and a loom 0,5m.
<b>FT-061 Z LED</b>	Clearance Lamp LED 12-36V, yellow with reflector and a loom 0,5m.
<b>FT-061 B+K LED</b>	Clearance Lamp LED 12-36V, white with reflector and an angle holder, cable 0,5m.
<b>FT-061 C+K LED</b>	Clearance Lamp LED 12-36V, red with reflector and an angle holder, cable 0,5m.
<b>FT-061 Z+K LED</b>	Clearance Lamp LED 12-36V, yellow with reflector and an angle holder, cable 0,5m.
<b>FT-061 BI LED</b>	Clearance Lamp LED 12-36V, white with reflector, side angle bracket and a loom 0,5m.
<b>FT-061 CI LE</b>	Clearance Lamp LED 12-36V, red with reflector, side angle bracket and a loom 0,5m.

**Lamp versions are available with QS075 or QS150.**