

FT-069 LED

1-functional universal LED lamp – low power consumption
Reverse polarity protection system

lamps **FUNCTIONS:**

- clearance light

Power consumption:
12V/24V = 0,04A/0,04A

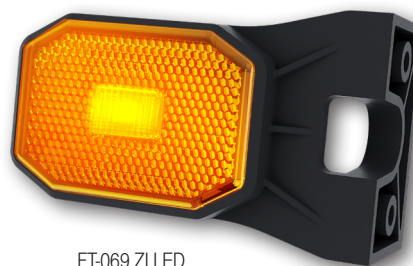
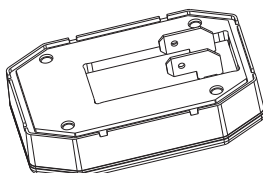
Power consumption / Rated power:
12V/24V = 0,5W/1,0W

- The lamp is available in 2 color versions: white / yellow
- Vertical / horizontal approval
- **Available in 3 variants:**
 - flat mounting, short angle bracket, long angle bracket
- Replaceable light insert
- Lamp without cable, with F1 contacts
- 1-functional lamp with reflector
- **EMC**
- Easy to assemble

FT-069 B LED



FT-069 BIV LED



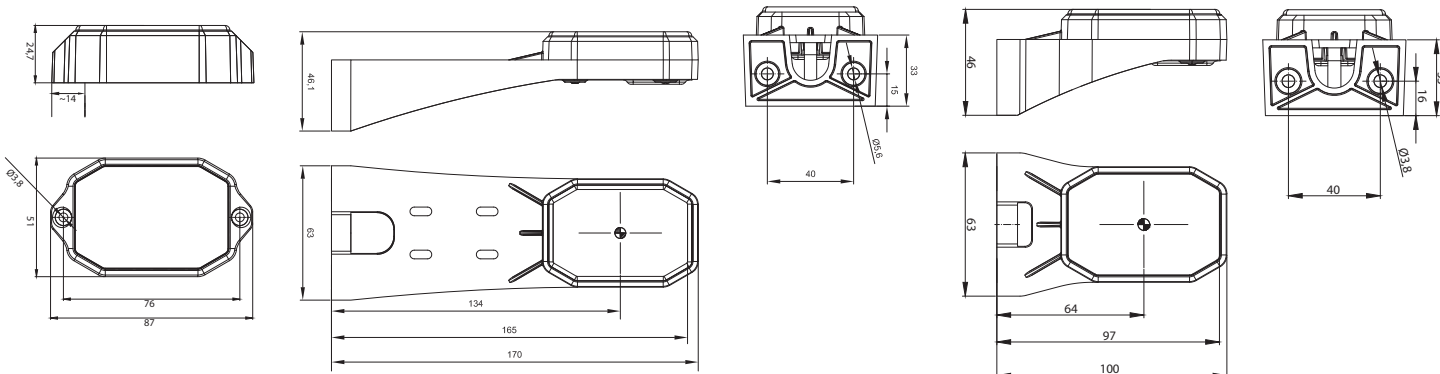
FT-069 ZI LED

SET CONTAINS:

- clearance lamp
- set of female contacts
- mounting screws



Replace bulbs to LED



FT-069 B LED	White LED clearance lamp with a reflector, flat mounting, without cable.
FT-069 BI LED	White LED clearance lamp with a reflector, an angle short holder, without cable.
FT-069 BIV LED	White clearance LED lamp with a reflector, an angle long holder and without cable.
FT-069 Z LED	Yellow LED clearance lamp with a reflector, flat mounting, without cable.
FT-069 ZI LED	Yellow LED clearance lamp with a reflector, an angle short holder, without cable.
FT-069 ZIV LED	Yellow clearance LED lamp with a reflector, an angle long holder and without cable.
WKLAD FT-069 B LED	White LED clearance lamp insert with a reflector, without cable.
WKLAD FT-069 Z LED	Yellow LED clearance lamp insert with a reflector, without cable.