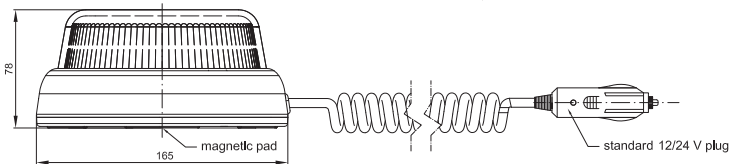
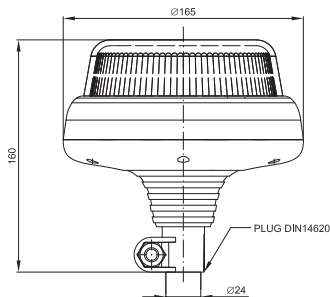
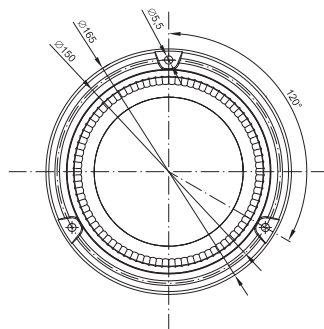
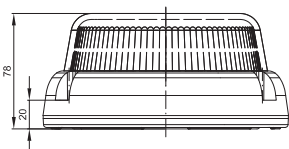


FT-101 LED

WARNING lamp

Technical specification:

- universal supply voltage: 12 – 36V DC
- **Power consumption: 12V/24V**
Peak power consumption: 0.5A/0.25A
FT-101 LED / FT-101 LED DF: 1.5A/0.8A
- Peak/average rated power: 12V/24V – 6W/6W
FT-101 LED / FT-101 LED DF: 12V/24V – 18W/20W
- special warning lamp approval compliant with **ECE Regulation 65 (TA1)**
- flash frequency: **f = 2Hz**
- ElectroMagnetic Compatibility – **EMC** certificate
- full waterproofness (**IP68**)
- shock-resistance – **IK**
- operating temperature: **-40°C to +55°C**
- reverse polarity protection system
- fixed polarisation: **GROUND** – white wire;
(+) – black wire



FT-101 3S DF LED	Yellow LED warning beacon, double flash , mounted on 3 screws, cable's length 1.5 m.
FT-101 DF LED MAG M30	Yellow LED warning beacon, double flash , portable version mounted on a magnet pad. The lamp is equipped with a spiral cable (unfolded - 3 m, in spiral - 0.6 m) and a standard 12/ 24V lighter plug.
FT-101 DF LED MAG M78	Yellow LED warning beacon, double flash , portable version mounted on a magnet pad. The lamp is equipped with a spiral cable (unfolded - 7,8m, in spiral - 1,2 m) and a standard 12/ 24V lighter plug.
FT-101 DF LED PI	Yellow LED warning beacon, double flash . The lamp appears in a stationary version with a pipe-socket.
FT-101 SC DF LED	Yellow LED warning beacon, double flash , mounted on central screw, version with a single bolt and a loom.
FT-101 3S RO LED	Yellow LED warning beacon, rotation flash , mounted on 3 screws, cable's length 1.5 m.
FT-101 RO LED MAG M30	Yellow LED warning beacon, rotation flash , portable version mounted on a magnet pad. The lamp is equipped with a spiral cable (unfolded – 3 m, in spiral – 0.6 m) and a standard 12/ 24V lighter plug.
FT-101 RO LED MAG M78	Yellow LED warning beacon, rotation flash , portable version mounted on a magnet pad. The lamp is equipped with a spiral cable (unfolded – 7.8m, in spiral – 1.2m) and a standard 12/ 24V lighter plug.
FT-101 RO LED PI	Yellow LED warning beacon, rotation flash . The lamp appears in a stationary version with a pipe-socket.
FT-101 3S LED	Yellow LED warning beacon, single flash , mounted on 3 screws, cable's length 1.5 m.
FT-101 LED MAG M30	Yellow LED warning beacon, single flash , portable version mounted on a magnet pad. The lamp is equipped with a spiral cable (unfolded - 3 m, in spiral - 0.6 m) and a standard 12/ 24V lighter plug.
FT-101 LED MAG M78	Yellow LED warning beacon, single flash , portable version mounted on a magnet pad. The lamp is equipped with a spiral cable (unfolded - 7,8m, in spiral - 1,2m) and a standard 12/ 24V lighter plug.
FT-101 LED PI	Yellow LED warning beacon, single flash . The lamp appears in a stationary version with a pipe-socket.