

FT-101 RO LED

LED lamp – low power consumption

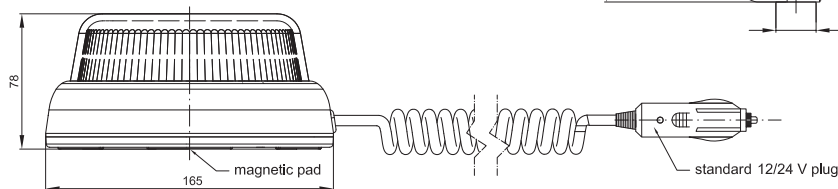
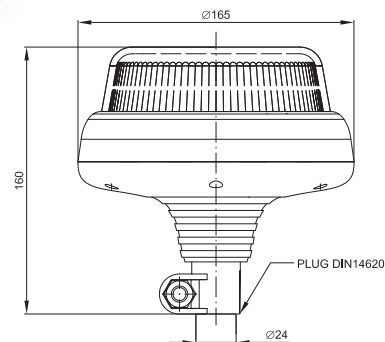
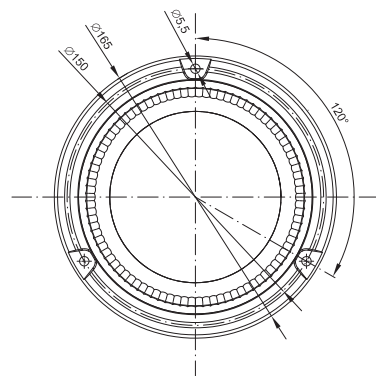
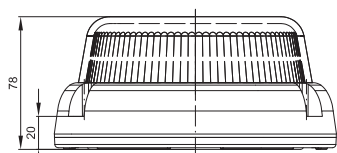
lamps **FUNCTIONS:**

- Warning lamp

Technical specification:

- universal supply voltage: 12 – 36V DC
- **Power consumption: 12V/24V/**
- **Peak power consumption: 0.5A/0.25A**
- Peak/average rated power: 12V/24V – 6W/6W
- special warning lamp approval compliant with **ECE Regulation 65 (TA1)**
- flash frequency: **f = 2Hz**
- lectroMagnetic Compatibility – **EMC** certificate
- full waterproofness (**IP68**)
- shock-resistance – **IK**
- operating temperature: **-40°C to + 55°C**
- reverse polarity protection system
- fixed polarisation: **GROUND** – white wire;
- (+) – black wire

rotation
flash



FT-101 3S RO LED	Yellow LED warning beacon, rotation flash , mounted on 3 screws, cable's length 1.5 m.
FT-101 RO LED MAG M30	Yellow LED warning beacon, rotation flash , portable version mounted on a magnet pad. The lamp is equipped with a spiral cable (unfolded – 3 m, in spiral – 0.6 m) and a standard 12/ 24V lighter plug.
FT-101 RO LED MAG M78	Yellow LED warning beacon, rotation flash , portable version mounted on a magnet pad. The lamp is equipped with a spiral cable (unfolded – 7.8m, in spiral – 1.2m) and a standard 12/ 24V lighter plug.
FT-101 RO LED PI	Yellow LED warning beacon, rotation flash . The lamp appears in a stationary version with a pipe-socket.