

FT-222 LED

NEW!



FT-222 LED



FT-222 T LED

- Universal **LED** rear lamp – low power consumption
- European **E9** homologation
- ElectroMagnetic Compatibility – **EMC certificate**
- Shock-resistance – **PC** lampshade
- Reverse polarity protection system
- The lamp depth is only **30 mm**
- Vertical** and **horizontal** mounting possible
- Homologation for **single** and **double** row number plate lighting

TECHNICAL SPECIFICATION:

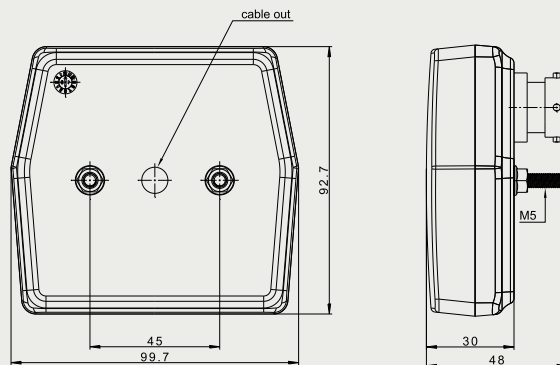
- supply voltage: **12-15V DC**
- operating temperature: **-40°C to +55°C**
- lamp is resistant to any weather conditions
- lamp is fully airtight **IP68**

POWER CONSUMPTION:

- rear position light + license plate light: **12V = 0,1A**
- version without number plate light: **12V = 0,05A**
- STOP light: **12V = 0,2A**
- indicator: **12V = 0,2A**

POWER CONSUMPTION / RATED POWER:

- rear position light + license plate light: **12V = 1,2W**
- version without number plate light: **12V = 0,6W**
- STOP light: **12V = 2,4W**
- indicator: **12V = 2,4W**



REFERENCE NUMBER	REAR POSITION LIGHT	STOP LIGHT	INDICATOR	NUMBER PLATE LIGHT	5PIN BAYONET CONNECTOR	CABLE
FT-222 LED	●	●	●			1 m
FT-222 LED BAJONET	●	●	●		●	
FT-222 T LED	●	●	●	●		1 m
FT-222 T LED BAJONET	●	●	●	●	●	

... all you need is light

BIURO:
FRISTOM
Spółka z ograniczoną odpowiedzialnością i Sp. K.
ul. Grunwaldzka 207A
POLAND, 85-451 Bydgoszcz

EXPORT:
mobile +48 609 909 456
bstaniaszek@fristom.com.pl
mobile +48 731 088 883
wtomczak@fristom.com.pl
mobile +48 607 843 275
rcardona@fristom.com.pl