

FT-400 LED **NEW!** FT-410 LED



**FOG
LAMP**

**REVERSING
LAMP**

Lamps appear in version ended with **SuperSeal** connector, thanks to it the installation with the lamp **FT-320 LED DI BAJONET +SS** is easy and comfortable.

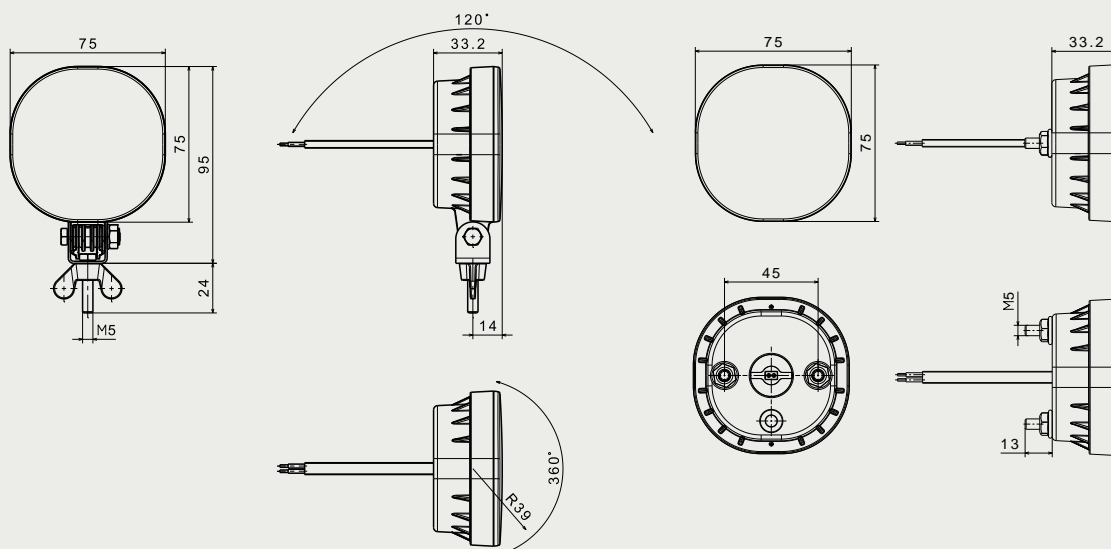
1-functional LED lamp – low power consumption
 european E9 homologation
 ElectroMagnetic Compatibility – EMC certificate, R10
 shock-resistance – PC lampshade
 optional polarity connection

Lamp functions:
 - fog light (FT-400 LED)
 - reversing light (FT-410 LED)

Parametry lampy:
 - Universal supply voltage: 12-36V DC
 - Operating temperature: -40°C do +55°C
 - Luminous flux = 200 lm (FT-410 LED)
 - Lamp is resistant to any weather conditions
 - Lamp is fully airtight

Power consumption:
 - fog light: 12V/24V = 0,25A/0,125A (FT-400 LED)
 - reversing light: 12V/24V = 0,25A/0,125A (FT-410 LED)

Power consumption (rated power):
 - fog light: 12V/24V = 3W/3W (FT-400 LED)
 - reversing light: 12V/24V = 3W/3W (FT-410 LED)



... all you need is light

BIURO:
 FRISTOM
 Spółka z ograniczoną odpowiedzialnością i Sp. K.
 ul. Grunwaldzka 207A
 POLAND, 85-451 Bydgoszcz

EXPORT:
 mobile +48 609 909 456
 bstaniaszek@fristom.com.pl
 mobile +48 607 843 275
 wsaran@fristom.com.pl