

FT-263 LED



RECESSED license plate LAMP

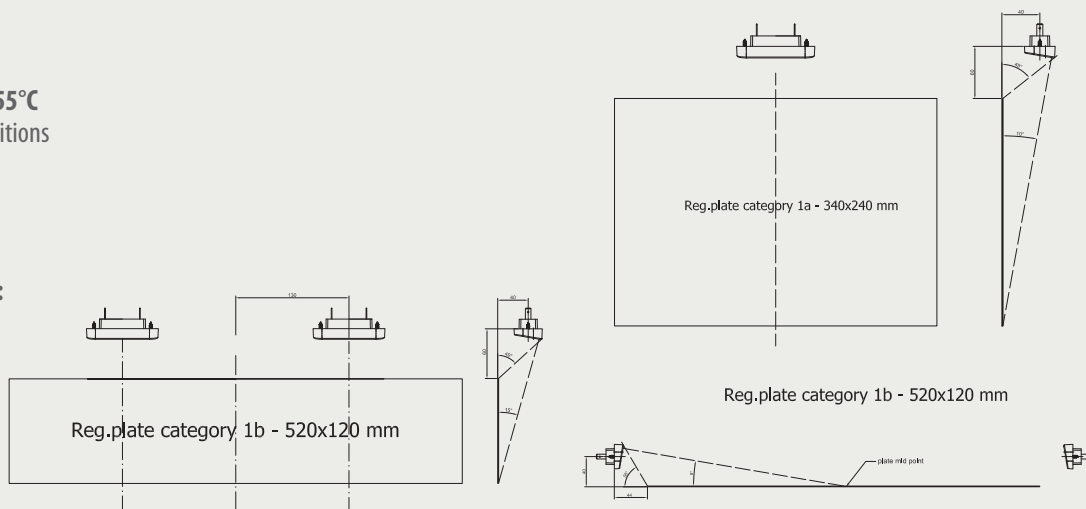
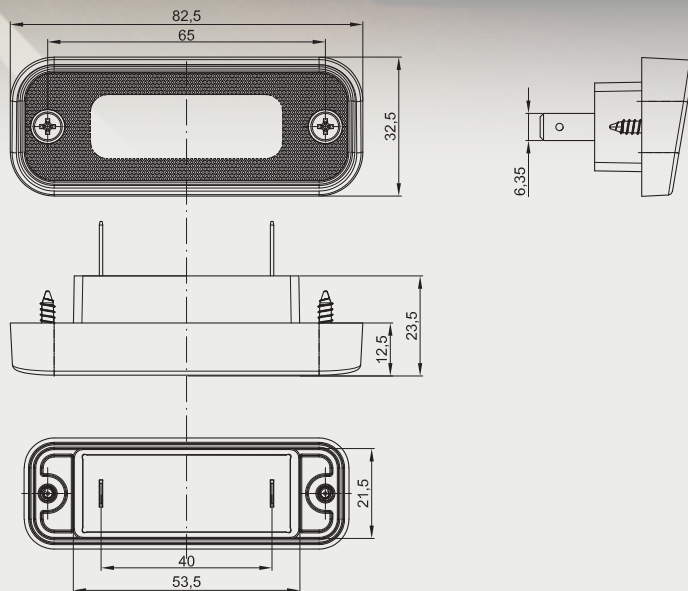
- 1-functional number plate LED lamp – low power consumption
- European E9 homologation
- ElectroMagnetic Compatibility – EMC certificate
- Shock-resistance – PC lampshade
- Optional polarity connection

Lamp functions:
- license number plate light

- Technical specification:**
- supply voltage: 12–36V DC
 - operating temperature: -40°C do +55°C
 - lamp is resistant to any weather conditions
 - lamp is fully airtight

Power consumption:
- 12V/24V = 0,05A/0,05A

Power consumption / Rated power:
- 12V/24V = 0,6W/1,2W



... all you need is light

BIURO:
FRISTOM
Spółka z ograniczoną odpowiedzialnością i Sp. K.
ul. Grunwaldzka 207A
POLAND, 85-451 Bydgoszcz

EXPORT:
mobile +48 609 909 456
bstaniaszek@fristom.com.pl
mobile +48 731 088 883
wtomczak@fristom.com.pl
mobile +48 607 843 275
rcardona@fristom.com.pl