

FT-130 PM LED FT-130 COF LED

- 6-functional universal LED rear lamp - low power consumption
- european homologation **E9**
- ElectroMagnetic Compatibility (**EMC**) homologation
- shock-resistance – **PC** lampshade
- reverse polarity protection system

Lamp functions:

- rear running light
- number plate light homologated on an universal performance 34.4 mm <<X>> 102.2 mm
- **STOP** light
- indicator
- fog light (**FT-130 PM LED**) or reversing (**FT-130 COF LED**) light (depending on the product version)
- reflector

Technical specification:

- supply voltage: **12-36V DC**
- operating temperature: – **40°C to +55°C**
- lamp is resistant to any weather conditions
- lamp is fully airtight

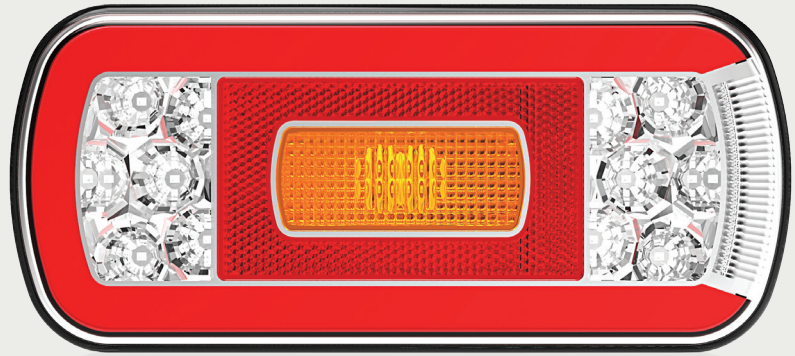
Power consumption:

- rear running light + number plate light – **12V/ 24V = 0,25/ 0,21A**
- **STOP** light – **12V/ 24V = 0,08A/0,08A**
- indicator – **12V/ 24V = 0,11A/0,11A**
- fog light – **12V/ 24V = 0,12A/ 0,6A**
- reversing light – **12V/ 24V = 0,28A/ 0,14A**

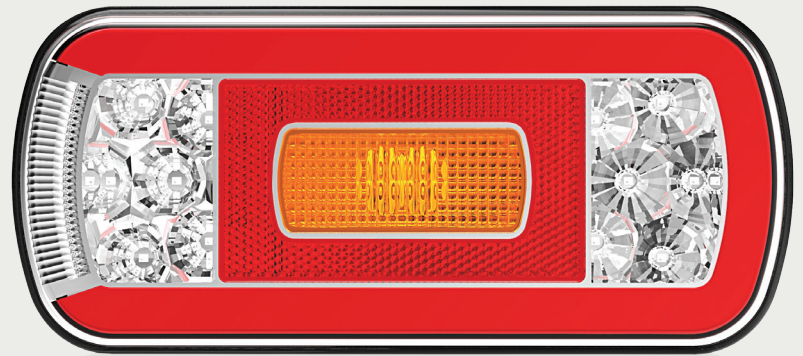
Power consumption / Rated power:

- rear running light + number plate light – **12/ 24V = 3W/ 5W**
- **STOP** light – **12V/ 24V = 1W/ 2W**
- indicator – **12V/ 24V = 1,5W/ 3W**
- fog light – **12V/ 24V = 1,5W/1,5W**
- reversing light – **12/ 24V = 3,5W/3,5W**

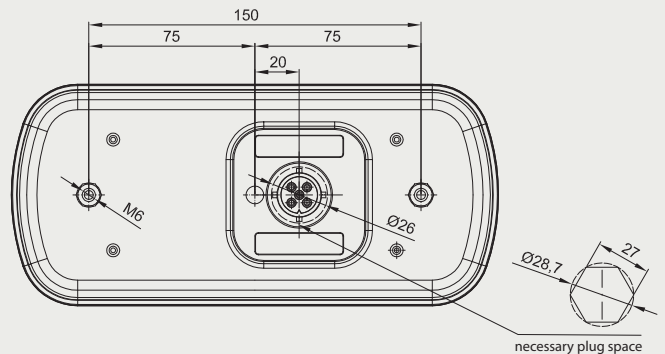
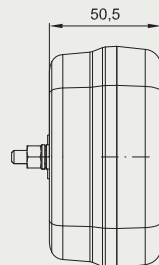
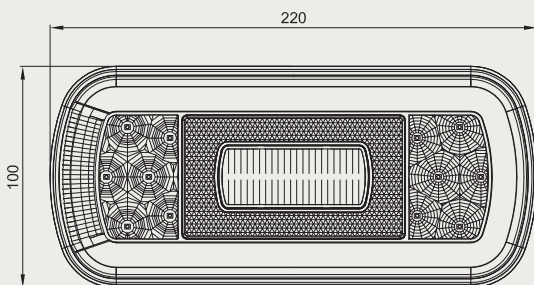
FT-130 PM LED



FT-130 COF LED



FT-130 COF BAJONET



... all you need is light